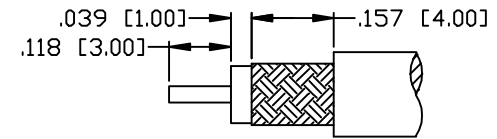
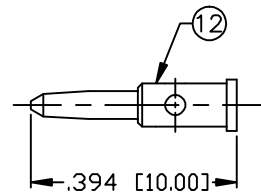
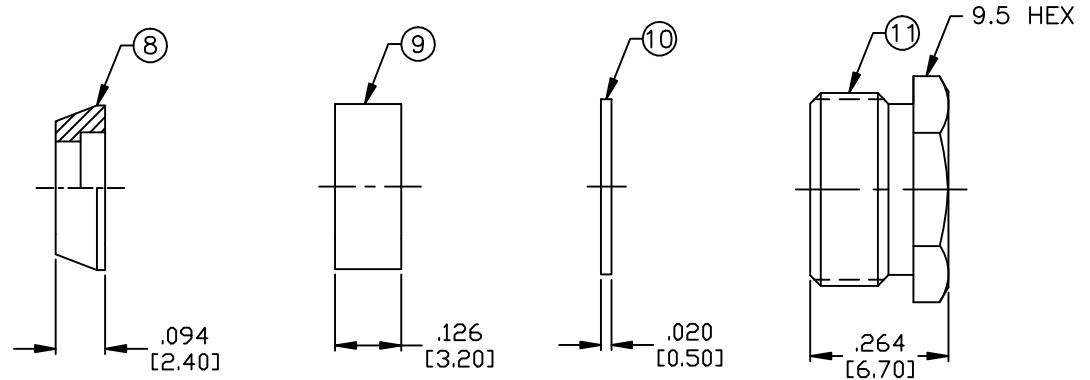
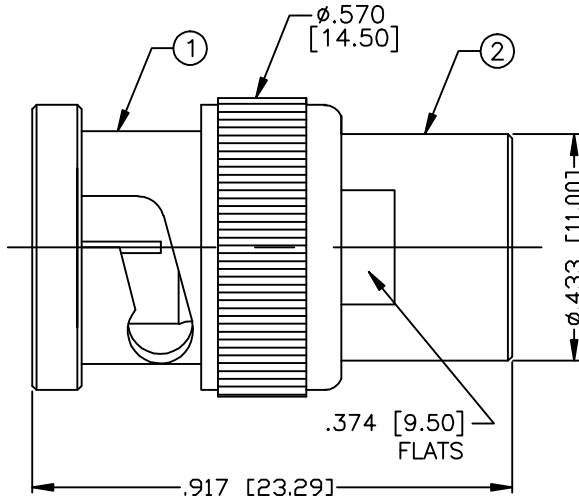


THIS DRAWING CONTAINS INFORMATION PROPRIETARY TO RF INDUSTRIES.
 ANY UNAUTHORIZED USE OF THIS DRAWING IS EXPRESSLY PROHIBITED
 WITHOUT WRITTEN PERMISSION FROM RF INDUSTRIES.
 ANY VIOLATION IS PUNISHABLE UNDER U.S. COPYRIGHT LAWS.

ALL DIMENSIONS ARE REFERENCE ONLY

PART NO.		RFB-1100-2ST		
REV	DESCRIPTION	DWN	DATE	APPROVED
A	ENGINEERING RELEASE	CZS	7/23/99	R. RICE
B	CHANGE ALL OVER DIMS, SPECS, FORMAT & DWG. # 9215	GGG	1/15/02	JDMc



SPECIFICATIONS:

IMPEDANCE: 50 Ohms
 FREQUENCY RANGE: 0-4 GHz
 VSWR: 1.3 Max.
 WORKING VOLTAGE: 500 V rms @ sea level
 TEMPERATURE RANGE: -65°C TO 85°C
 INSULATION RESISTANCE: 5k M Ohms min.
 FOR RG-58, 58A, 58C, 141, 141A, BELDEN 8240,
 8262, 9201, 9203, 9310, 9311 & COMM/SCOPE 0268

RECOMMENDED CRIMP DIE: .068

RECOMMENDED STRIPPING DIM'S

1	SHELL	1	BRASS	SILVER, 80 μ"
2	BODY	1	BRASS	SILVER, 80 μ"
3	INSULATOR	1	PTFE	---
4	GASKET	1	RUBBER	---
5	RETAINER RING	1	BRASS	NICKEL, 100 μ"
6	SPRING	1	SK5	NICKEL, 200 μ"
7	WASHER	1	BRASS	SILVER, 80 μ"
8	CLAMP	1	BRASS	SILVER, 80 μ"
9	GASKET	1	SILICONE	---
10	WASHER	1	BRASS	SILVER, 80 μ"
11	BACK NUT	1	BRASS	SILVER, 80 μ"
12	PIN	1	BRASS	GOLD, 3 μ"
13				
14				
#	DESCRIPTION	QTY	MATRL	FINISH

008974	
DRAWN	G. GALLEGOS
CHECKED	1/15/02
ORJ DRAWN	C. ZUNIGA
	7/23/99
APPROVALS	DATE

UNLESS OTHERWISE SPECIFIED:
 1. REMOVE ALL BURRS
 2. BREAK ALL CORNERS & EDGES .005 R. MAX.
 3. CHAMFER 1ST & LAST THREADS 45°
 4. SURFACE ROUGHNESS 63 FINISH MIL-STD-10
 5. DIAMETERS ON COMMON CENTERS TO BE CONCENTRIC WITHIN .002 T.I.R.
 6. ALL DIMENSIONS ARE AFTER PLATING.

DIMENSIONS ARE IN INCHES AND [MILLIMETERS]
 UNLESS OTHERWISE NOTED TOLERANCES ARE:
 DECIMALS .xxx±.003 [.08]
 .xx±.005 [.13]
 DIAMETER .xxx±.001 [.03]
 .xx±.003 [.08]

RF connectors 7610 MIRAMAR RD
 SAN DIEGO, CA 92126
 (858) 549-6340
 (858) 549-6345 FAX
 DIVISION OF RF INDUSTRIES, LTD.

BNC PLUG, CLAMP

SIZE	CABLE GROUP	DWG NO.	REV
A	C	RFB-1100-2ST	B
SCALE: NTS		CAD FILE OUTLINE	SHEET 1 OF 1