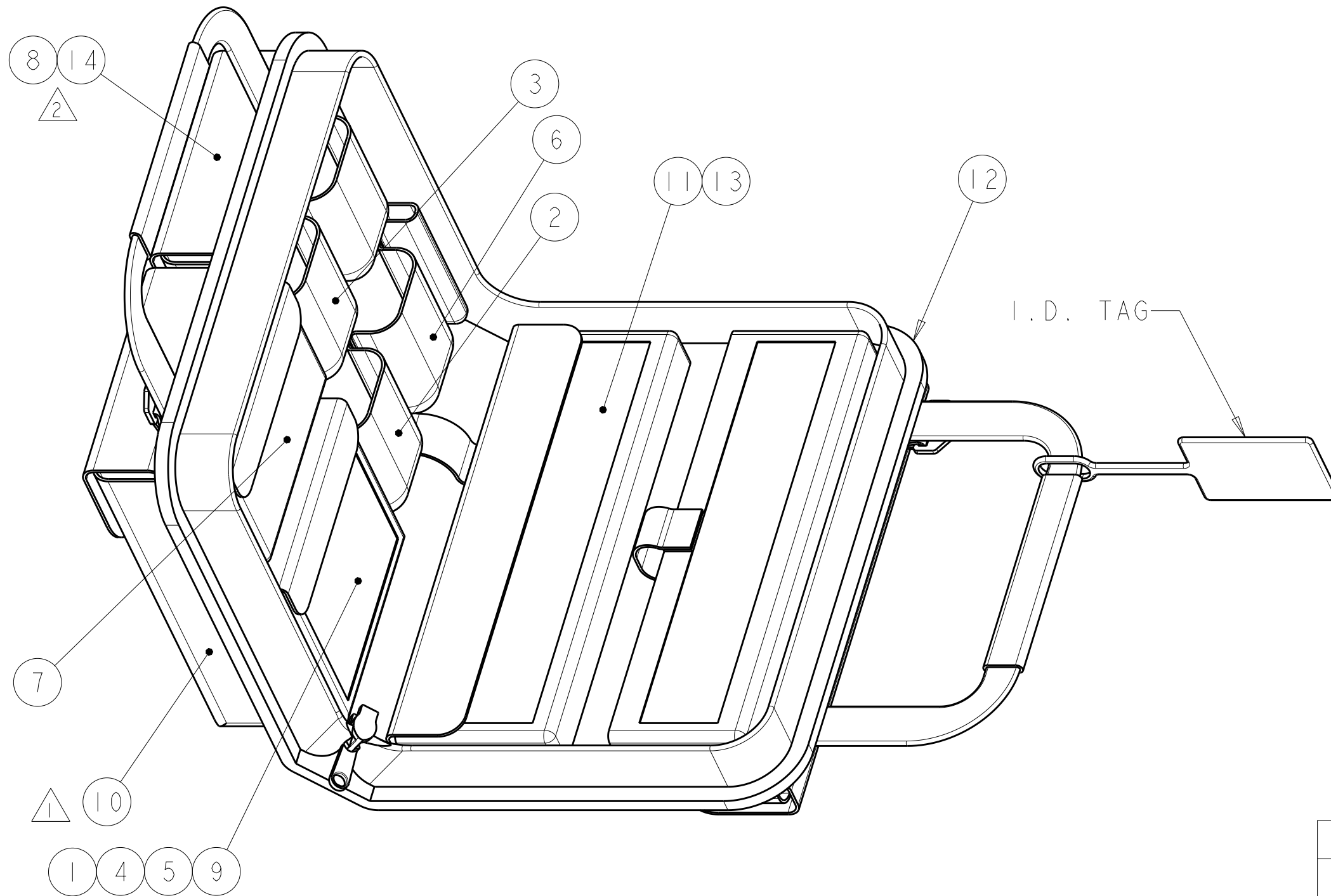


THIS DRAWING IS UNPUBLISHED. RELEASED FOR PUBLICATION 20
 © COPYRIGHT 20 BY - ALL RIGHTS RESERVED.

REVISIONS				
P	LTR	DESCRIPTION	DATE	APVD
P		ECO-13-012991	14AUG2013	JM TE



- △ 1 OPTIONAL SHOULDER STRAP.
- △ 2 TE INSTRUCTION SHEETS AND MANUFACTURER'S INSTRUCTION SHEETS.

1	1	2064710-1	FIBER OPTICS CLEANING & INSPECTION GUIDE	14
1	-	1754768-1	MICROSCOPE ADAPTER, MT-RJ	13
1	1	1278540-1	PREMIUM SOFTCASE	12
1	-	1754767-1	200x MICROSCOPE	11
1	1	1871696-1	FIBER CLEAVER, SLIDE CUTTER	10
1	1	1457999-1	BALL END HEX KEY (5)	9
1	1	1374503-1	CD ROM, TERMINATION TRAINING	8
10	10	501857-2	ALCOHOL WIPES	7
1	1	1754708-1	FIBER STRIP TOOL	6
1	1	501198-1	JACKET STRIPPER	5
1	1	1278598-1	STRIP TEMPLATE, MT-RJ JACK	4
1	1	492109-2	STRIPPER, MICRO STRIP	3
1	1	1278637-1	ARAMID YARN SHEARS	2
25	25	1278576-1	ACTUATION KEY	1
-2	-1	PART NUMBER	DESCRIPTION	ITEM NO.

THIS DRAWING IS A CONTROLLED DOCUMENT.		DWN B. BRIGGS 16MAY2006	STE TE Connectivity
		CHK D. KIRSCH 16MAY2006	
		APVD S. BUCHTER 16MAY2006	
DIMENSIONS: mm		NAME TERMINATION KIT, MT-RJ JACK MODULE	
TOLERANCES UNLESS OTHERWISE SPECIFIED: 0 PLC ± 1 PLC ± 2 PLC ± 3 PLC ± 4 PLC ± ANGLES ± FINISH		PRODUCT SPEC - APPLICATION SPEC - WEIGHT -	
MATERIAL -		SIZE A200779	
		DRAWING NO. C-1278346	
		RESTRICTED TO -	
CUSTOMER DRAWING		SCALE NTS SHEET OF REV P	