

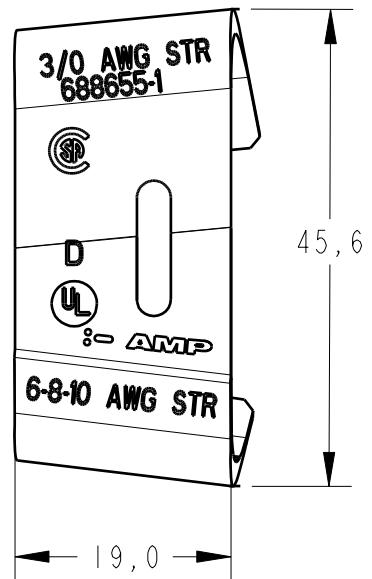
THIS DRAWING IS UNPUBLISHED.

RELEASED FOR PUBLICATION

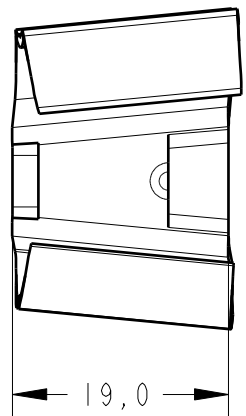
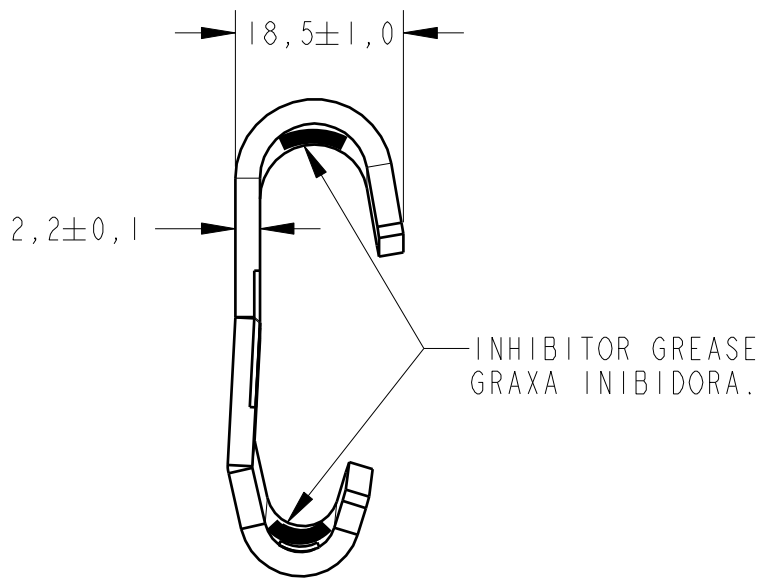
20

© COPYRIGHT 20 BY TYCO ELECTRONICS CORPORATION. ALL RIGHTS RESERVED.

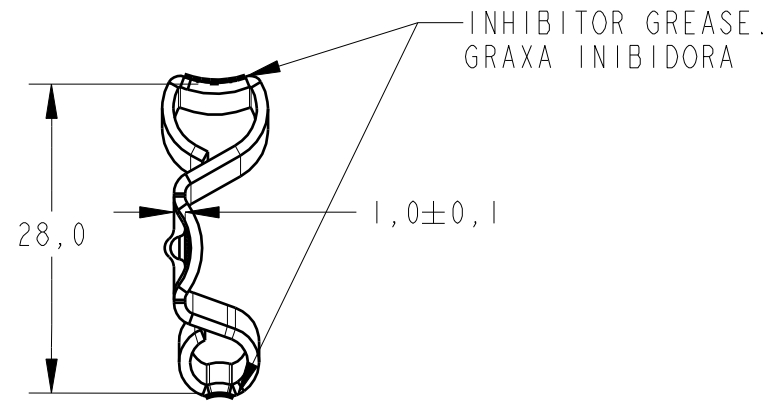
LOC	DIST	REVISIONS					
		P	LTR	DESCRIPTION	DATE	DWN	APVD
AP	-		F1	REVISED BY ECR-05-010312	28DEC2005	GO	WB
			F2	ECO-09-003259	11MAR2009	GO	WB



"C" MEMBER



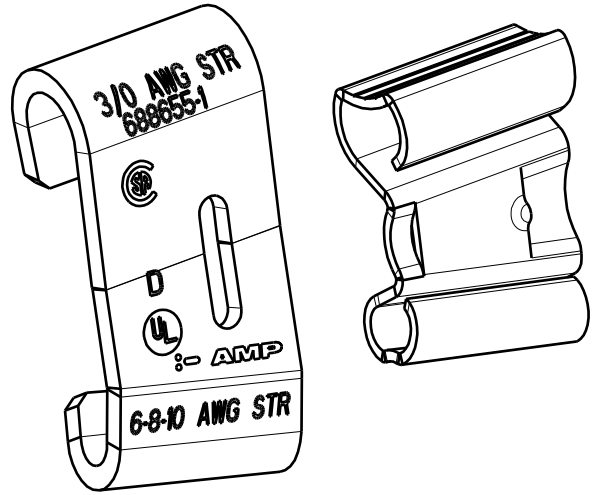
"WEDGE" MEMBER



I - SUPPLIED IN INDIVIDUAL PLASTIC PACKAGING.

I - FORNECIDO EM EMBALAGEM PLÁSTICA INDIVIDUAL.

17,00	14,75	12,74	9,50	5,10	1,74	ESTANHADO TIN PLATED	LIGA DE COBRE COPPER ALLOY	688655-1
MAX.	MIN.	MAX.	MIN.	MAX.	MIN.	FINISH	MATERIAL	PART NUMBER
SOMA DOS DIÂMETROS SUM		CABO PRINCIPAL TOP GROVE		CABO DERIVAÇÃO BOTTOM GROVE				
DIÂMETRO LIMITE DOS CABOS WIRE DIAMETER LIMITE								



THIS DRAWING IS A CONTROLLED DOCUMENT FOR TYCO ELECTRONICS CORPORATION. IT IS SUBJECT TO CHANGE AND THE CONTROLLING ENGINEERING ORGANIZATION SHOULD BE CONTACTED FOR THE LATEST REVISION.

DIMENSIONS: mm	TOLERANCES UNLESS OTHERWISE SPECIFIED: 0 PLC ±- 1 PLC ±1,5 2 PLC ±- 3 PLC ±- 4 PLC ±- ANGLES ±-	DWN G. OLIVEIRA 28DEC2005 CHK W. BELLINI JR. 28DEC2005 APVD RUY P. LEMF 28DEC2005	TYCO ELECTRONICS do Brasil LTDA. Sao Paulo, Brasil
MATERIAL SEE TABLE	FINISH SEE TABLE	PRODUCT SPEC 108-37019 APPLICATION SPEC 411-37014	NAME U.D. CONNECTOR ASS'Y, TYPE "D", REINFORCED.
		WEIGHT -	RESTRICTED TO -
CUSTOMER DRAWING		SIZE A3	CAGE CODE 00779
		DRAWING NO C-688655	
		SCALE -	SHEET 1 OF 1
			REV F2