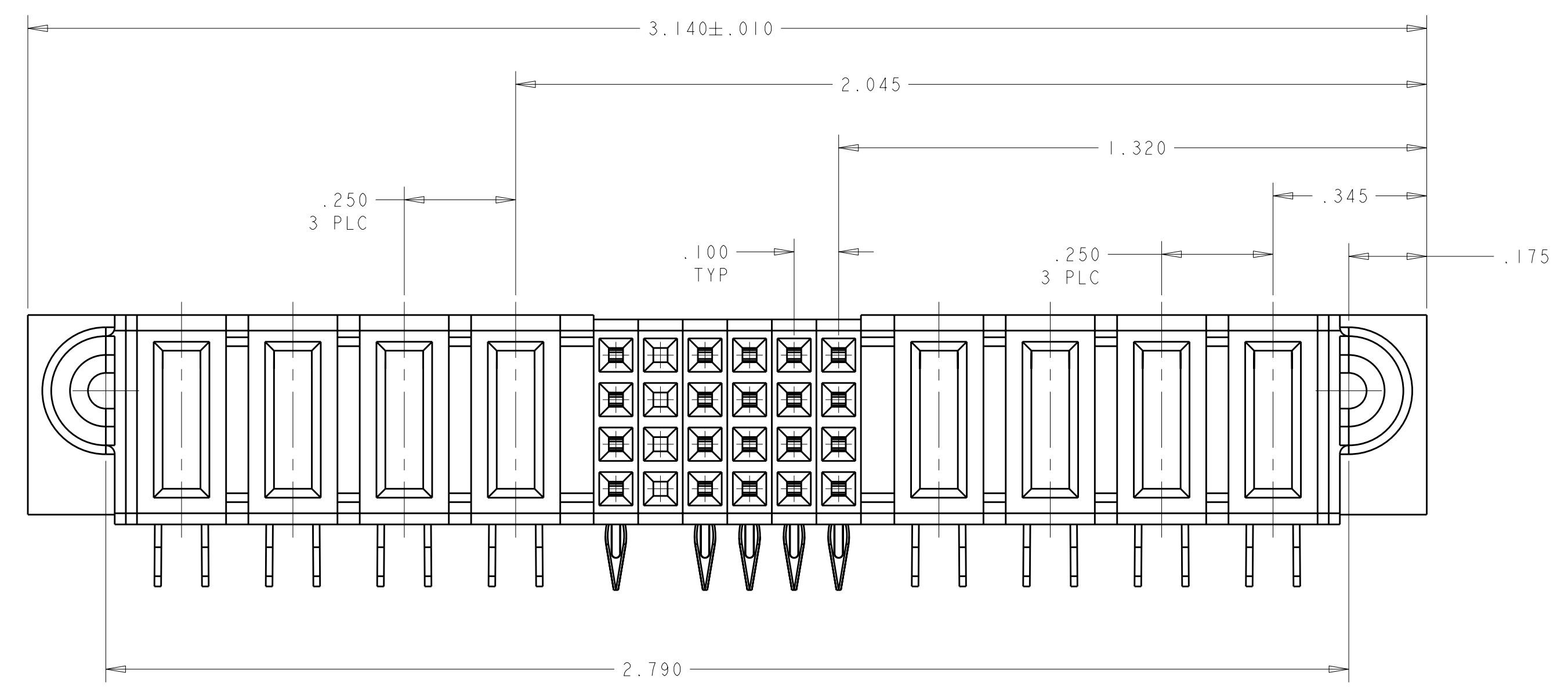
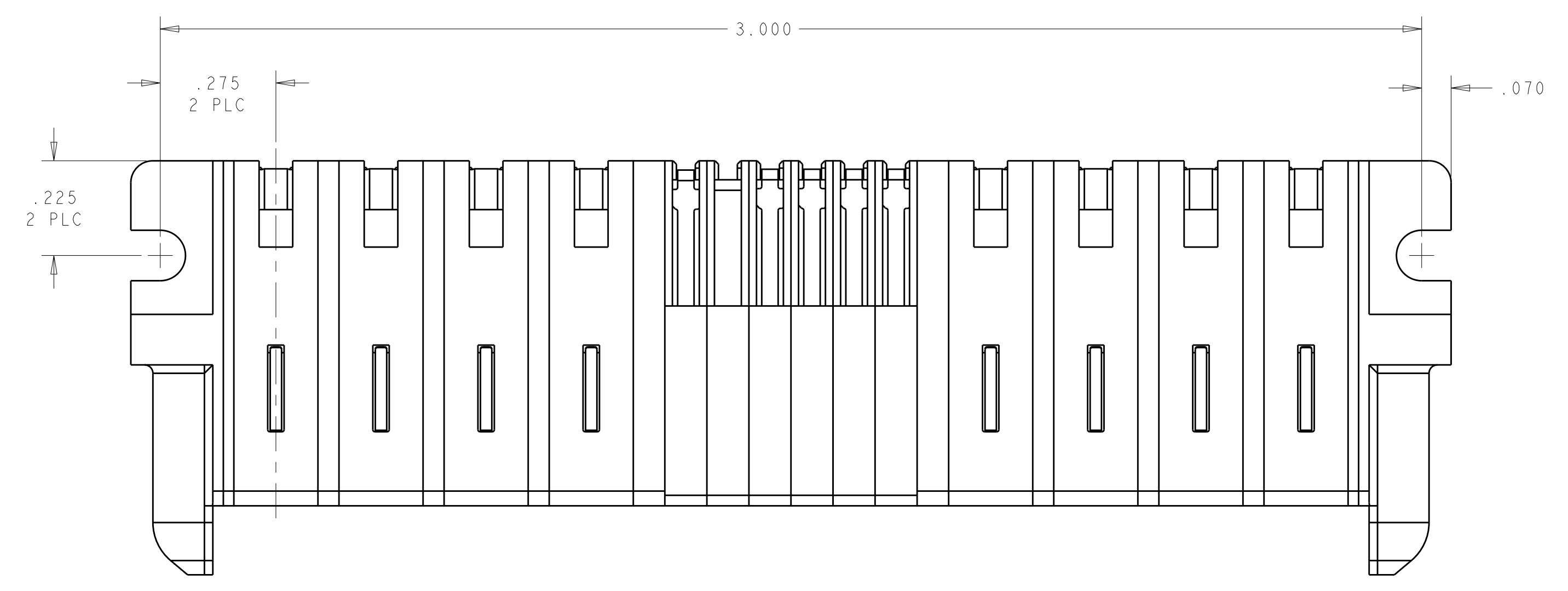
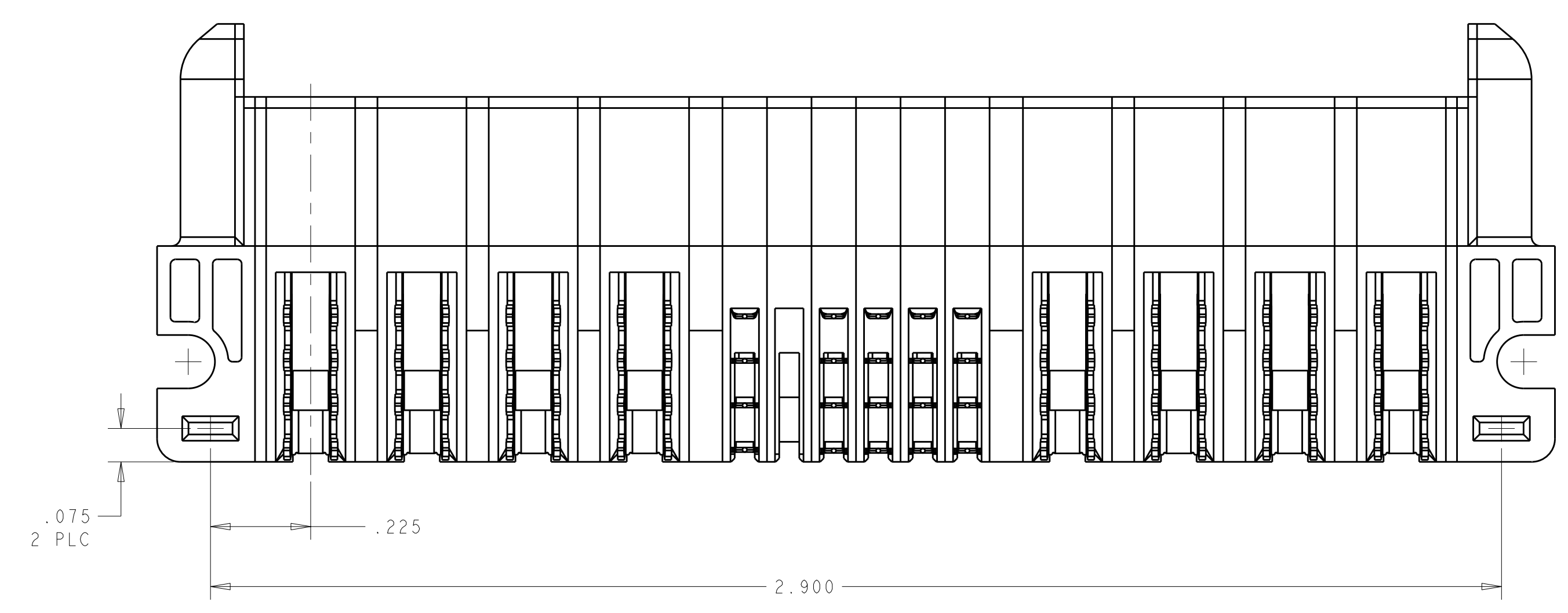
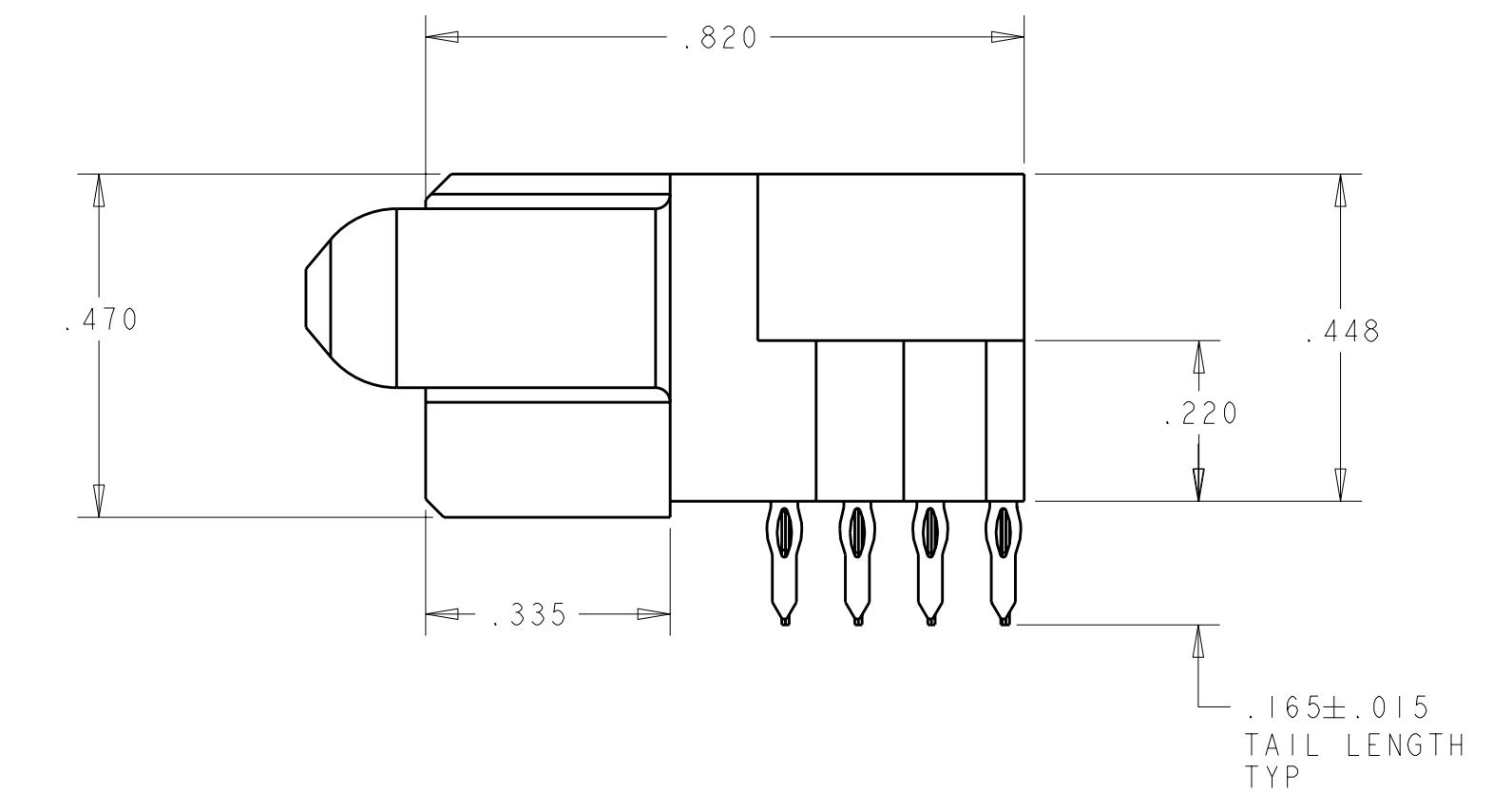


LOC	DIST	REVISIONS					
ES	00	P	LTR	DESCRIPTION	DATE	DWN	APVD
		1		PROPOSAL DESIGN	16APR2007	SZ	SY
		2		REV PER ECR-07-009456	18APR2007	SZ	SY



- 1 HOUSING: THERMO PLASTIC, BLACK, UL94 V-O; CONTACTS AND RETENTION CLIPS: COPPER ALLOY.
- 2 PIN CONTACTS: .000030 MIN GOLD IN MATING AREA, .000100 MIN TIN ON POST AREAS, BOTH OVER .000050 MIN NICKEL. POWER CONTACTS: .000030 MIN GOLD IN MATING AREA, .000100 MIN TIN ON POST AREAS, BOTH OVER .000050 MIN NICKEL.
- 3 "AMP", PART NUMBER AND DATE CODE MARKED IN THIS AREA. PARTS UNDER 2.50" LONG MAY BE MARKED ON BOTH SIDES.
- 4 DATUM AND BASIC DIMENSIONS ESTABLISHED BY CUSTOMER.
- 5 PCB - ALL HOLE DIAMETERS ARE FINISHED HOLE SIZES.
- 6 MECHANICAL CONNECTOR KEEP OUT ZONE.

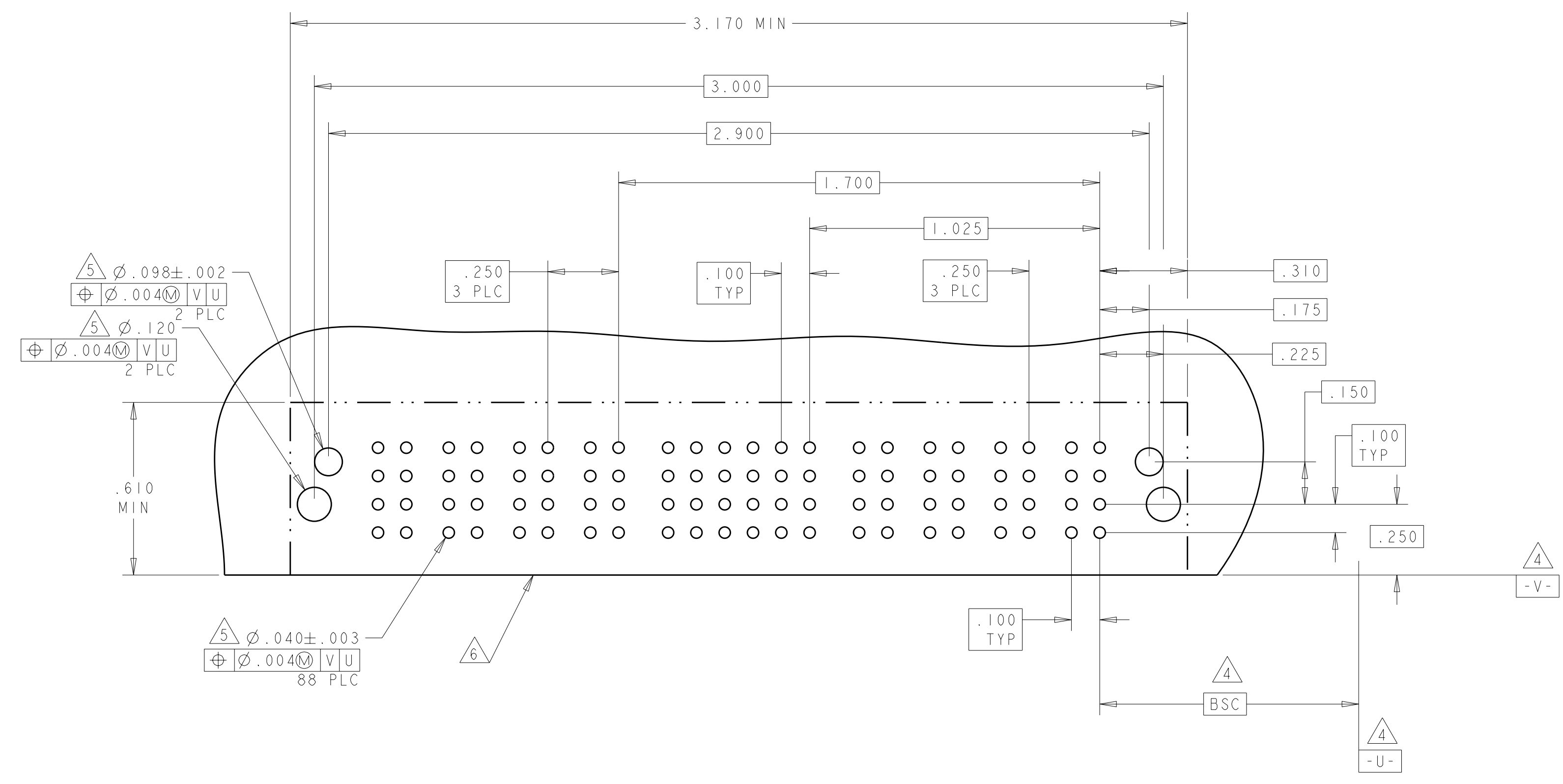


4P + 24S + 4P	1888765-1
DESCRIPTION	PART NUMBER

DIMENSIONS: INCHES 		TOLERANCES UNLESS OTHERWISE SPECIFIED: 9 PLC ± 1 PLC ± 2 PLC ± 3 PLC ±.005 4 PLC ± ANGLES ±° FINISH		DWN: S. ZHAO 16APR2007 CHK: S. ZHAO 16APR2007 APVD: S. YAO PRODUCT SPEC: 108-1973 APPLICATION SPEC: 114-13038 WEIGHT: - CUSTOMER DRAWING		Tyco Electronics Shanghai, P.R.China, 200233 NAME: RIGHT ANGLE RECEPTACLE ASSEMBLY W/ SHORT END MODULES MULTI-BEAM XLE SIZE: CAGE CODE DRAWING NO: A100779C=1888765 RESTRICTED TO: - SCALE: 4:1 SHEET 1 OF 2 REV 2	
------------------------	--	--	--	--	--	---	--

LOC	DIST	REVISIONS			
ES	00	REV	DATE	BY	APPD
-	-	SEE SHEET 1	-	-	-

PART NUMBER	ROWS	POWER				SIGNAL					POWER				
		P8	P7	P6	P5	6	5	4	3	2	1	P4	P3	P2	P1
1888765-1	D	RK	RK	RK	RK	DD	DD	DD	DD	DD	DD	RL	RL	RL	RL
	C					CC	CC	CC	CC	CC					
	B					BB	BB	BB	BB	BB					
	A					AA	AA	AA	AA	AA					
4P + 24S + 4P															



SIGNAL CONTACT STD	DD
SIGNAL CONTACT STD	CC
SIGNAL CONTACT STD	BB
SIGNAL CONTACT STD	AA
POWER CONTACT, STD	RL
POWER CONTACT, MFBL	RK
DESCRIPTION	CODE

DIMENSIONS: INCHES 		TOLERANCES UNLESS OTHERWISE SPECIFIED: 9 PLC ± 1 PLC ± 2 PLC ± 3 PLC ±.005 4 PLC ± ANGLES ±° FINISH		DWN S. ZHAO 16APR2007 CHK S. ZHAO 16APR2007 APVD S. YAO PRODUCT SPEC 108-1973 APPLICATION SPEC 114-13038 WEIGHT CUSTOMER DRAWING		Tyco Electronics Shanghai, P.R.China, 200233 NAME: RIGHT ANGLE RECEPTACLE ASSEMBLY W/ SHORT END MODULES MULTI-BEAM XLE SIZE: CAGE CODE: DRAWING NO: A100779C=1888765 SCALE: 4:1 SHEET 2 OF 2 REV 2	
---------------------------	--	--	--	--	--	--	--