

**Ratings**

Voltage: 24 Vdc  
Current: 8 A

**Operating Temperature Range**

-25° to 70° C , relative humidity of 85% or less

**Materials**

1. Insulator: PBT +15% GF, black
2. Center pin: C2680 brass, 2 µm nickel plated
3. Shell: C3604 brass, 2 µm nickel plated
4. Nut: C3604 brass, 2 µm nickel plated

**Electrical Requirements**

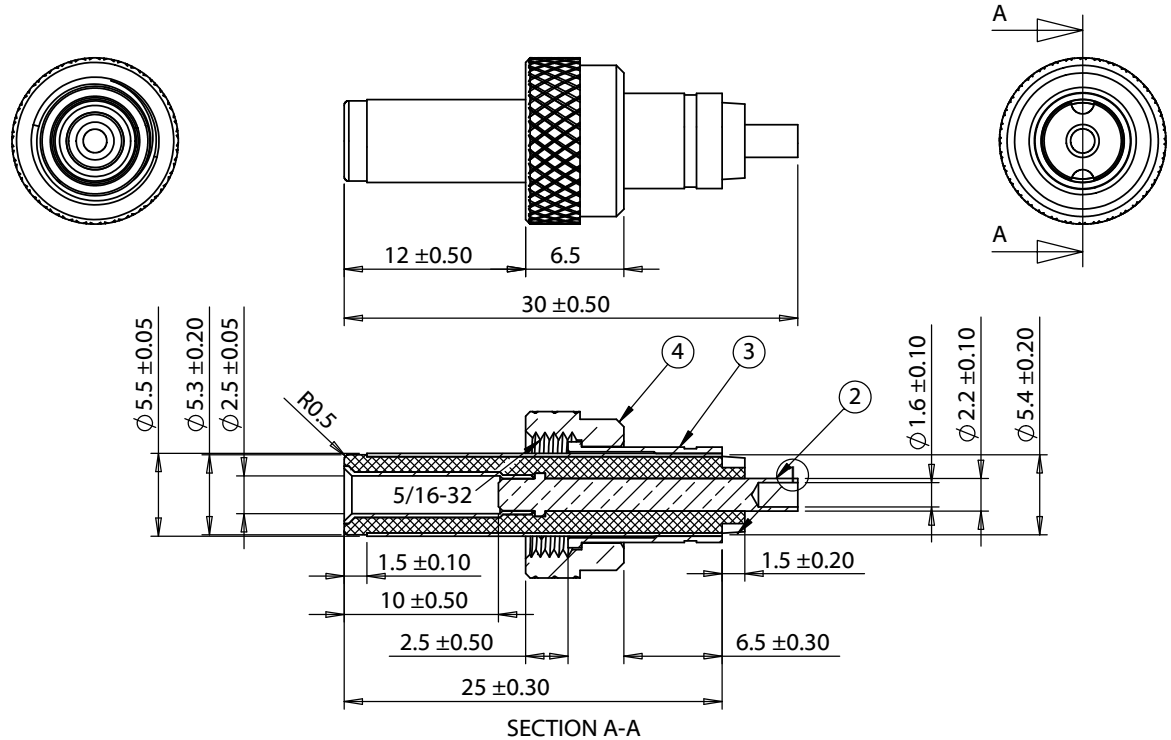
Dielectric strength: 1 min @ 500 Vac  
Insulation resistance: 100 MΩ @ 500 Vdc  
Contact resistance: 30 mΩ or less

**Mechanical Requirements**

Insertion force: 0.3-3 kgf  
Withdrawal force: 0.3-3 kgf  
Life cycle: 5000 mating cycles while maintaining 0.3-2 kgf insertion force, 0.2-1.5 kgf withdrawal force and less than 100 mΩ contact resistance.

**Environmental Requirements**

Heat test: 70 °C, relative humidity 70-85% for 96 hours without deformation while maintaining contact resistance after test 100 mohms or less, and insulation resistance 50 Mohms/500 Vdc minimum  
Humidity test: 40 °C, relative humidity 90-100% for 96 hours without deformation while maintaining dielectric strength 500 Vac/1 minute, insulation resistance 50 Mohms/500 Vdc minimum, and contact resistance 100 mohms or less  
Salt spray test: 35±2 °C, relative humidity 90-95%, 5% NaCl mist for 24 hrs. Wash parts after test. Maintain mechanical requirements and a contact resistance of less than 80 mΩ.



Revision:	Date:	Description:
A	8/16/2010	Initial release
A1	8/30/2016	Changed insulator material
A2	11/20/2017	Updated specifications

Prepared: AG  
Digitally signed by AG  
Date: 2017.11.27  
15:45:53 -08'00'

Verified: PS  
Digitally signed by PS  
Date: 2017.11.27 16:55:00  
-08'00'

Dimensions are in millimeters.  
Tolerances:  
X: ± 0.5 mm  
X.X: ± 0.3 mm  
X.XX: ± 0.05 mm

Notes:  
RoHS and REACH compliant

Function test: no open, no short circuit, no intermittent

Description:  
Connector, dc plug, 5.5x2.5xBL12xL30 locking style, brass nickel plated, threaded nut 5/16-32

**TENSILITY**

tel 1.541.323.3228 800 877.670.7118  
fax 1.541.323.4202 web tensility.com

Size: A	Part number: 50-00104
Scale: 2:1	Sheet 1 of 1