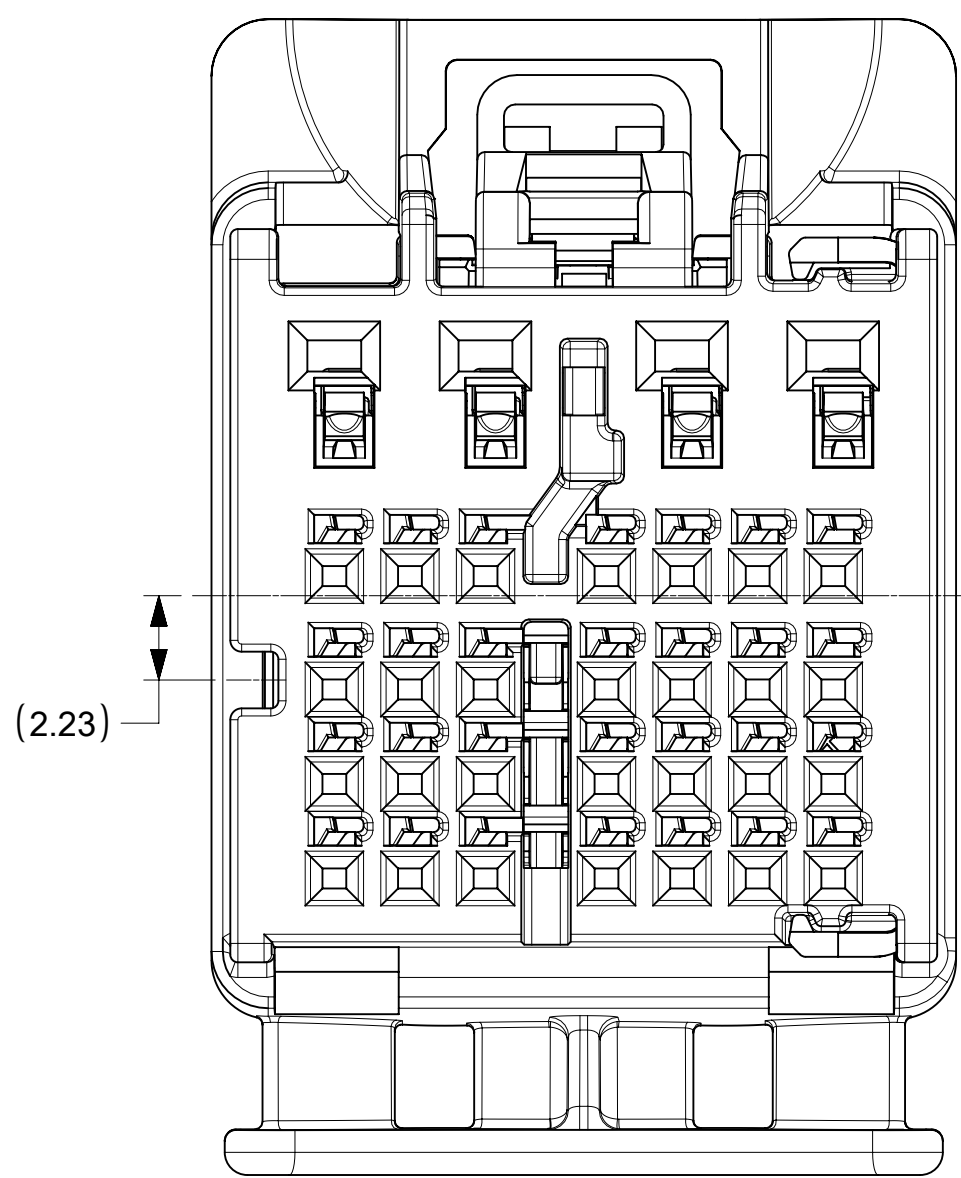
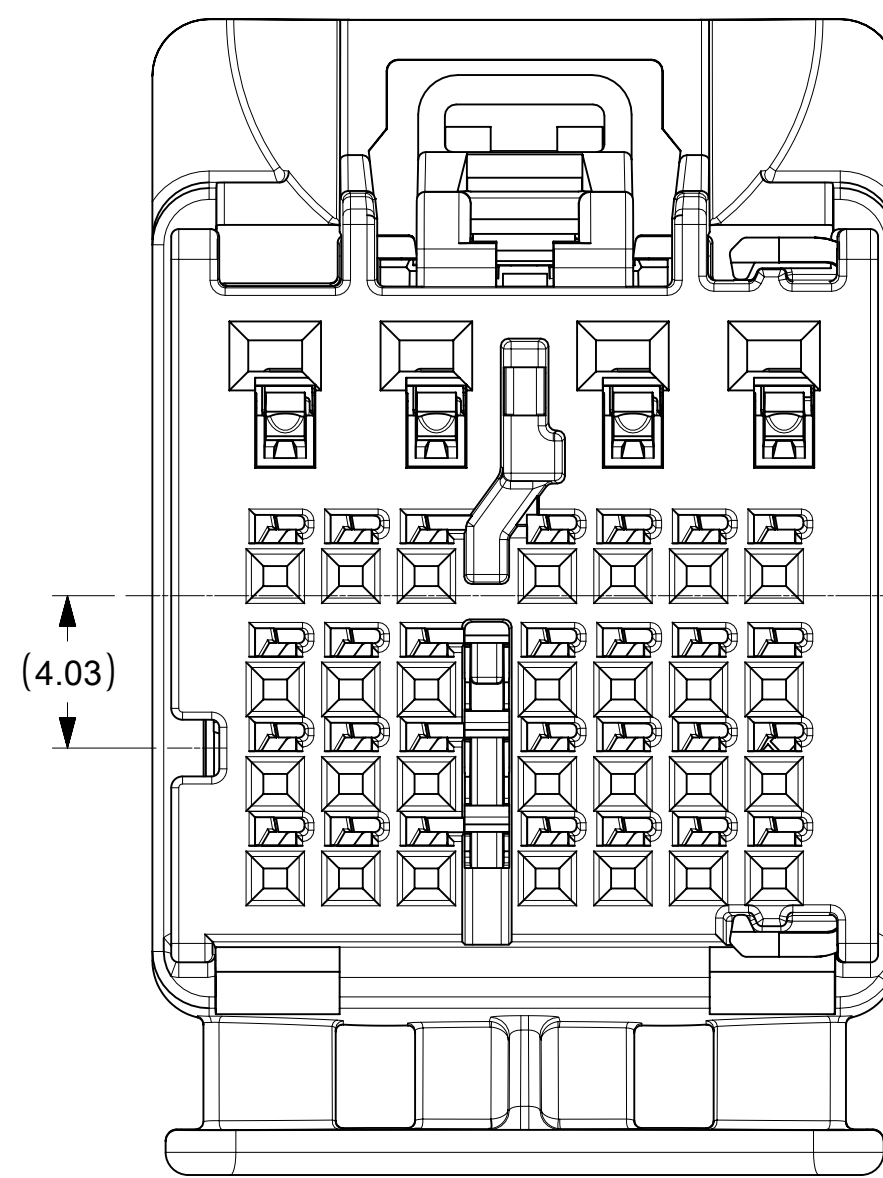


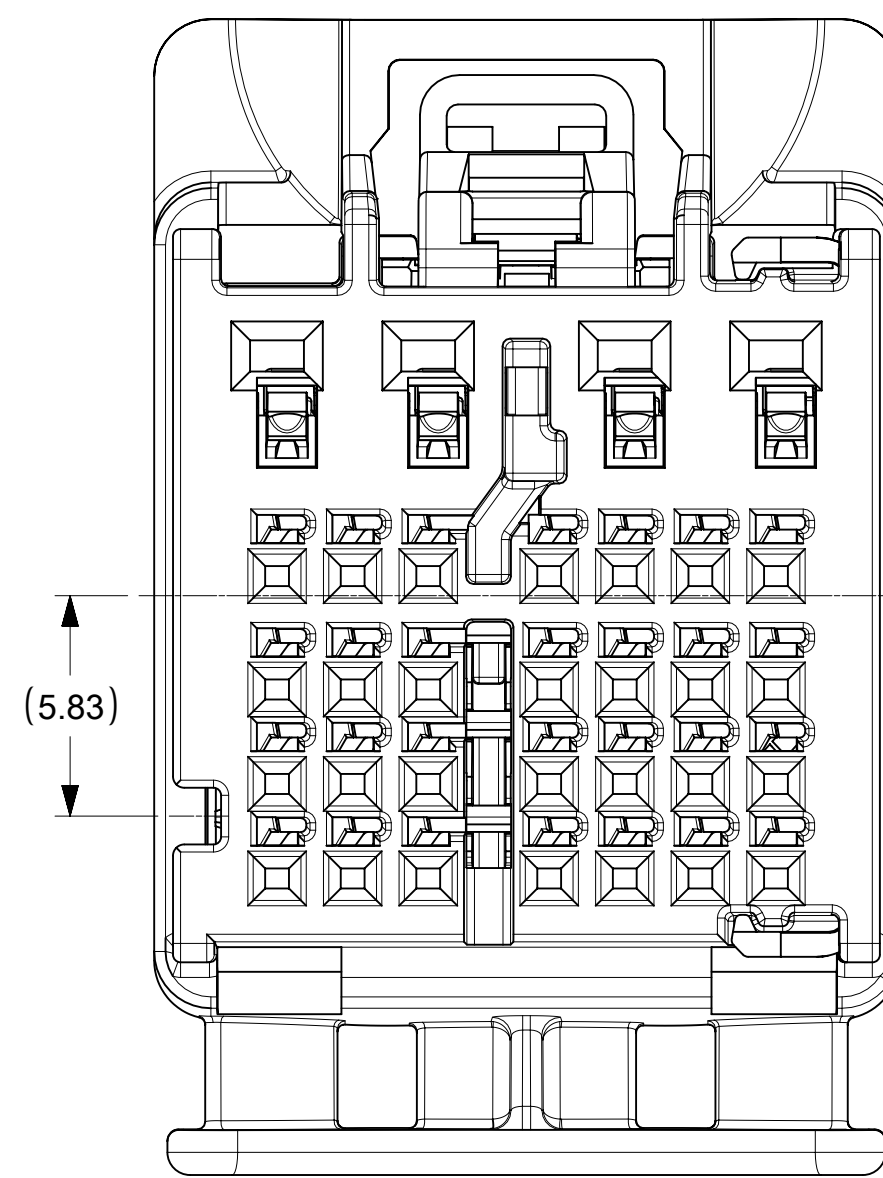
32 WAY CONNECTOR ASSEMBLY  
KEY 1 & KEY 5



32 WAY CONNECTOR ASSEMBLY  
KEY 2 & KEY 6



32 WAY CONNECTOR ASSEMBLY  
KEY 3 & KEY 7



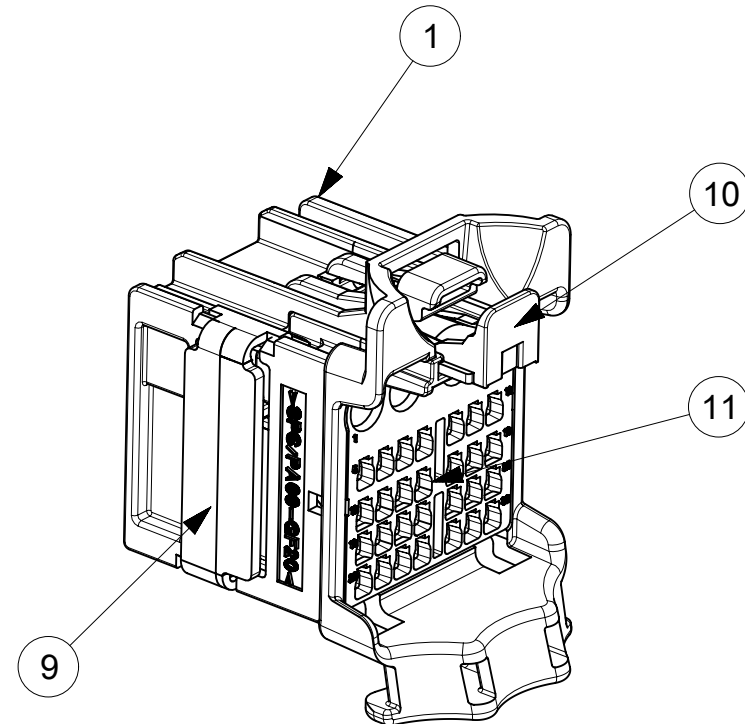
32 WAY CONNECTOR ASSEMBLY  
KEY 4 & KEY 8

- NOTES: VALID UNLESS OTHERWISE SPECIFIED
- GENERAL:
    - APPLICATION SPECIFICATION SEE: AS-160014-001
    - PRODUCT SPECIFICATION SEE: PS-160014-001
    - PACKAGING SPECIFICATION PER MOLEX DRAWING: PK-31302-266
    - PARTS MUST BE IN COMPLIANCE TO MOLEX CHEMICAL SUBSTANCES FOR PRODUCTS AND PACKAGING SPECIFICATION: ES-40000-5016
    - DATA MUST BE SUBMITTED UNDER THE MOLEX PART NUMBER TO IMDS (COMPANY ID#13255)
  - DESIGN - MATERIALS:
    - SEE BOM TABLE
  - DESIGN - GEOMETRY:
    - ALL GRAPHIC DATA IS BASIC (NO TOLERANCE) AND MUST BE TAKEN FROM THE DATA FILE AT ITS LATEST REVISION.
    - PRODUCT DESIGN MODEL NUMBER(S): SEE BOM TABLE
    - GEOMETRIC DIMENSIONS AND TOLERANCES PER ASME Y14.5-2009
    - EDGES AND UNDIMENSIONED DETAILS PER ISO13715
    - CORNERS SHOWN AS SHARP TO BE R 0.2 MAX.
    - MARKED TEXT TO INCLUDE RECYCLING CODE, CAVITY ID, VENDOR IDENTIFICATION AND CUSTOMER MATERIAL NUMBER.
      - LASER ETCHED DATE CODE
        - 1ST THROUGH 2ND DIGIT = CALENDAR YEAR
        - 3RD THROUGH 5TH DIGIT = "DAY #" OF YEAR
        - 6TH THROUGH 7TH DIGIT = HOUR OF DAY
        - 8TH THROUGH 9TH DIGIT = MINUTE OF HOUR
        - 10TH THROUGH 11TH DIGIT = SECOND OF MINUTE
  - DESIGN - MANUFACTURING:
    - VISUAL DEFECTS SHALL MEET COSMETIC STANDARD PS-45499-002 (Class B)

PART NUMBER	PLATING	SUPPLIER	WIRE GAGE (mm2)	TERMINAL FAMILY	WIRE SPECIFICATION
200096-3101	TIN PLATING	MOLEX	0.35	TAK FAMILY (0.5 mm)	VW 60306 OR GMW 15626 (SEE APPLICATION SPECIFICATION FOR MORE DETAILS)
200096-3201	TIN PLATING	MOLEX	0.13	TAK FAMILY (0.5 mm)	
2272196-2	TIN PLATING	TE	0.35	Generation 50 Locking Lance (0.5mm)	SAE/ J1128 THIN WALL INSULATION
2272196-1	TIN PLATING	TE	0.13	Generation 50 Locking Lance (0.5mm)	
35072403	TIN PLATING	DELPHI	0.35 - 0.5	TAXI TERM OCS 1.2	
35072404	TIN PLATING	DELPHI	0.75 - 0.8		
35072405	TIN PLATING	DELPHI	0.8 - 1.0		
35072406	TIN PLATING	DELPHI	1.25 - 1.5		GMW 15626 INSULATION TYPE FLR (REGULAR THIN WALL)
SMSA-A031T-M1.2	TIN PLATING	JST	0.5 - 0.75	MSA 1.2mm TERMINAL	
SMSA-A041T-M1.2	TIN PLATING	JST	1.0 - 1.5	MSA 1.2mm TERMINAL	

ITEM	DESCRIPTION	COLOR	RECYCLING CODE	WEIGHT (GRAMS)	RIB OPTION	NO OF ITEMS REQUIRED												
1	OUTER SHROUD - KEY 1	BLACK	SPS/PA66-GF20	3.2	A	1												
2	OUTER SHROUD - KEY 2	BLUE	SPS/PA66-GF20	3.2	A		1											
3	OUTER SHROUD - KEY 3	DARK GRAY	SPS/PA66-GF20	3.2	A			1										
4	OUTER SHROUD - KEY 4	PURPLE C	SPS/PA66-GF20	3.2	A				1									
5	OUTER SHROUD - KEY 5	PINK B	SPS/PA66-GF20	3.2	B					1								
6	OUTER SHROUD - KEY 6	TBD	SPS/PA66-GF20	3.2	B						1							
7	OUTER SHROUD - KEY 7	LIGHT BROWN	SPS/PA66-GF20	3.2	B							1						
8	OUTER SHROUD - KEY 8	TBD	SPS/PA66-GF20	3.2	B								1					
9	ISL	NATURAL	SPS-GF30	0.37	N/A	1	1	1	1	1	1	1	1	1	1	1	1	1
10	CPA	NATURAL	PA66-GF50	0.08	N/A	1	1	1	1	1	1	1	1	1	1	1	1	1
11	INNER HOUSING	STONE GRAY	SPS/PA66-GF20	1.75	N/A	1	1	1	1									
12	INNER HOUSING	STONE GRAY	SPS/PA66-GF20	1.75	N/A						1	1	1	1	1	1	1	1

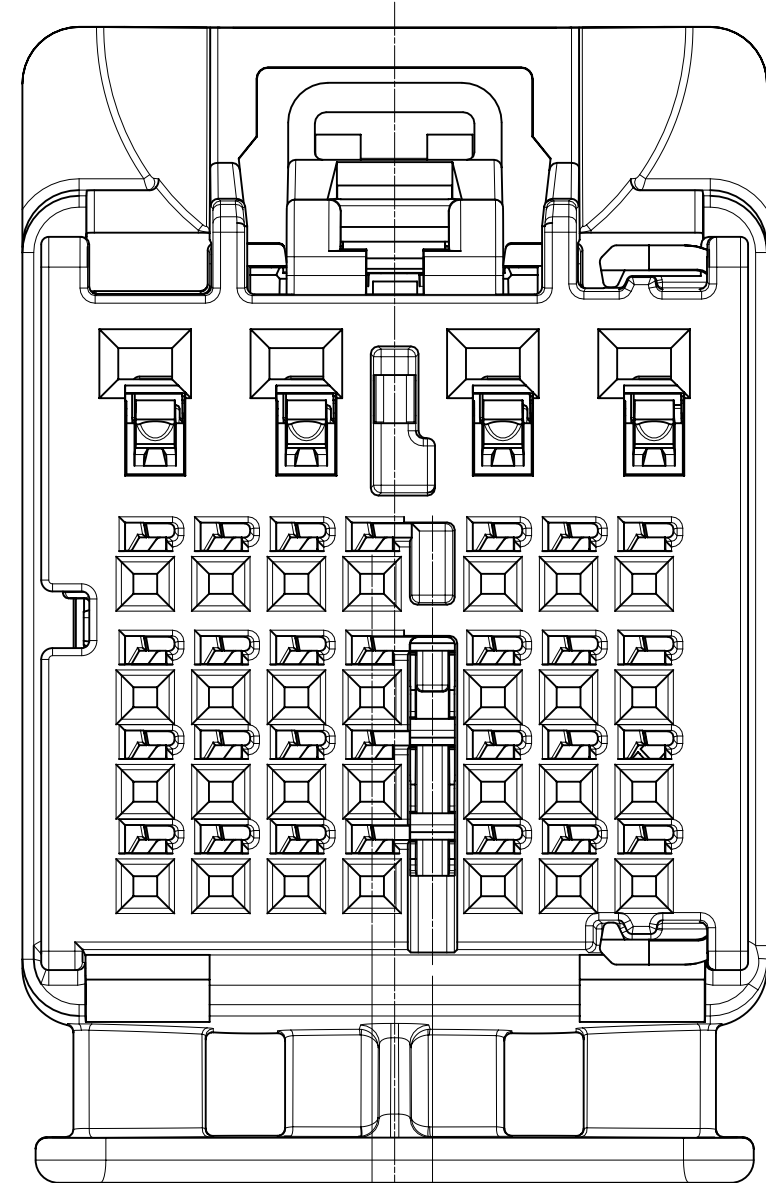
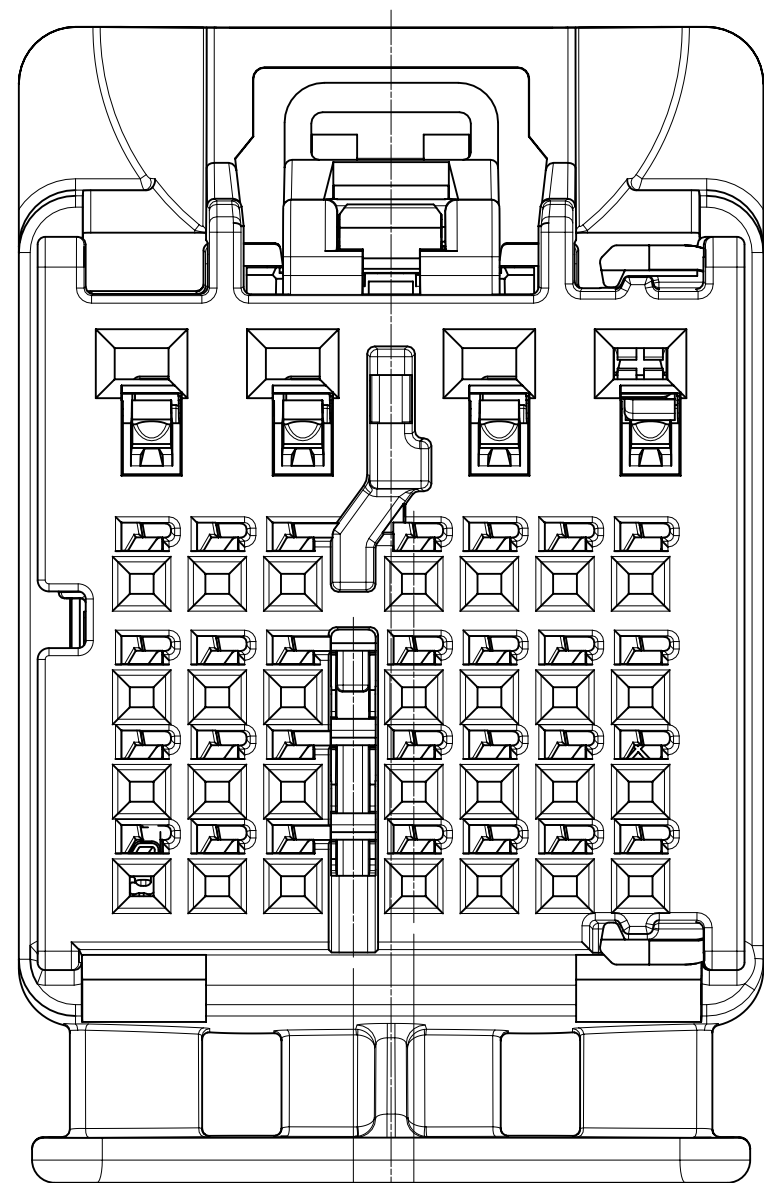
MOLEX ASSEMBLY PART NO.'S	
1600280011	KEY 1
1600280012	KEY 2
1600280013	KEY 3
1600280014	KEY 4
1600280015	KEY 5
1600280016	KEY 6
1600280017	KEY 7
1600280018	KEY 8



SCALE 2:1

RIB OPTION A

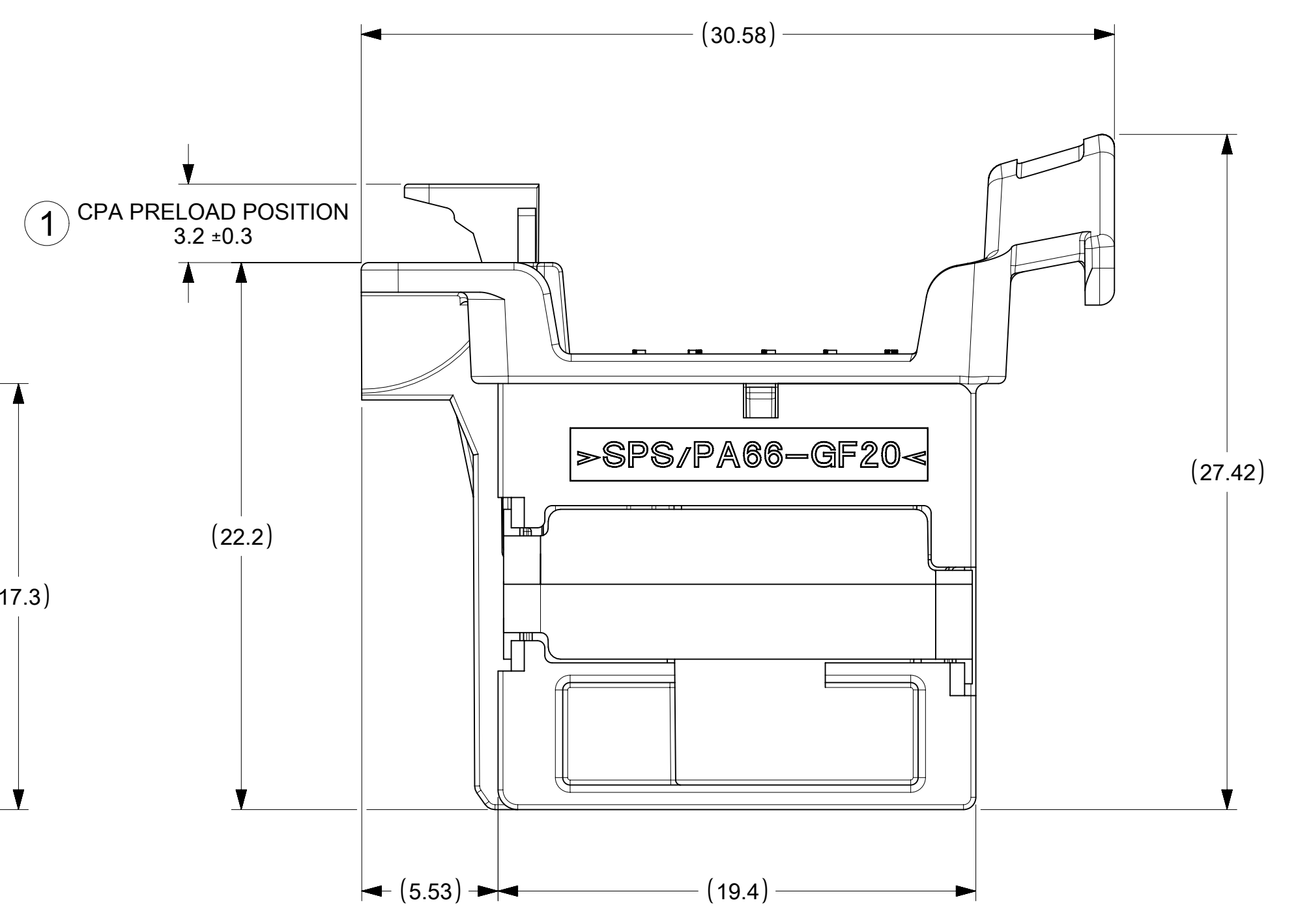
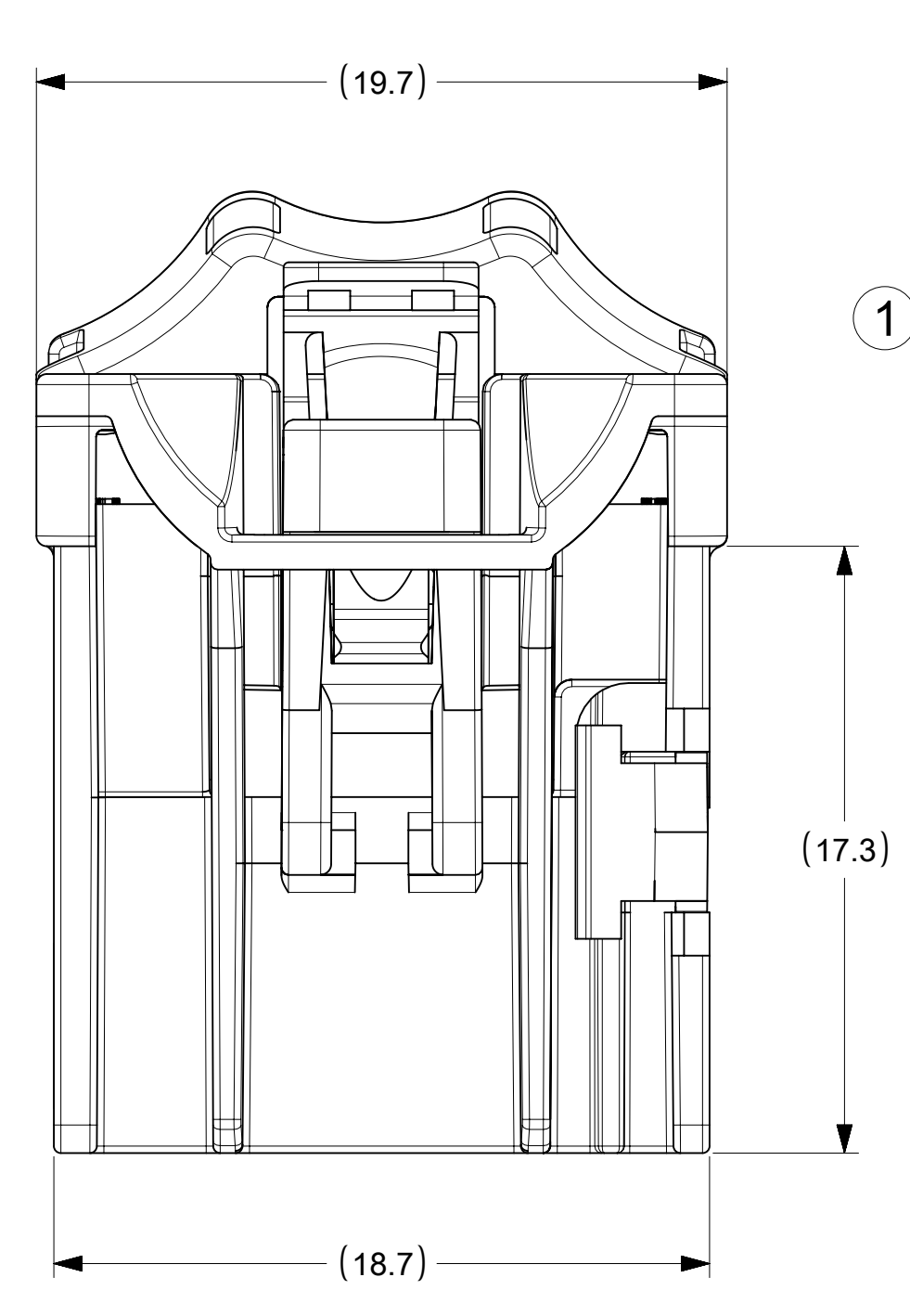
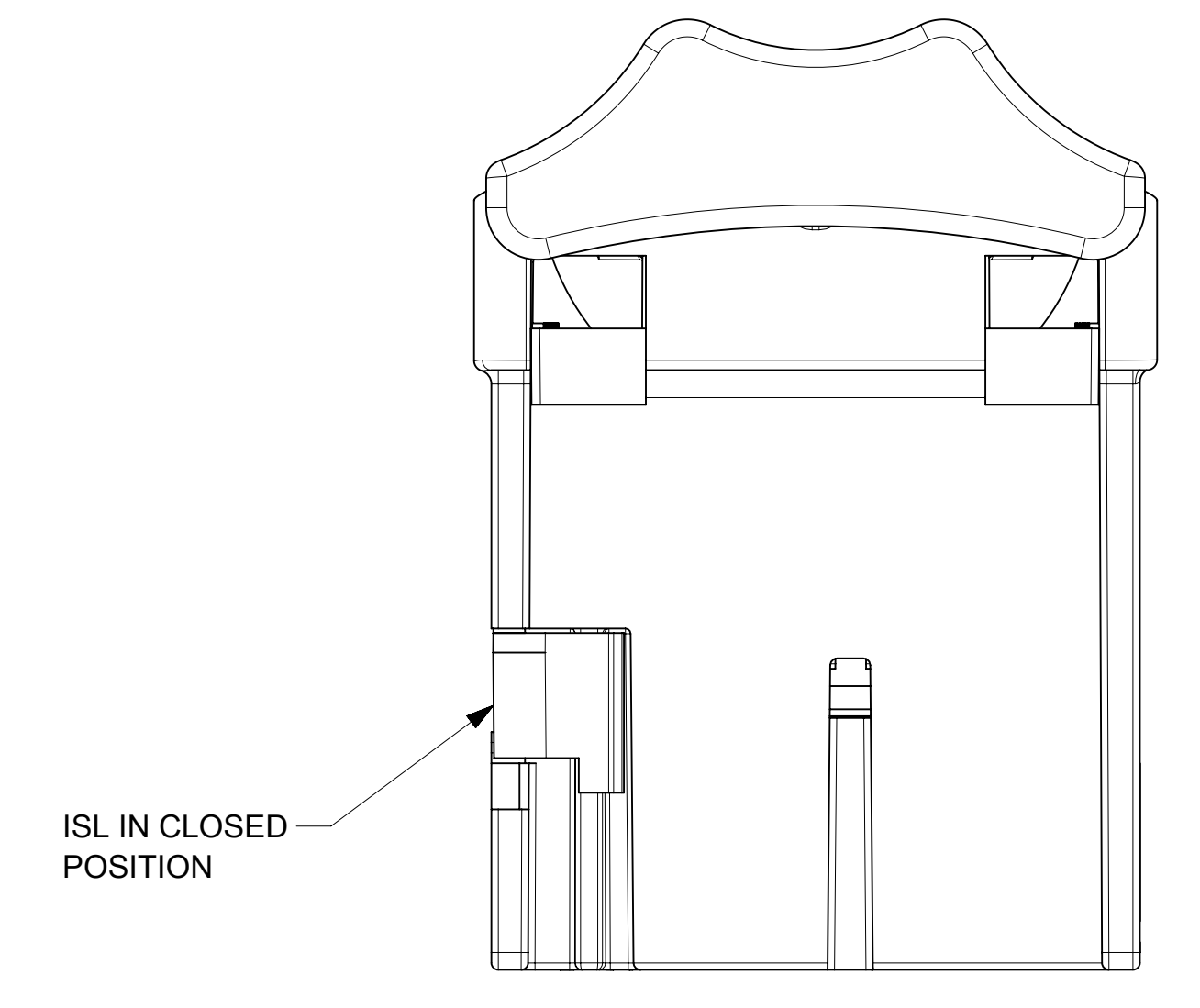
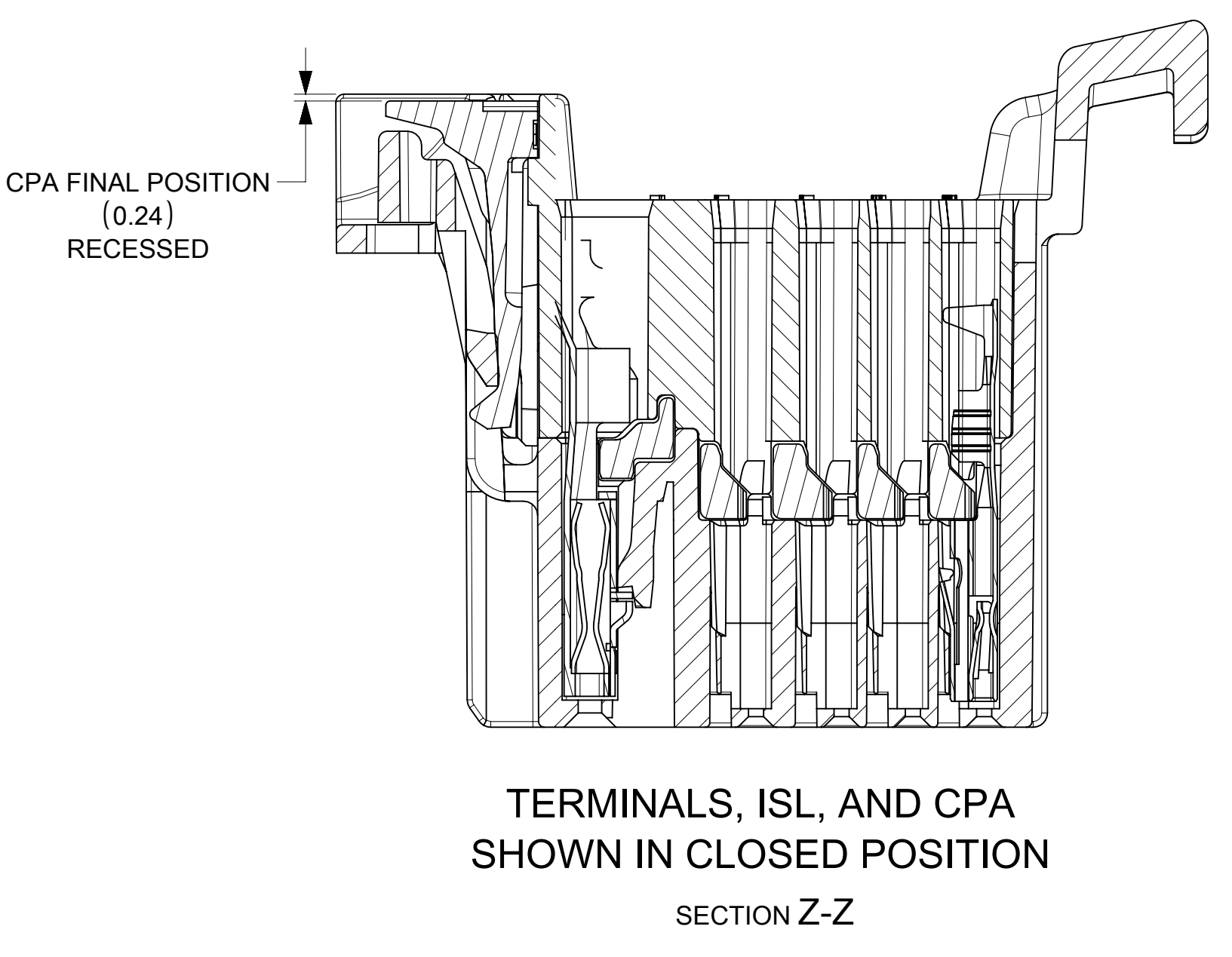
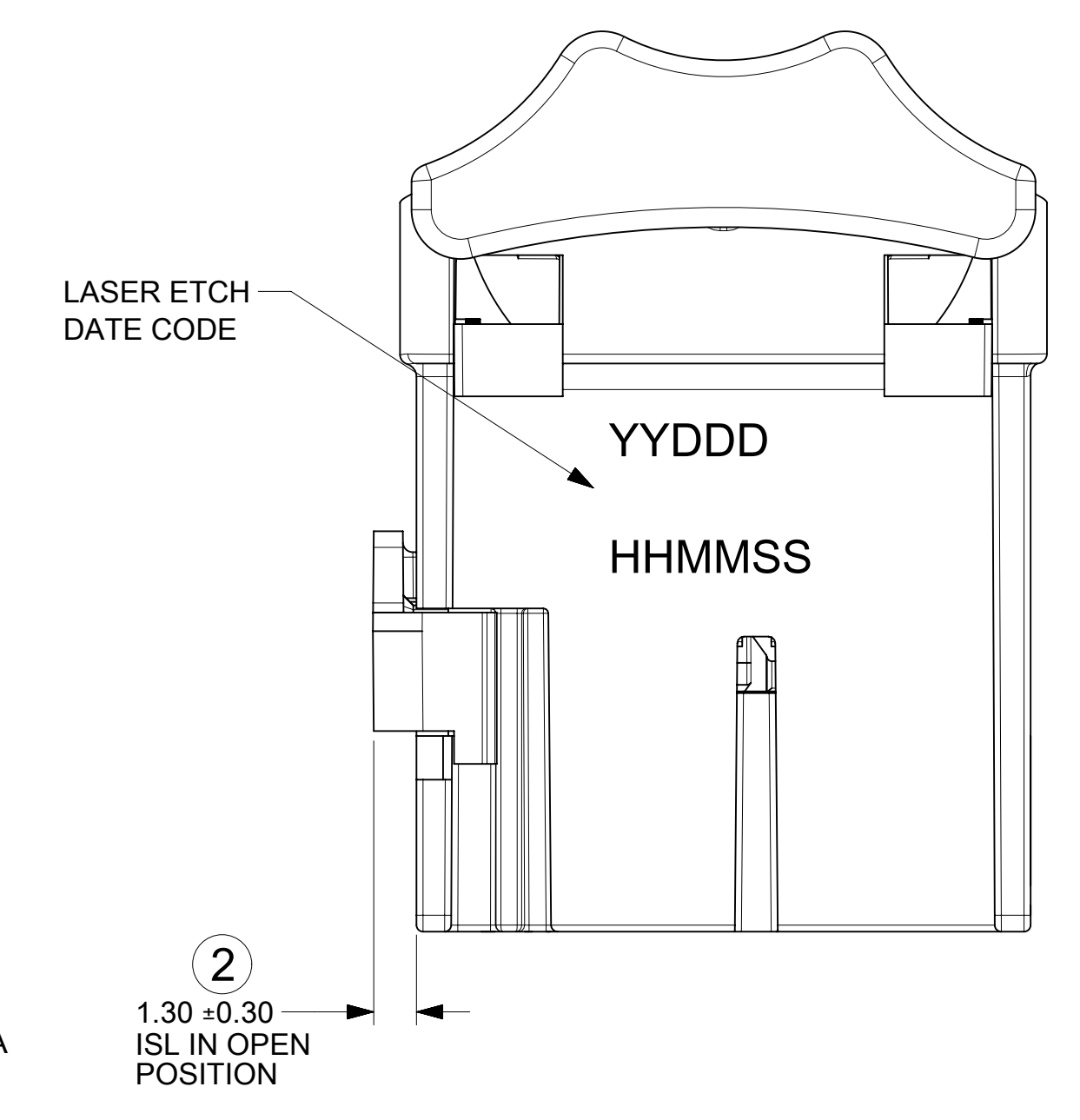
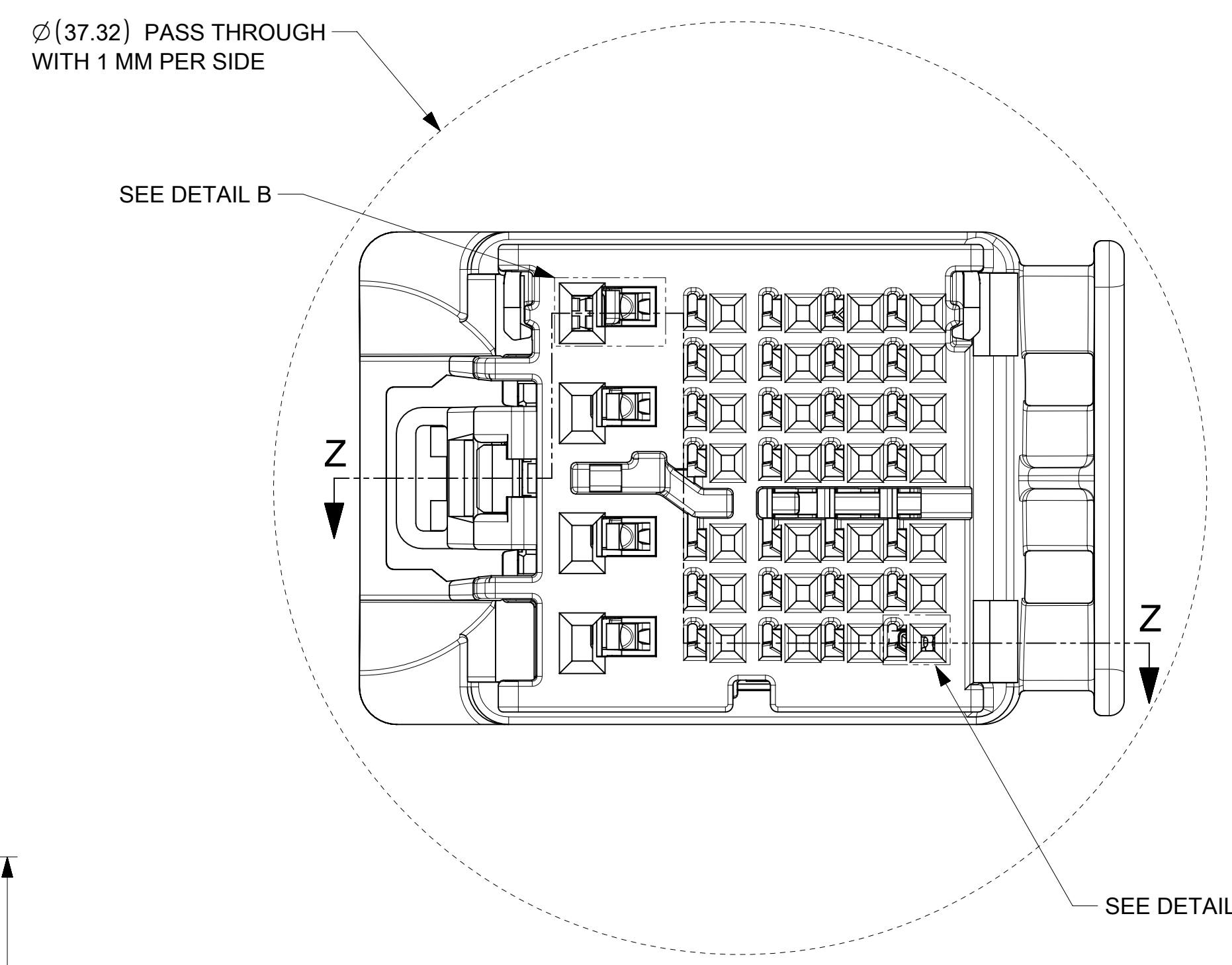
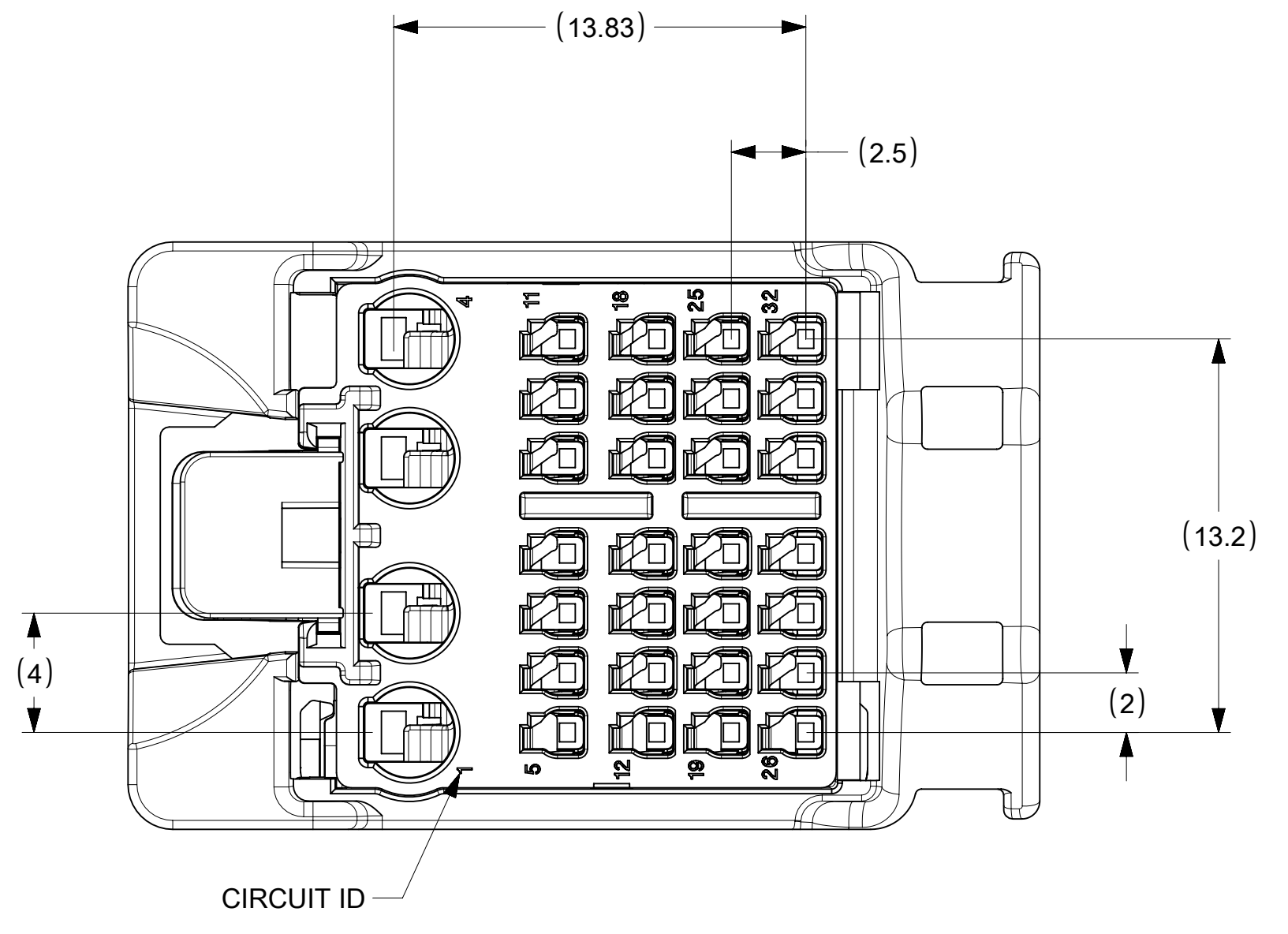
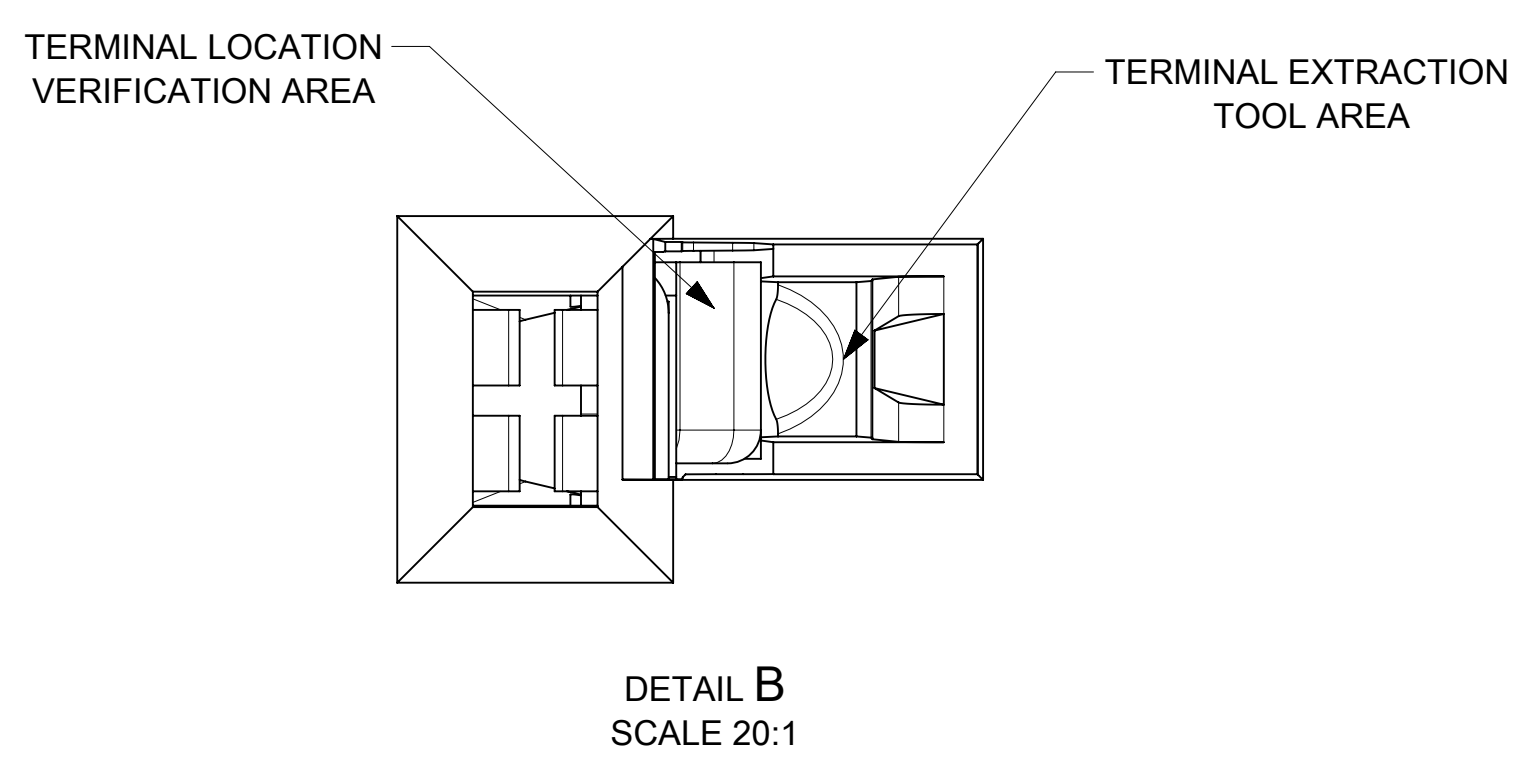
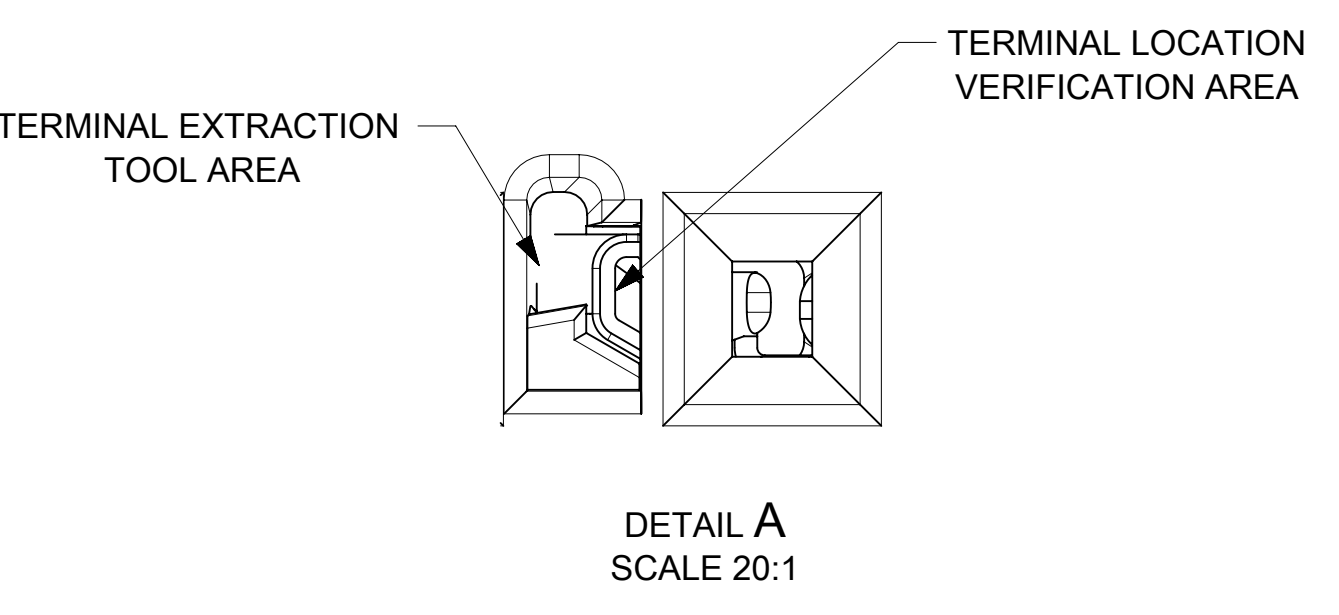
RIB OPTION B



INSPECTION BALLOON NUMBER LOG	
PER DRAWING REVISION :	A5
LAST BALLOON NUMBER:	2
ADDED BALLOON NUMBER:	NONE
DELETED BALLOON NUMBER:	NONE

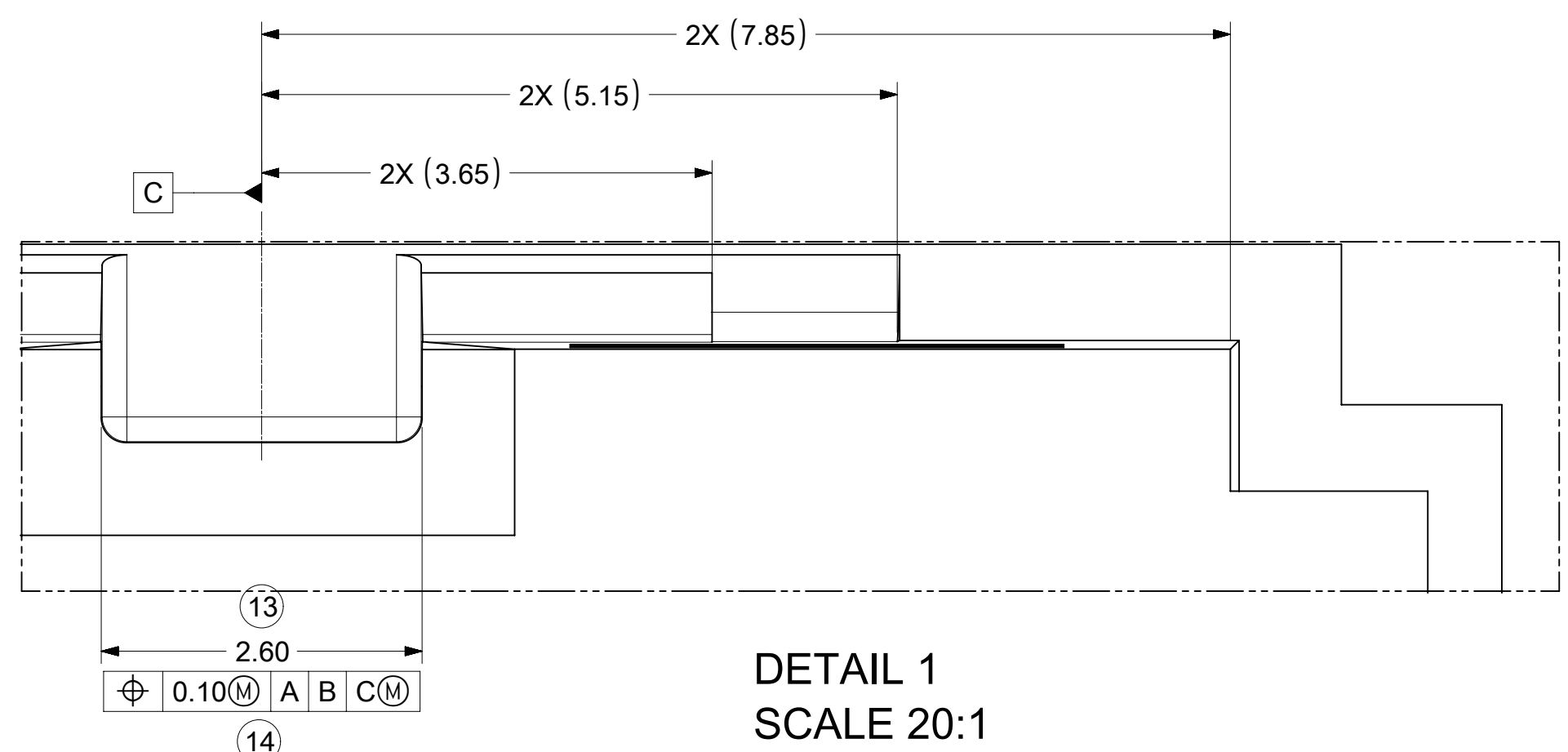
REVISION	DESCRIPTION
A5	UPDATED TAK50 TERMINAL PNS 21-July-2021 YPENG47 ECN 648438
A4	UPDATED DELPHI 1.2 TERMINAL PNS 13-Apr-2020 YPENG47 ECN 635661

SYMBOLS	THIS DRAWING CONTAINS INFORMATION THAT IS PROPRIETARY TO MOLEX ELECTRONIC TECHNOLOGIES, LLC AND SHOULD NOT BE USED WITHOUT WRITTEN PERMISSION	SCALE		CURRENT REV DESC: UPDATED TAK50			
	DIMENSION UNITS	mm	5:1	TERMINAL PNS			
▽ = 0	GENERAL TOLERANCES (UNLESS SPECIFIED)	ANGULAR TOL ± 3.0°		EC NO: 648438		32WAY STAK50H HYBRID ASSEMBLY CONNECTOR ASSEMBLY	
▽ = 0	4 PLACES ±	3 PLACES ±		DRWN: YPENG47 2021/07/21		PRODUCT CUSTOMER DRAWING	
▽ = 0	2 PLACES ± 0.3	1 PLACE ± 0.3		CHK'D: RCARLSON 2021/07/29		DOCUMENT NUMBER	
▽ = 0	0 PLACES ± 0.3	DRAFT WHERE APPLICABLE MUST REMAIN WITHIN DIMENSIONS		APPR: JCONDON 2021/08/02		DOC TYPE DOC PART REVISION	
⊗ = 0	THIRD ANGLE PROJECTION	DRAWING SERIES		INITIAL REVISION:		1600280011	
▽ = 0	D-DRAWING	D-SIZE		DRWN: RCARLSON 2019/02/15		PSD 000 A5	
		160028		APPR: JCONDON 2019/02/25		GENERAL MARKET	
		SEE CHART		MATERIAL NUMBER CUSTOMER		SHEET NUMBER	
		GENERAL MARKET		1 OF 2			

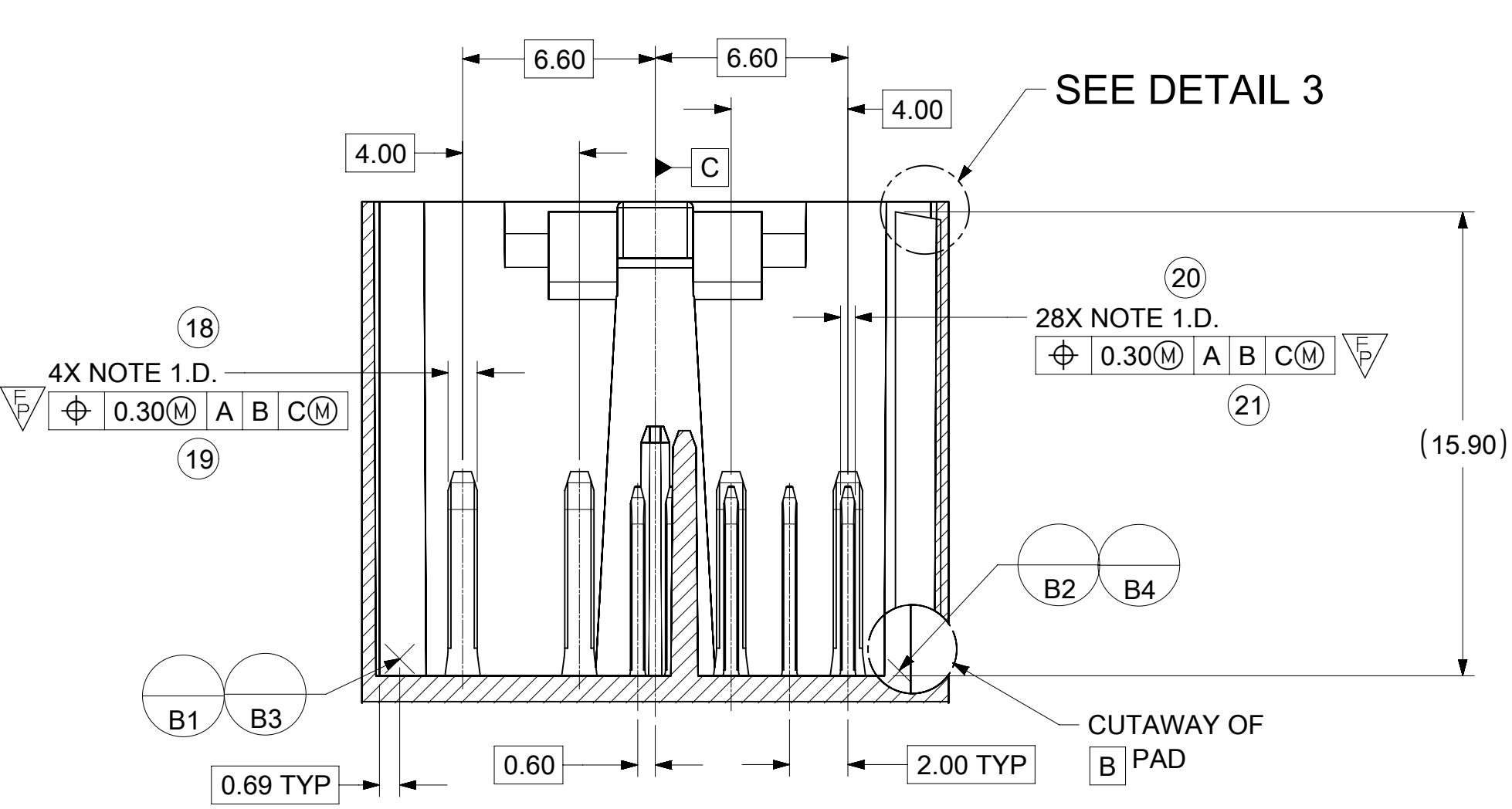


SYMBOLS	THIS DRAWING CONTAINS INFORMATION THAT IS PROPRIETARY TO MOLEX ELECTRONIC TECHNOLOGIES, LLC AND SHOULD NOT BE USED WITHOUT WRITTEN PERMISSION		CURRENT REV DESC: UPDATED TAK50		
	mm	SCALE 5:1	TERMINAL PNS		
▽ = 0	GENERAL TOLERANCES (UNLESS SPECIFIED)		EC NO: 648438		32WAY STAK50H HYBRID ASSEMBLY CONNECTOR ASSEMBLY PRODUCT CUSTOMER DRAWING
▽ = 0	ANGULAR TOL ± 3.0°		DRWN: YPENG47 2021/07/21		
▽ = 0	4 PLACES ±		CHK'D: RCARLSON 2021/07/29		DOCUMENT NUMBER: 1600280011 DOC TYPE: PSD DOC PART: 000 REVISION: A5
▽ = 0	3 PLACES ±		APPR: JCONDON 2021/08/02		
▽ = 0	2 PLACES ± 0.3		INITIAL REVISION:		MATERIAL NUMBER: SEE SHEET 1 CUSTOMER: GENERAL MARKET SHEET NUMBER: 2 OF 2
▽ = 0	1 PLACE ± 0.3		DRWN: RCARLSON 2019/02/15		
▽ = 0	0 PLACES ± 0.3		APPR: JCONDON 2019/02/25		
■ = 0	DRAFT WHERE APPLICABLE MUST REMAIN WITHIN DIMENSIONS		THIRD ANGLE PROJECTION		DRAWING: D-SIZE SERIES: 160028
▽ = 0					

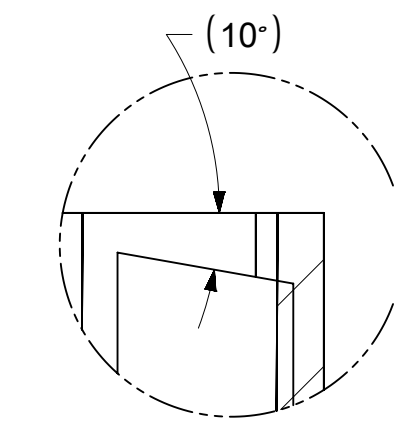




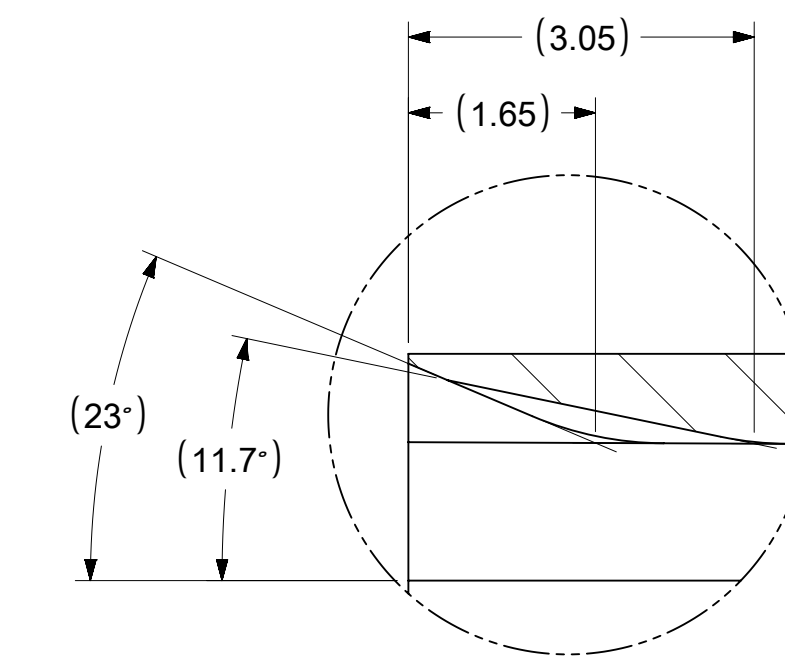
DETAIL 1  
SCALE 20:1



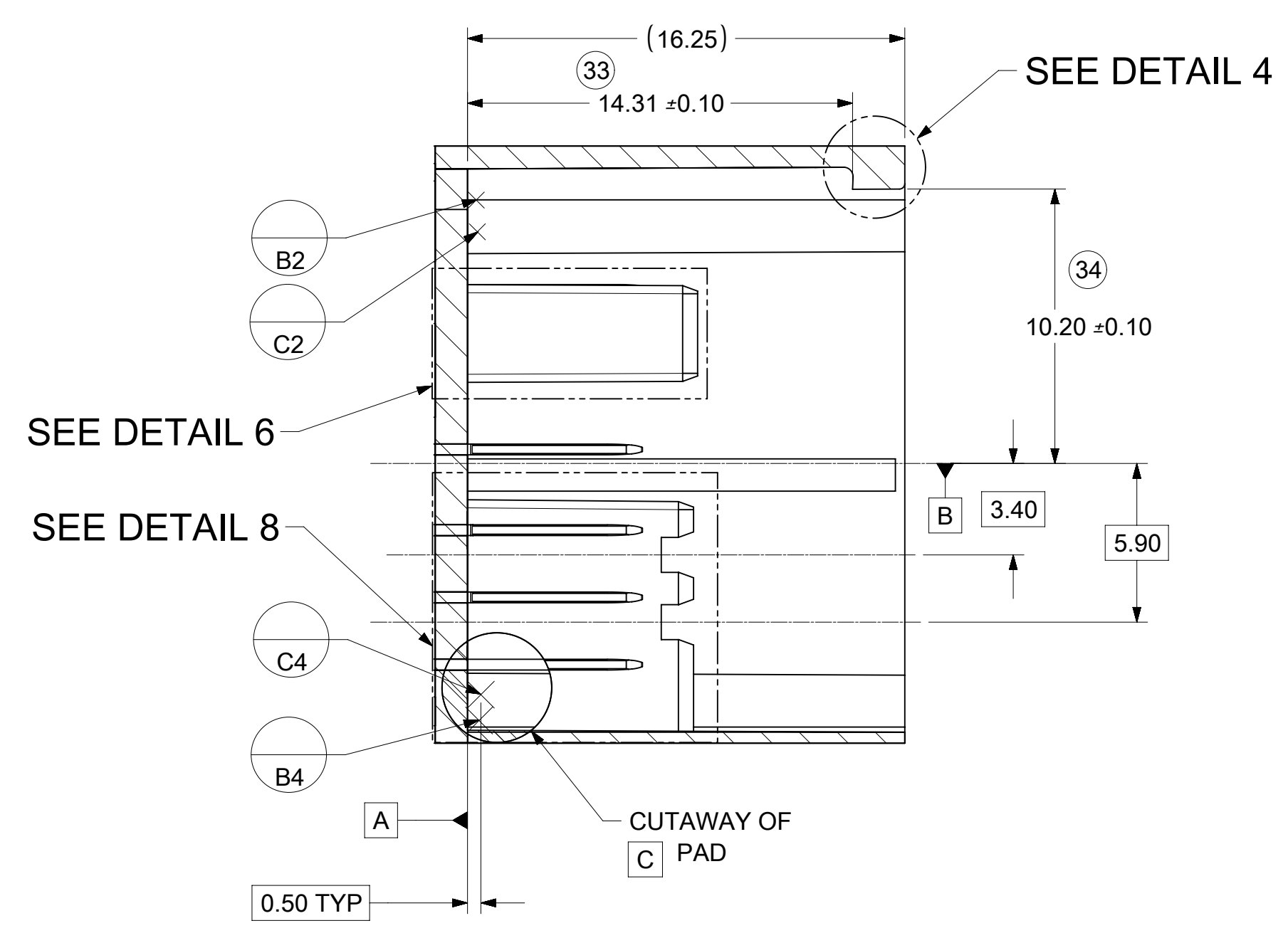
SECTION X-X



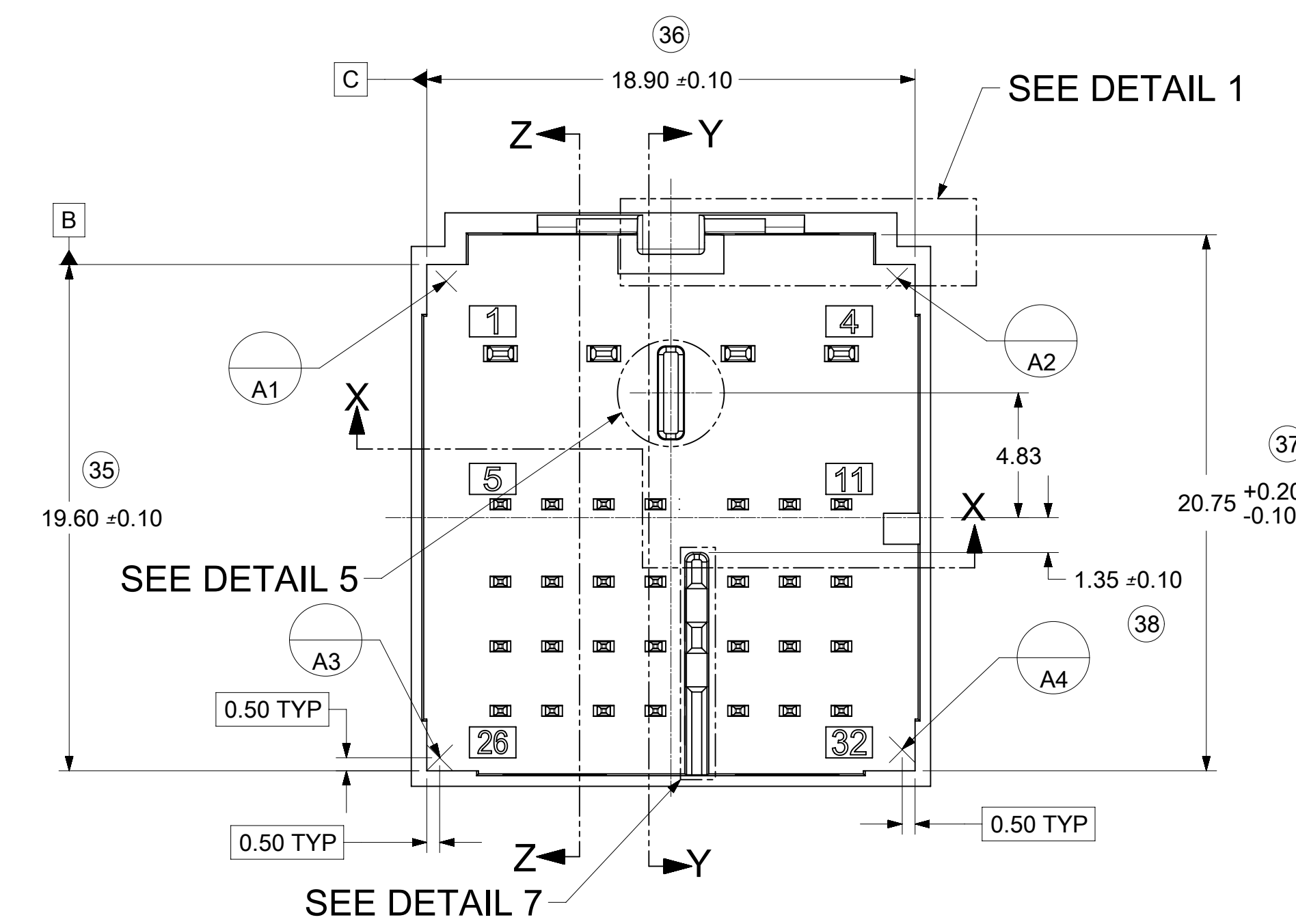
DETAIL 3  
SCALE 15:1



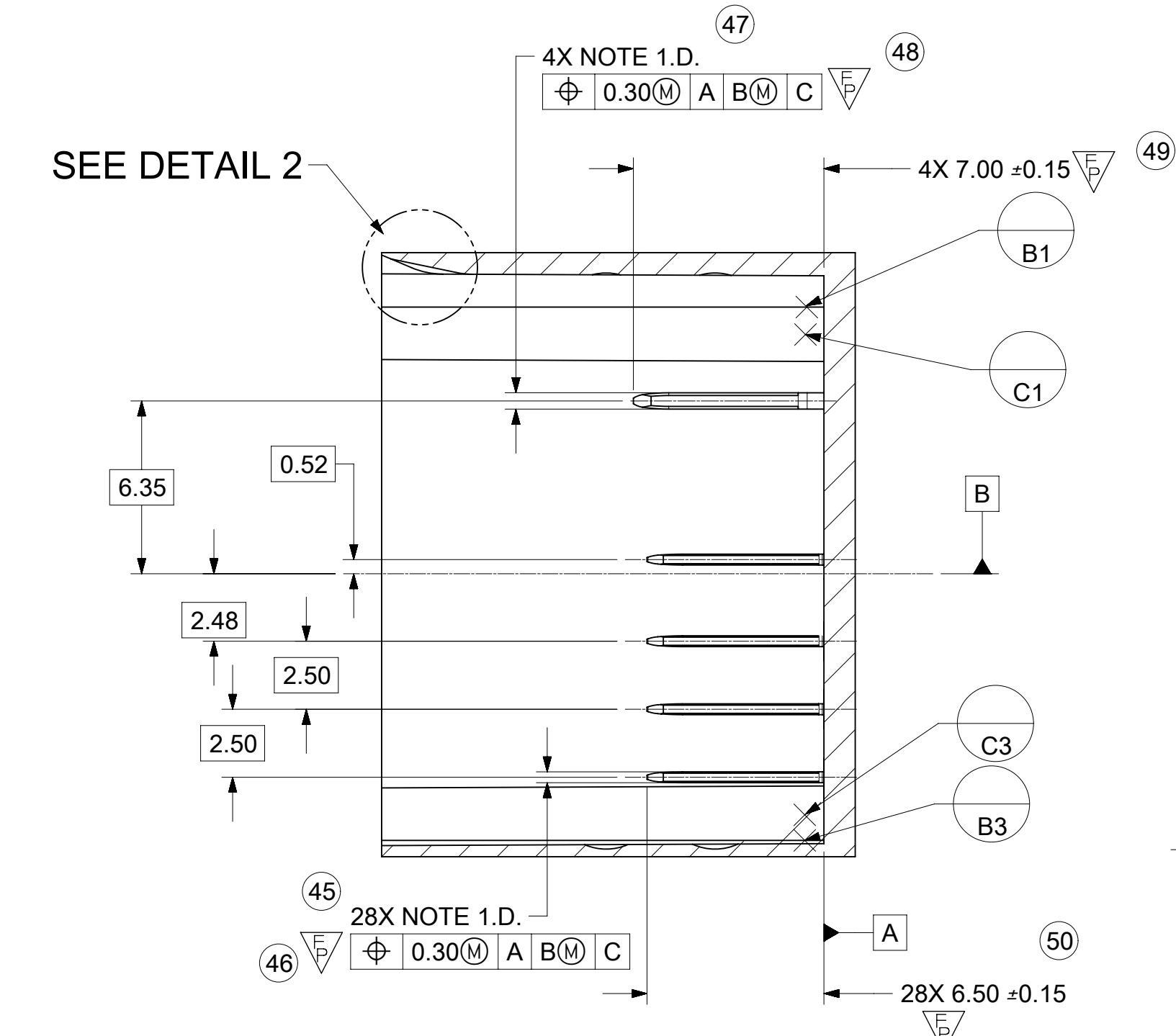
DETAIL 2  
SCALE



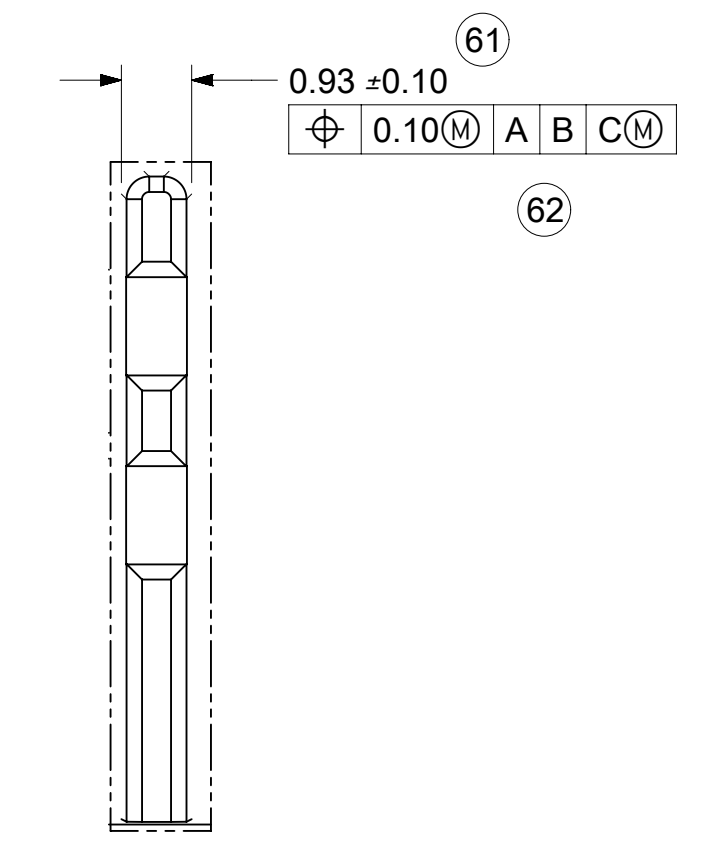
SECTION Y-Y



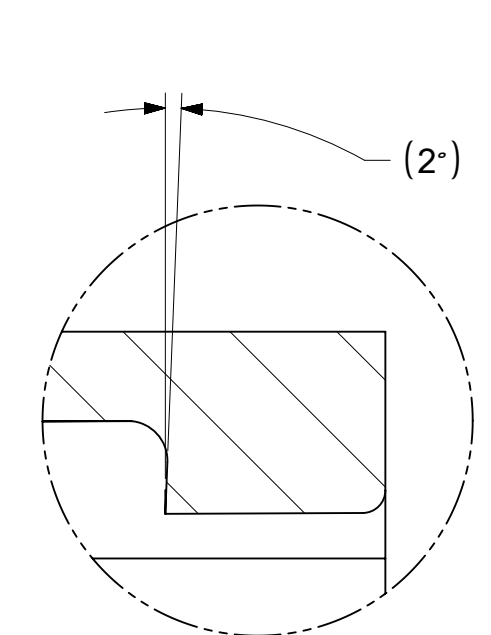
SECTION Z-Z



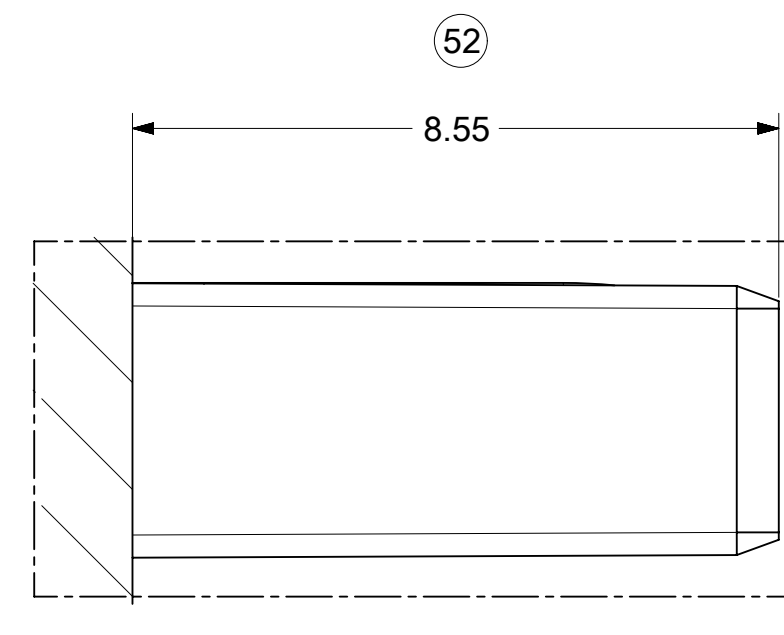
SECTION Z-Z



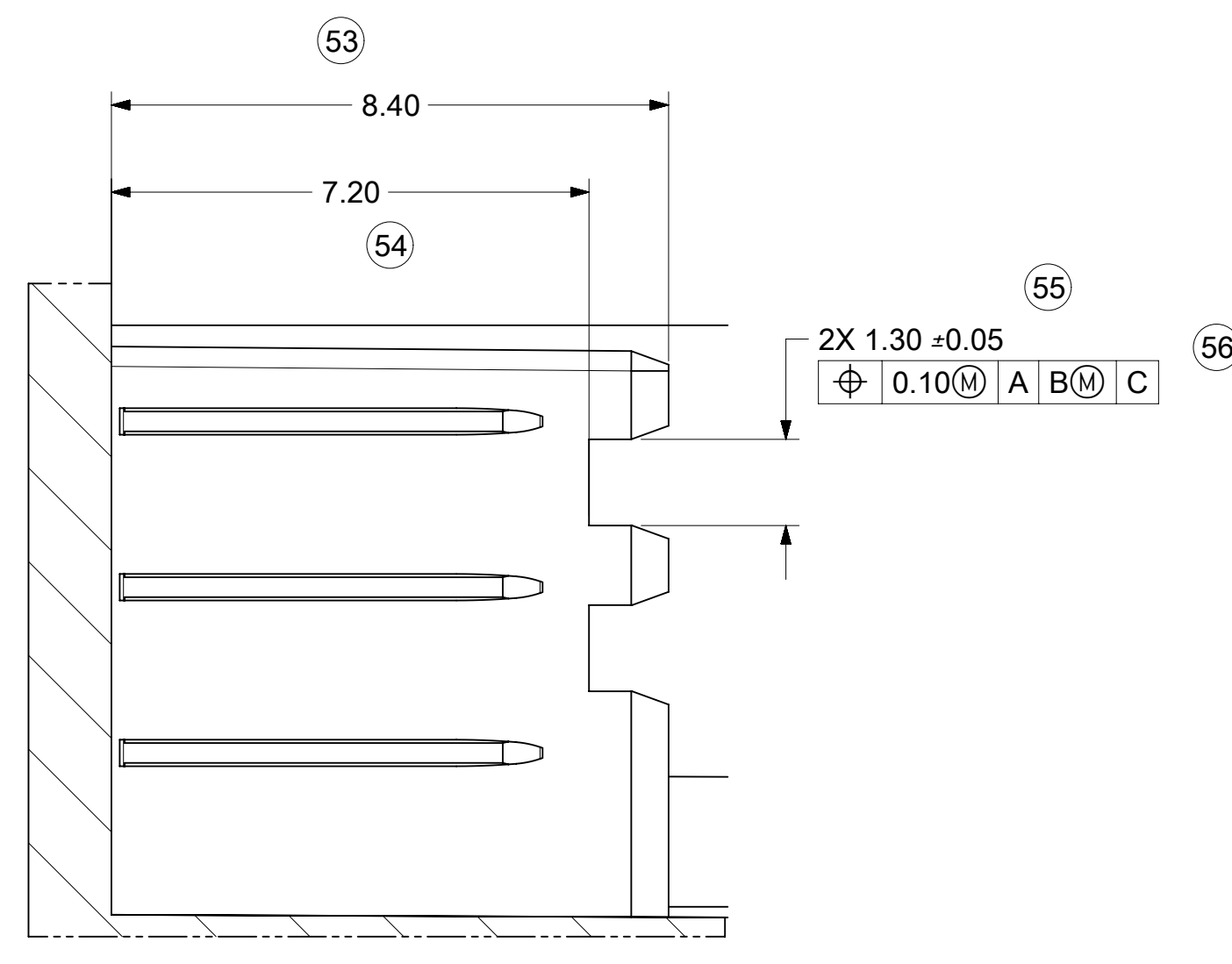
DETAIL 7  
SCALE



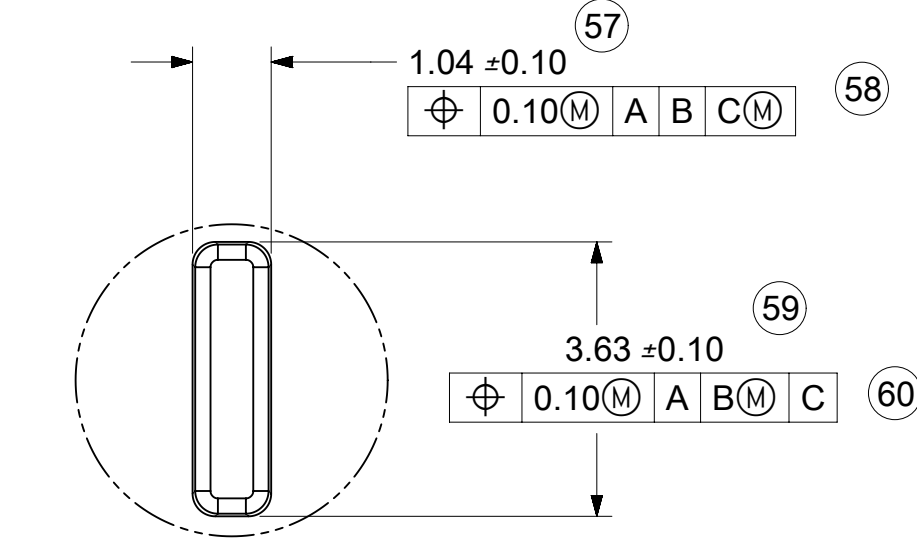
DETAIL 4  
SCALE 15:1



DETAIL 6  
SCALE 10:1



DETAIL 8  
SCALE 10:1

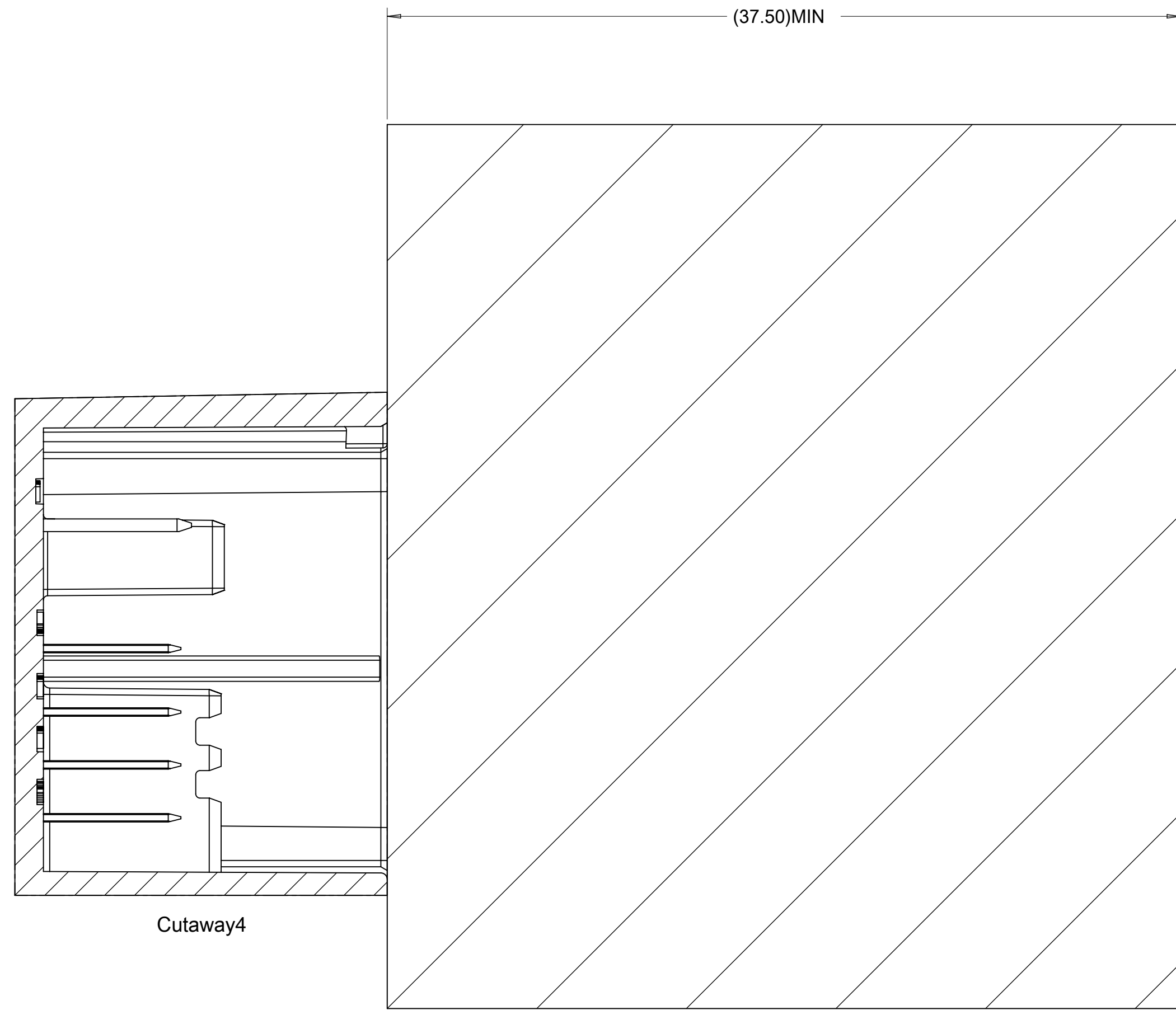


DETAIL 5  
SCALE 10:1

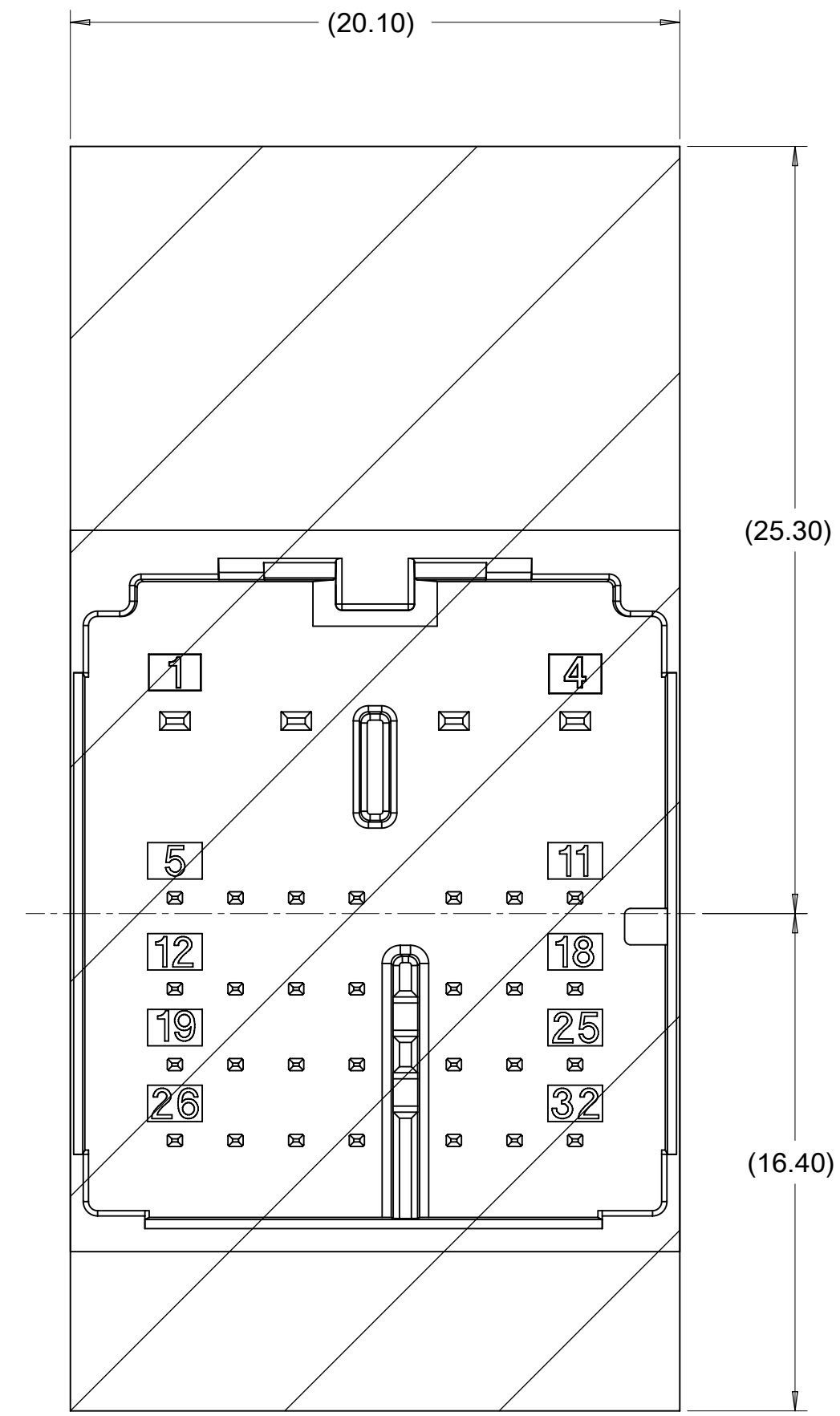
SYMBOLS	THIS DRAWING CONTAINS INFORMATION THAT IS PROPRIETARY TO MOLEX ELECTRONIC TECHNOLOGIES, LLC AND SHOULD NOT BE USED WITHOUT WRITTEN PERMISSION										
	DIMENSION UNITS	SCALE	CURRENT REV DESC: ADDED DIMENSION BALLOONS								
▽ = 0	mm	5:1	EC NO: 602204								
▽ = 0	GENERAL TOLERANCES (UNLESS SPECIFIED)		DRWN: JCONDON 2018/08/02								
▽ = 6	ANGULAR TOL ± °		CHK'D: JCONDON 2018/08/03								
▽ = 0	4 PLACES ±		APPR: MVANSLAMBROU 2018/08/03								
▽ = 0	3 PLACES ±		INITIAL REVISION:								
▽ = 0	2 PLACES ±		DRWN: MYOUNG01 2013/11/14								
▽ = 0	1 PLACE ±		2014/01/02								
▽ = 0	0 PLACES ±		APPR: KDEKOSKI								
⊠ = 0	DRAFT WHERE APPLICABLE MUST REMAIN WITHIN DIMENSIONS		THIRD ANGLE PROJECTION	DRAWING	SERIES	MATERIAL NUMBER CUSTOMER SHEET NUMBER					
▽ = 0				D-SIZE	160028	SD-160028-002		PSD 001	B1		



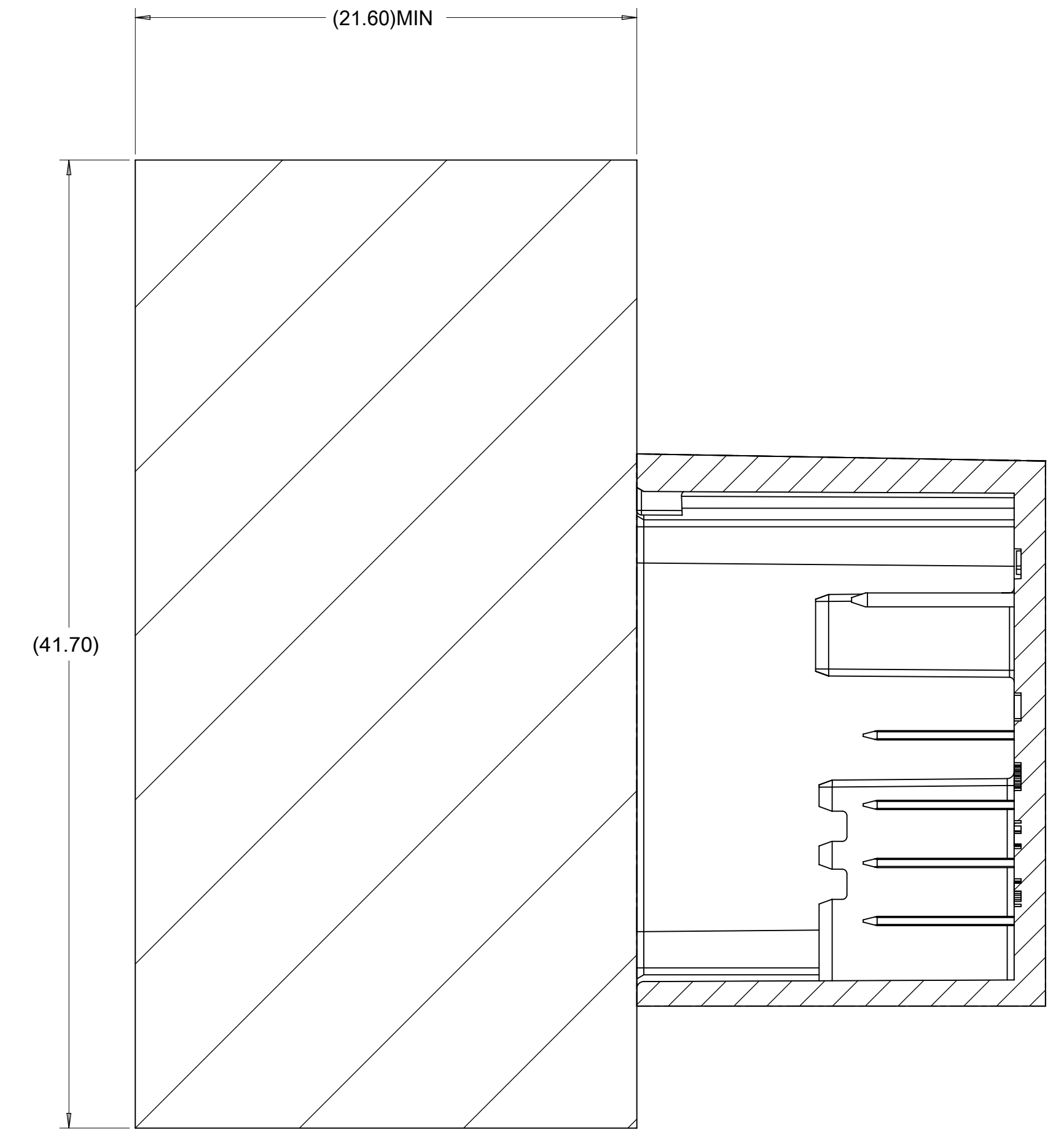
PACKAGE SPACE  
FOR UNMATED  
CONNECTOR



PACKAGE SPACE  
FOR CONNECTOR



PACKAGE SPACE  
FOR MATED  
CONNECTOR  
WITH COVER



SYMBOLS	THIS DRAWING CONTAINS INFORMATION THAT IS PROPRIETARY TO MOLEX ELECTRONIC TECHNOLOGIES, LLC AND SHOULD NOT BE USED WITHOUT WRITTEN PERMISSION		
	DIMENSION UNITS	SCALE	CURRENT REV DESC: ADDED DIMENSION BALLOONS
$\nabla = 0$	mm	5:1	
$\nabla = 0$	GENERAL TOLERANCES (UNLESS SPECIFIED)		
$\nabla = 0$	ANGULAR TOL	$\pm$	$^{\circ}$
$\nabla = 0$	4 PLACES	$\pm$	
$\nabla = 0$	3 PLACES	$\pm$	
$\nabla = 0$	2 PLACES	$\pm$	
$\nabla = 0$	1 PLACE	$\pm$	
$\nabla = 0$	0 PLACES	$\pm$	
$\nabla = 0$	DRAFT WHERE APPLICABLE MUST REMAIN WITHIN DIMENSIONS		
$\nabla = 0$	THIRD ANGLE PROJECTION	DRAWING	SERIES
			D-SIZE 160028
		EC NO: 602204	
		DRWN: JCONDON	2018/08/02
		CHK'D: JCONDON	2018/08/03
		APPR: MVANSLAMBROU	2018/08/03
		INITIAL REVISION:	
		DRWN: MYOUNG01	2013/11/14
		APPR: KDEKOSKI	2014/01/02
DOCUMENT NUMBER		DOC TYPE	DOC PART
SD-160028-002		PSD	001
REVISION		B1	
MATERIAL NUMBER		CUSTOMER	SHEET NUMBER
		GENERAL MARKET	3 OF 3