

PART NUMBER	REV	TERMINATOR	FEED TYPE	DESCRIPTION
2114124-1	1	LEADMAKER	MECH POST FEED	CUTS CARRIER
2114124-2	1	BENCH	MECH PRE FEED	CUTS CARRIER
2114124-6	1	LEADMAKER	MECH POST FEED	CONTINUOUS CARRIER
7-2114124-1	1	LEADMAKER	MECH POST FEED	-1 AND SPARE PARTS
7-2114124-2	1	BENCH	MECH PRE FEED	-2 AND SPARE PARTS
7-2114124-6	1	LEADMAKER	MECH POST FEED	-6 AND SPARE PARTS
7-2114124-7	1	-	-	SPARE PARTS KIT

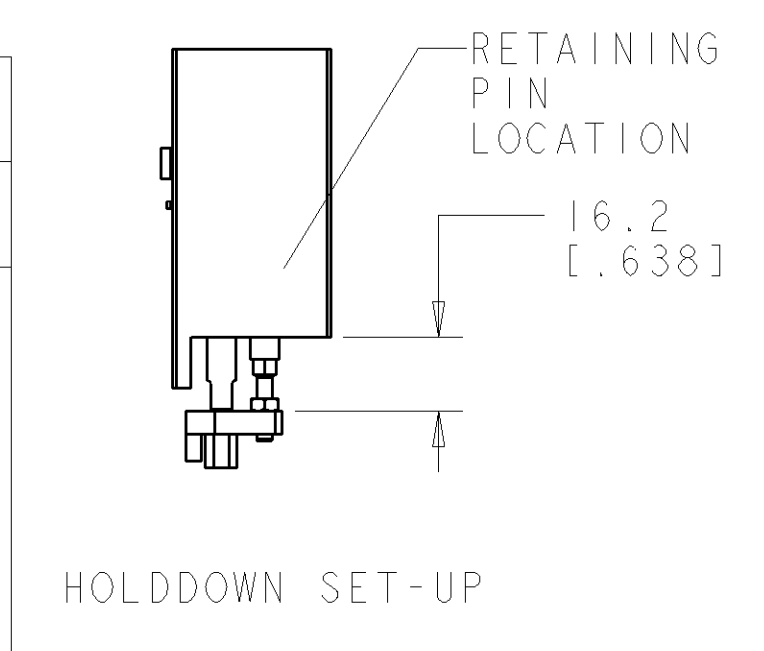
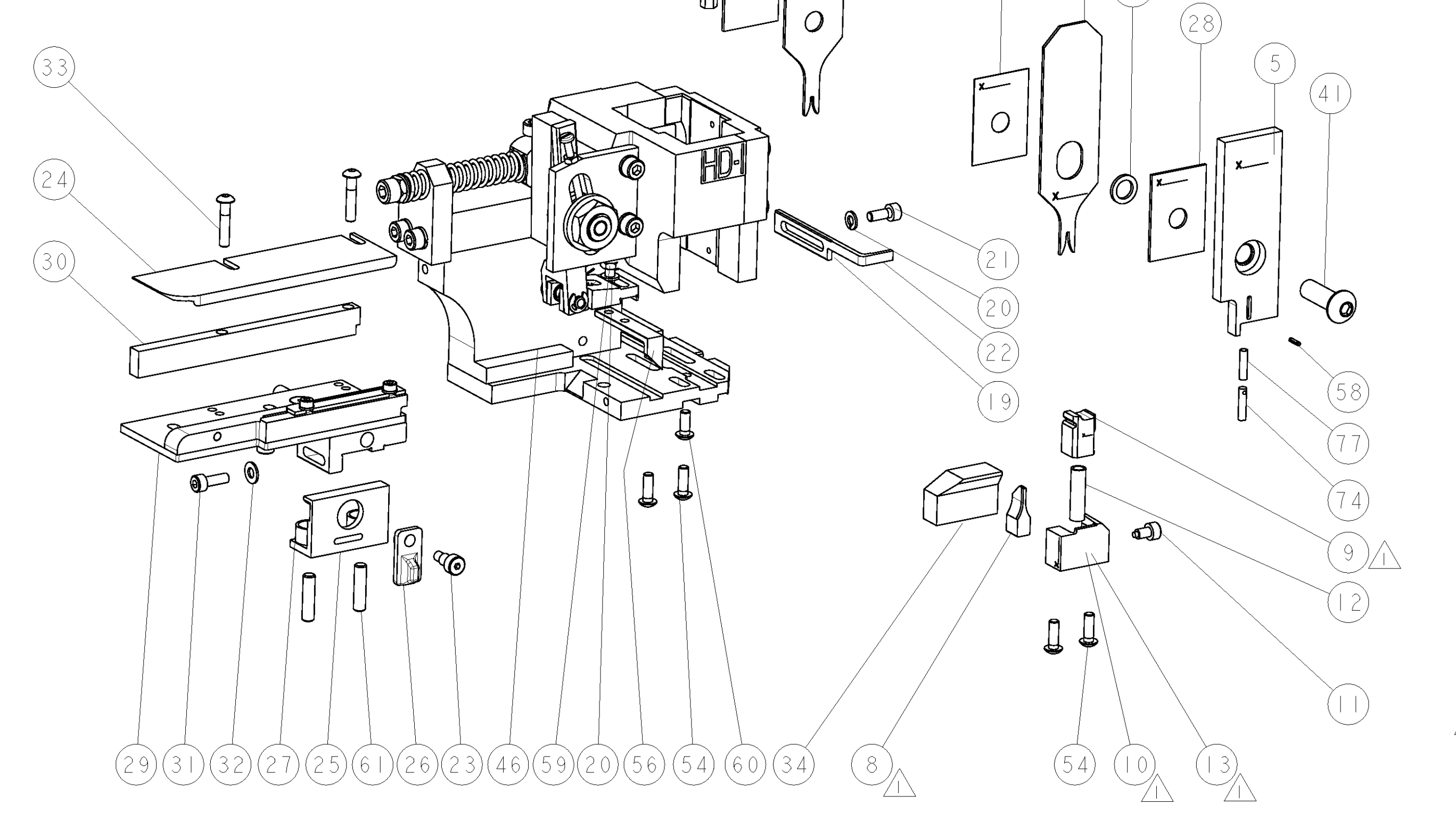
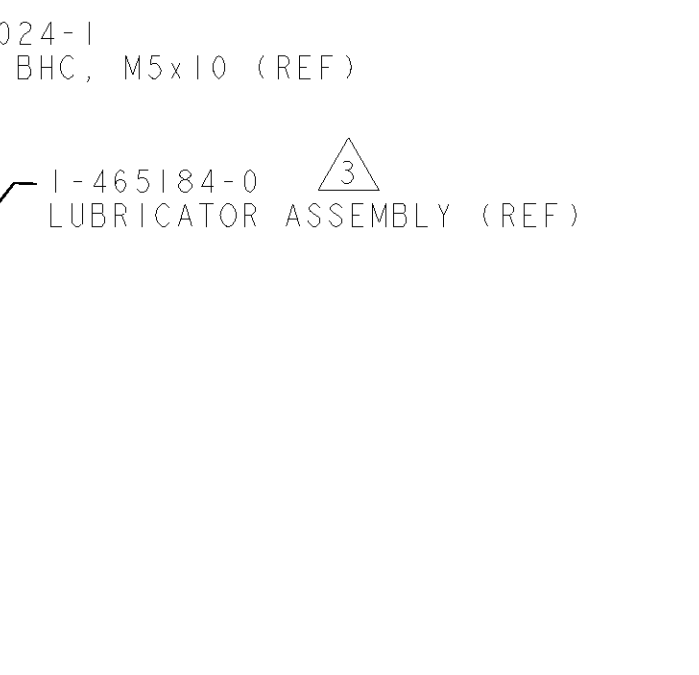
CRIMP	SIZE	TYPE	RANGE
WIRE	1.16 [ .046 IN ]	F	28-22 AWG
INSUL	1.45 [ .057 IN ]	F	∅0.6-1.2mm [ .024-.047 IN ]

WIRE STRIP LENGTH: 1.70-2.30 [ .067-.091 IN ]  
APPL INSTRUCTIONS: 408-8322

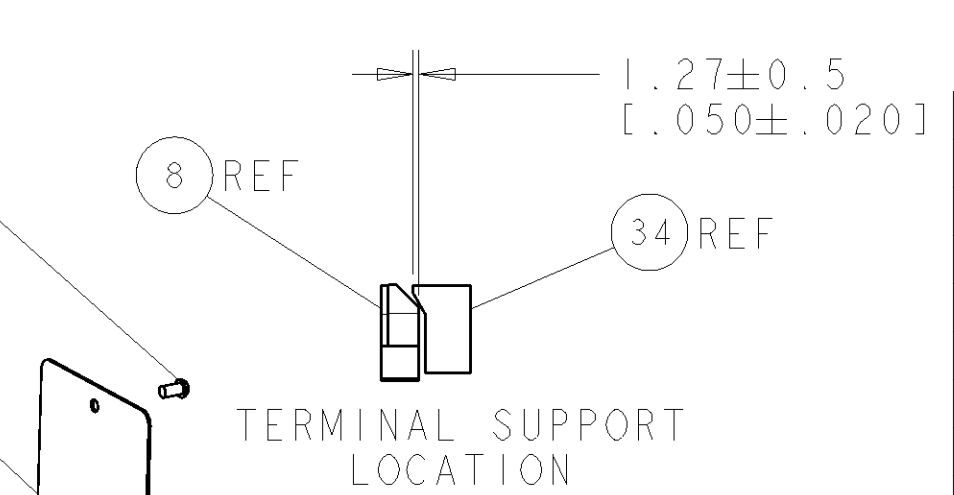
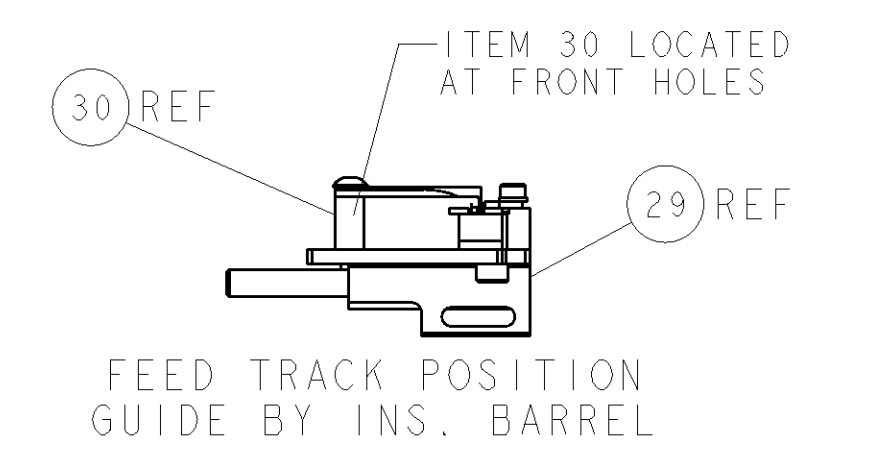
WIRE SIZE	CRIMP HEIGHT	PIN PN & LENGTH [IN]
22AWG	.80 ±0.03 [ .032 ±.001 IN ]	2-354779-8 [ .3130 ]
24AWG	.73 ±0.03 [ .029 ±.001 IN ]	3-354779-3 [ .3155 ]
26AWG	.67 ±0.03 [ .026 ±.001 IN ]	3-354779-8 [ .3180 ]
28AWG	.64 ±0.03 [ .025 ±.001 IN ]	4-354779-0 [ .3190 ]

- △ RECOMMENDED SPARE PARTS.
- 2. GREASE RAM, CAM, CAM FOLLOWER AND FEED ROD LIGHTLY.
- △ CERTAIN TERMINALS REQUIRE LUBRICATION. REFER TO THE APPLICATOR INSTRUCTION SHEET FOR MORE INFORMATION.
- 4. LUBRICATE DAILY PER THE APPLICATOR INSTRUCTION SHEET SUPPLIED WITH THE APPLICATOR.
- 5. APPLY MILD LOCTITE #222 P/N 1-23419-5 TO ITEM 50

VIEW B ROTATED 180°			
POST-FEED 40mm STROKE	POST-FEED 30mm STROKE	PRE-FEED 30mm STROKE	PRE-FEED 40mm STROKE



PROTOTYPE DESIGN NOT RELEASED FOR PRODUCTION



REVISIONS		LOC	DISP	DATE	DWN	APPR
1	DEVELOPMENT	-	-	31MAY2011	D.L.	S.X.

QTY	DESCRIPTION	DATE	DWN	APPR
1	993111-8 PIN, SLOTTED SPRING 3.0 X 12.0			
2	3-22280-7 SPRING, COMPRESSION			
1	1752353-1 GUIDE PIN, HOLDDOWN			
1	1901680-1 GUIDE PIN, HOLDDOWN			
1	1-455888-1 SPACER, CRIMPER			
1	1-22278-0 SPRING, COMPRESSION			
1	854769-1 HOLDER, INS			
1	1338705-1 DOCUMENTATION PACKAGE			
1	461264-1 PLATE, IDENTIFICATION			
2	21017-2 SCREW, DRIVE			
1	986950-1 WASHER, FLAT PRECISION			
1	3-18031-0 SCR, SET, CUP POINT M6 X 6.0			
1	18023-9 SCR, SKT HD CAP M4 X 6.0			
2	2-18032-5 SCR, SET, FLT POINT M5 X 20.0			
1	18024-7 SCR, BTN SKT HD CAP (M4 X 10.0)			
1	5-18022-2 SCR, HEX HD CAP M4 X 8.0			
1	21028-2 PIN, SLOTTED SPRING .062 X .250			
1	1338685-1 PAWL, FEED			
4	18024-8 SCR, BTN SKT HD CAP (M4 X 12.0)			
1	1-18030-0 NUT, HEX, REG M3.5			
1	1-1901681-8 HOLDDOWN, TERMINAL			
1	1-1752354-4 STANDOFF, HOLD-DOWN			
1	18024-3 SCR, BTN SKT HD CAP (M3 X 10.0)			
1	1338675-1 CAM, UNIVERSAL PRE FEED			
1	1338676-1 CAM, UNIVERSAL POST-FEED			
1	1320999-3 APPLICATOR SUBASSEMBLY, HDI			
1	690191-1 PLUG, NYLON			
1	1633724-1 RAM, (SIDE FEED)			
1	690125-1 SHIM SUB-ASSY			
1	690124-4 WASHER, RAM (.135)			
1	2-18024-6 SCR, BTN SKT HD CAP (M8 X 25.0)			
1	23241-1 BALL, STEEL			
1	2-22278-7 SPRING, COMPRESSION			
1	1320922-1 DISC, ADJUST, INSULATION CRIMP			
1	354777-1 WIRE DISC, ASSEMBLY			
1	22480-5 SPRING, COMPRESSION			
1	690212-1 POST, RAM			
1	2-1752356-4 SUPPORT, TERMINAL			
2	1-18024-0 SCR, BTN SKT HD CAP (M4 X 20.0)			
1	18027-2 WASHER, FLAT, REG M4			
1	1-18023-2 SCR, SKT HD CAP M4 X 12.0			
1	1-1320908-7 SPACER, STRIP GUIDE			
1	1633073-1 STRIP GUIDE ASSEMBLY			
1	1-455888-0 SPACER, CRIMPER			
2	1-22284-0 SPRING, COMPRESSION			
1	356835-1 LEVER, DRAG RELEASE			
1	240792-1 DRAG, TERMINAL			
1	1320928-1 PLATE, STRIP GUIDE			
1	980371-4 SCR, SKT HD SHLDR 5.0 DIA X 6.0			
1	690472-2 STRIPPER			
1	1-18023-1 SCR, SKT HD CAP M4 X 10.0			
2	18025-2 WASHER, SPRG LOCK, REG M4			
1	690472-1 STRIPPER			
1	1338684-2 SHEAR HOLDER, FRONT			
1	3-22280-3 SPRING, COMPRESSION			
1	356885-5 STOP, SHEAR			
1	1-1320921-0 SHEAR HOLDER, FRONT, CUT			
1	462006-6 FLOATING SHEAR, FRONT			
1	9-1633703-6 ANVIL, COMBINATION			
1	854772-1 DEPRESSOR, SHEAR			
1	2-238011-0 BLOCK, CRIMPER SPACER			
1	7-1633511-3 CRIMPER, INSULATION F			
1	455888-3 SPACER, CRIMPER			
1	7-1633588-6 CRIMPER, WIRE			