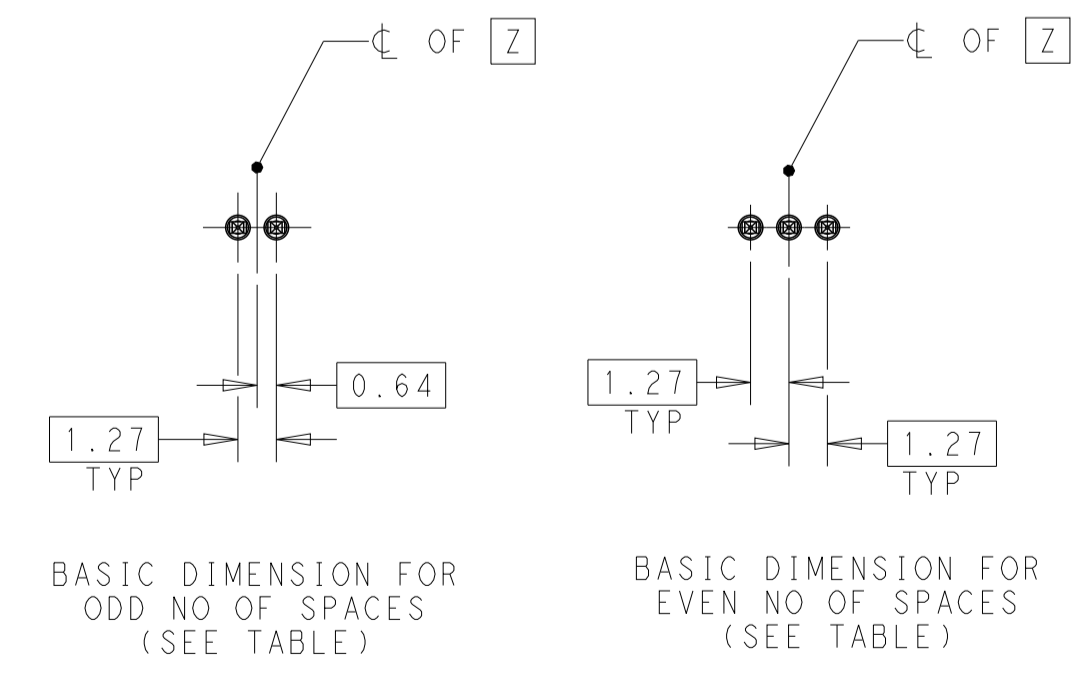
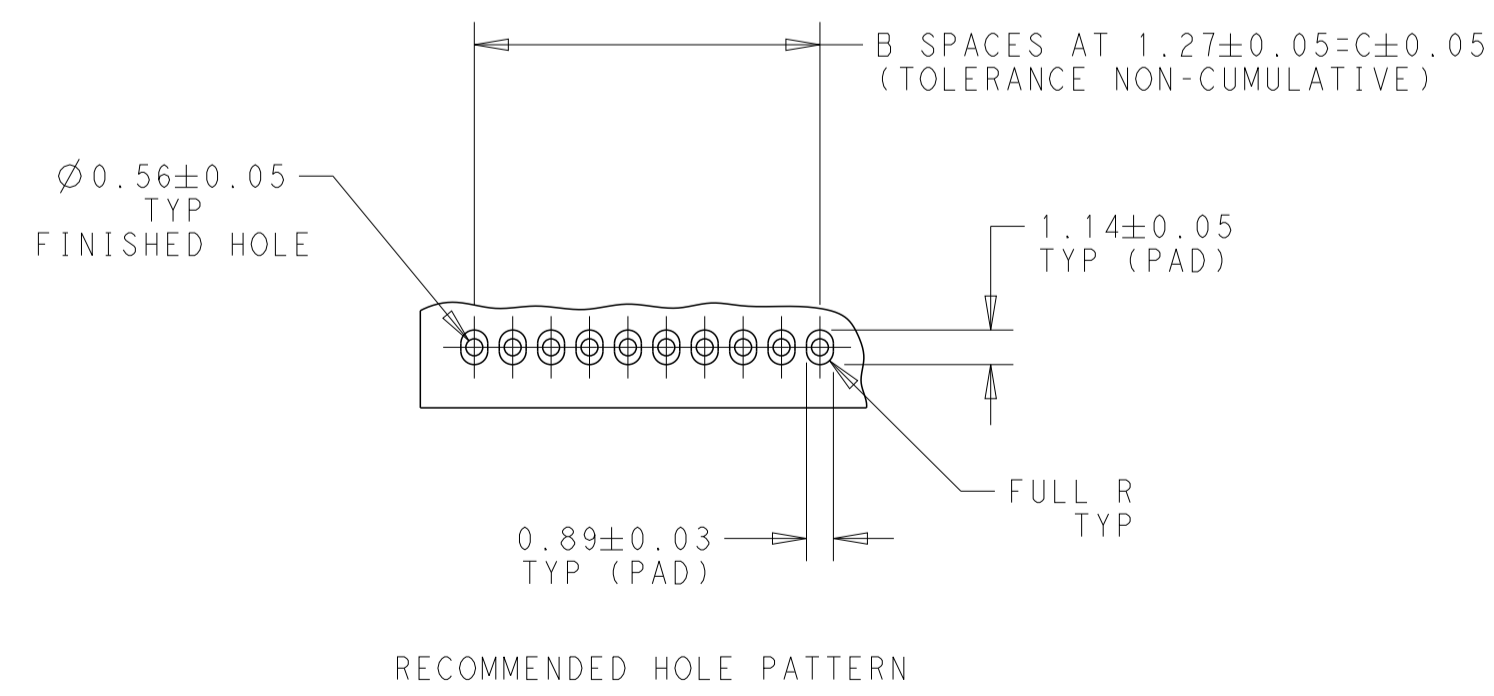
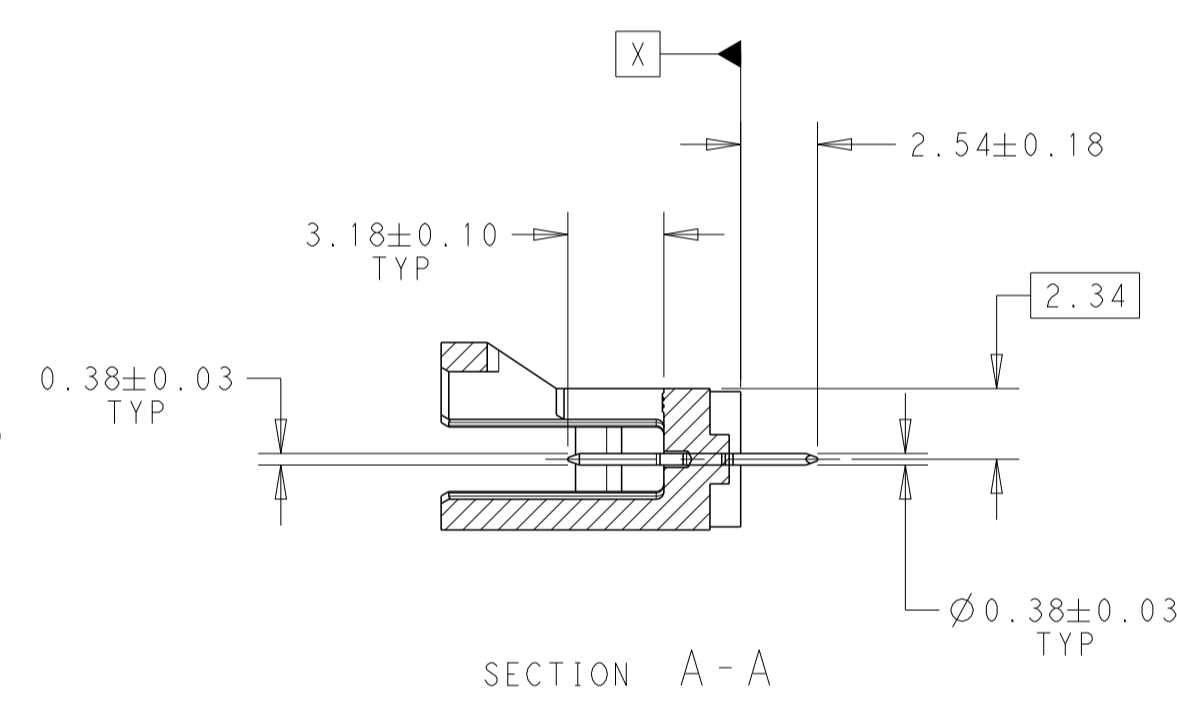
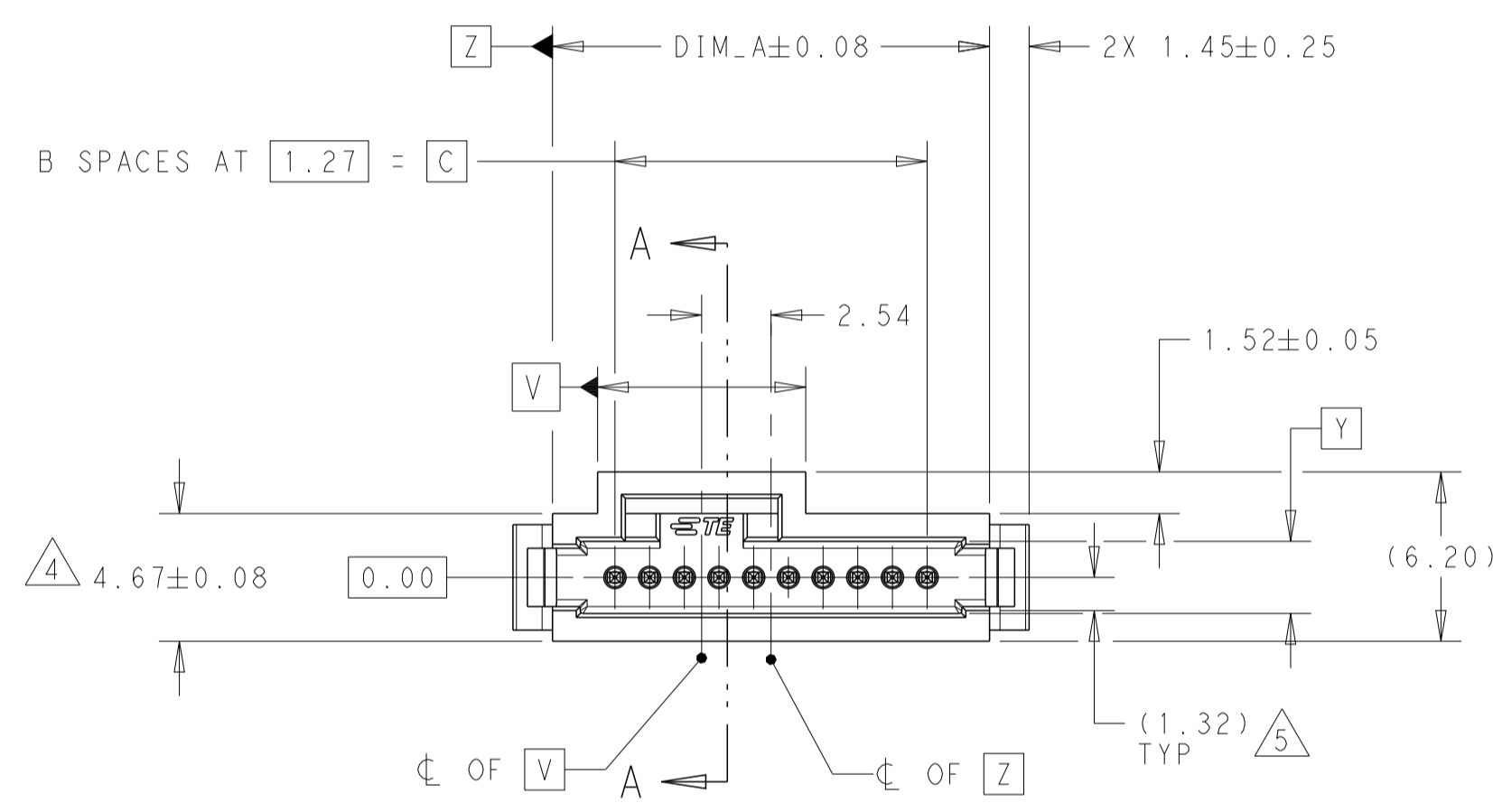
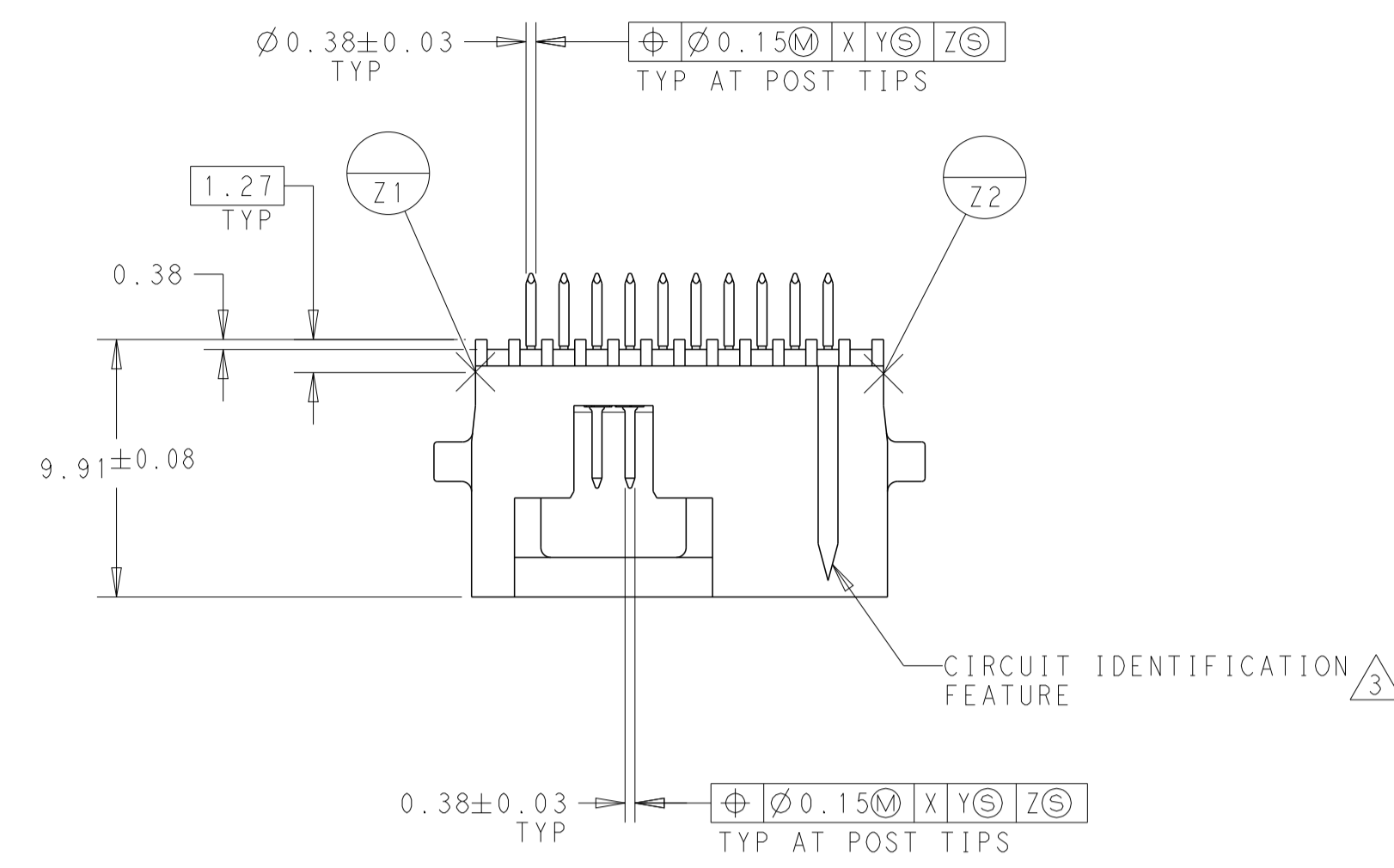
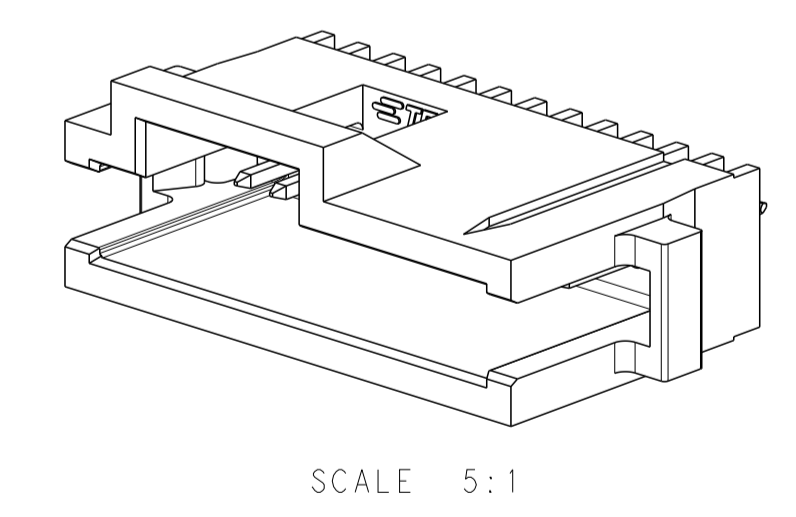


REVISIONS				
P	LTN	DESCRIPTION	DATE	APVD
C		REDRAWN/REVISED PER ECO-17-001745	20NOV2017	KS JO



- △ CONTACT AREAS PLATED WITH 0.76µm GOLD, SOLDER TAILS PLATED WITH 3.81µm TIN-LEAD, ALL OVER 1.27µm NICKEL
- 2. NOTE DELETED.
- △3 CIRCUIT IDENTIFICATION FEATURE OMITTED ON 4, 5, 6, & 7 POSITION HEADER ASSEMBLIES
- △4 DIMENSIONS APPLIES AT BASE OF SHROUD
- △5 THE NOTED DIMENSIONS APPLY AT THE INTERSECTION OF THE POST & HOUSING.
- 6. NOTE DELETED.
- 7. ASSEMBLY MATES WITH FFC CONNECTORS 487973.
- △8 CONTACT AREAS PLATED WITH 0.76µm GOLD, SOLDER TAILS PLATED WITH 3.81µm TIN, ALL OVER 1.27µm NICKEL
- △9 MATERIAL - HOUSING: LCP, COLOR: BLACK CONTACT: COPPER ALLOY



11.43	9	16.00	10	△5-146069-1
11.43	9	16.00	10	△1 146069-1
DIM_C	B SPACES	DIM_A	NO OF POSN	PART NUMBER

THIS DRAWING IS A CONTROLLED DOCUMENT.

DIMENSIONS:	TOLERANCES UNLESS OTHERWISE SPECIFIED:	DWN	R. SHRISHAIL	20NOV2017
mm	0 PLC ±0.3	CHK	J. OLSON	20NOV2017
	1 PLC ±0.13	APVD	J. OLSON	20NOV2017
	2 PLC ±0.13	PRODUCT SPEC		
	3 PLC ±0.13	APPLICATION SPEC		
	4 PLC ±0.13	SIZE	114-25031	RESTRICTED TO
	ANGLES ±0.5°	WEIGHT		
MATERIAL	FINISH	SEE TABLE		

TE Connectivity

NAME: HEADER ASSEMBLY, VERTICAL, SINGLE ROW OFFSET SIDE LATCH & END LATCHES, AMPMODU SYSTEM 50

SIZE: A100779 C=146069

CUSTOMER DRAWING SCALE: 4:1 SHEET 1 OF 1 REV C