

**SINGLE-PHASE GLASS PASSIVATED  
SILICON BRIDGE RECTIFIER  
VOLTAGE RANGE 600 Volts CURRENT 6 Amperes**

**FEATURES**

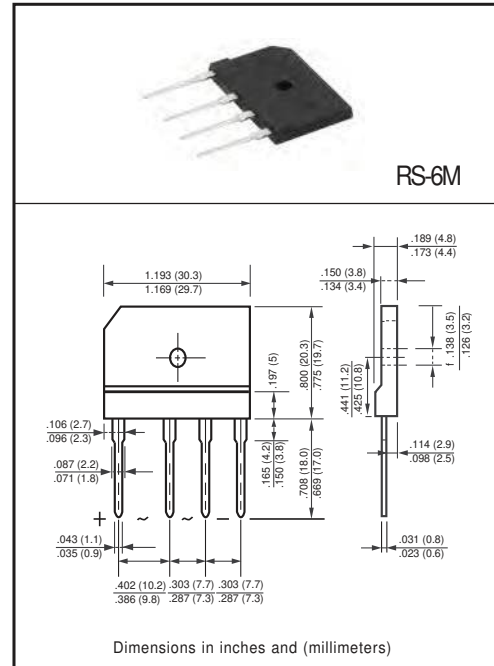
- \* Low leakage
- \* Low forward voltage
- \* Surge overload rating : 250 amperes peak
- \* Mounting position: Any
- \* Ideal for printed circuit boards
- \* High forward surge current capability

**MECHANICAL DATA**

- \* Epoxy: Device has UL flammability classification 94V-O
- \* UL list the recognized component directory, file #E94233
- \* Halogen-free

**MAXIMUM RATINGS AND ELECTRICAL CHARACTERISTICS**

Ratings at 25 °C ambient temperature unless otherwise specified.  
resistive or inductive load.



MAXIMUM RATINGS\*(@ TA=25 °C unless otherwise noted)

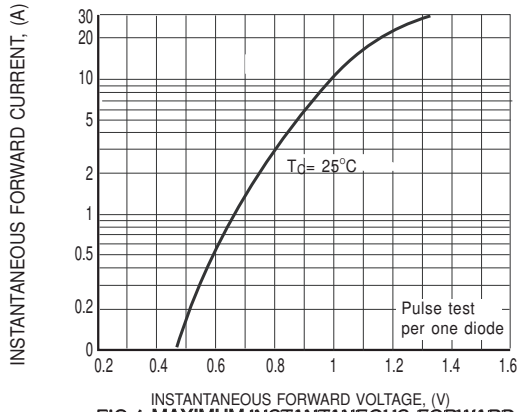
RATINGS	SYMBOL	RS605M-C-LV	UNITS
Maximum Recurrent Peak Reverse Voltage	V <sub>RRM</sub>	600	Volts
Maximum RMS Voltage	V <sub>RMS</sub>	420	Volts
Maximum DC Blocking Voltage	V <sub>DC</sub>	600	Volts
Maximum Average Forward Rectified Current at T <sub>C</sub> = 100°C	I <sub>O</sub>	6	Amps
Insulation voltage	Viso	3000	Volts
Peak Forward Surge Current 8.3 ms single half sine-wave superimposed on rated load (JEDEC method)	I <sub>FSM</sub>	250	Amps
Typical Current Squared Time	I <sup>2</sup> T	259.3	A <sup>2</sup> S
Typical Thermal Resistance (Note 1)	R <sub>θJC</sub>	1.5	°C/W
	R <sub>θJA</sub>	22	
Operating and Storage Temperature Range	T <sub>J</sub> , T <sub>STG</sub>	-55 to + 150	°C

ELECTRICAL CHARACTERISTICS(@TA=25 °C unless otherwise noted)

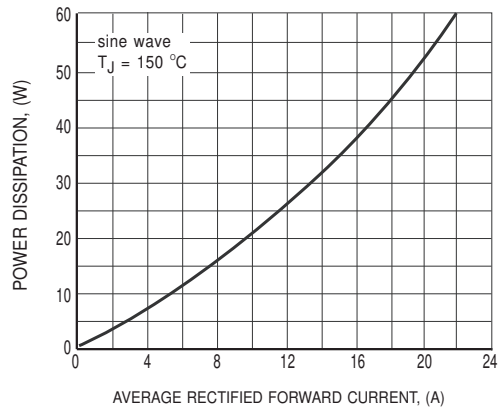
CHARACTERISTICS	SYMBOL	RS605M-C-LV	UNITS
Maximum Instantaneous Forward Voltage at 6 A DC	V <sub>F</sub>	0.9	Volts
Maximum DC Reverse Current at Rated DC Blocking Voltage	I <sub>R</sub>	@T <sub>A</sub> = 25°C	5.0
		@T <sub>A</sub> = 100°C	200

NOTES : 1. Thermal Resistance : Heat-sink case mounted or if PCB mounted.

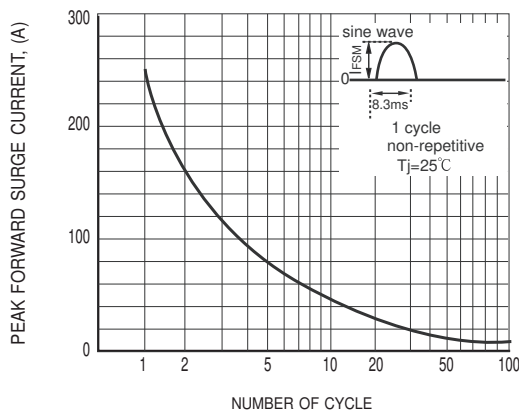
## RATING AND CHARACTERISTICS CURVES ( RS605M -C-LV)



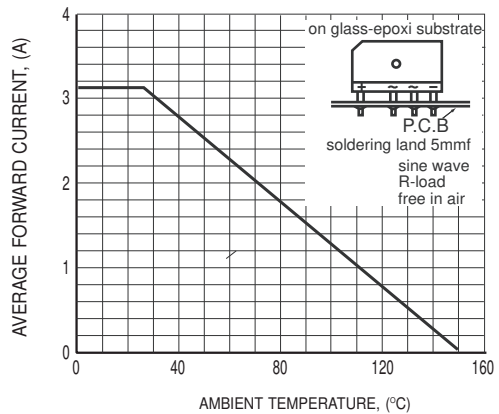
**FIG.1 MAXIMUM INSTANTANEOUS FORWARD CHARACTERISTICS**



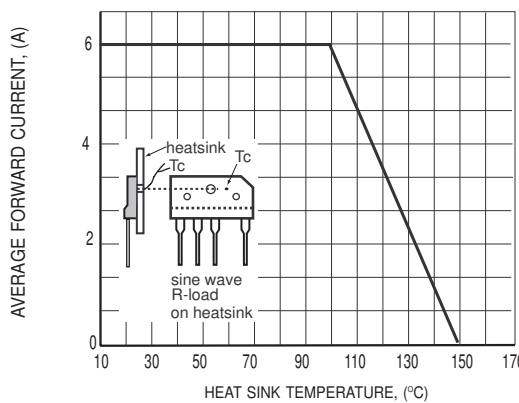
**FIG.2 POWER DISSIPATION**



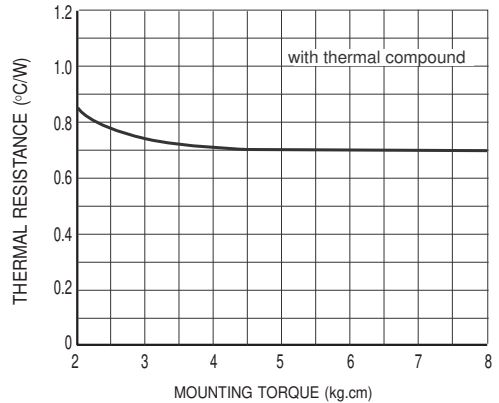
**FIG.3 SURGE FORWARD CURRENT CAPABILITY**



**FIG.4 TYPICAL FORWARD CURRENT DERATING CURVE**

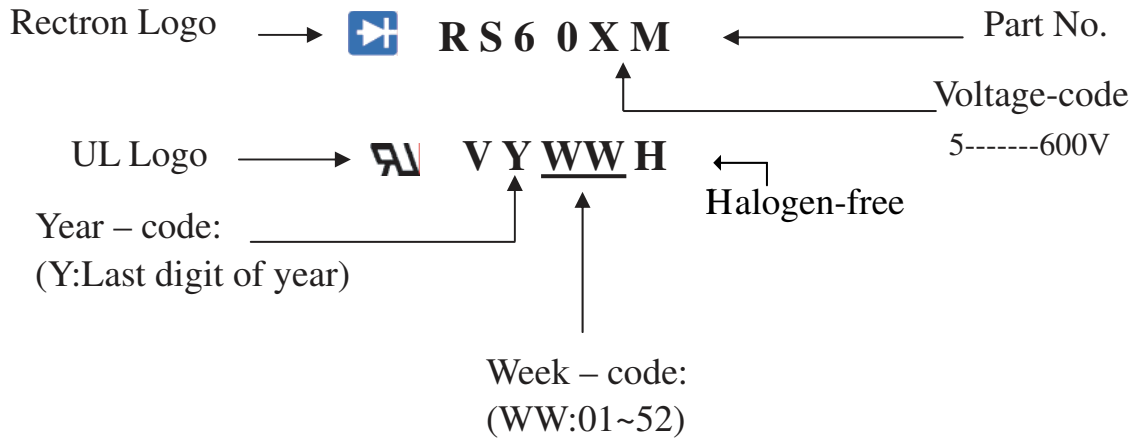


**FIG.5 TYPICAL FORWARD CURRENT DERATING CURVE**



**FIG.6 CONTACT THERMAL RESISTANCE fcf**

## Marking Description



## PACKAGING OF DIODE AND BRIDGE RECTIFIERS

### BULK PACK

PACKAGE	PACKING CODE	EA PER BOX	INNER BOX SIZE (mm)	CARTON SIZE (mm)	EA PER CARTON	GROSS WEIGHT(Kg)
RS-6M	-B	300	230*190*46	410*243*157	1,800	13.37

### TUBE PACK

PACKAGE	PACKING CODE	EA PER BOX	INNER BOX SIZE (mm)	CARTON SIZE (mm)	EA PER CARTON	WEIGHT(Kg)
RS-6M	-C	600	490*135*110	510*293*131	1,200	13.12

## DISCLAIMER NOTICE

Rectron Inc reserves the right to make changes without notice to any product specification herein, to make corrections, modifications, enhancements or other changes. Rectron Inc or anyone on its behalf assumes no responsibility or liability for any errors or inaccuracies. Data sheet specifications and its information contained are intended to provide a product description only. "Typical" parameters which may be included on RECTRON data sheets and/ or specifications can and do vary in different applications and actual performance may vary over time. Rectron Inc does not assume any liability arising out of the application or use of any product or circuit.

Rectron products are not designed, intended or authorized for use in medical, life-saving implant or other applications intended for life-sustaining or other related applications where a failure or malfunction of component or circuitry may directly or indirectly cause injury or threaten a life without expressed written approval of Rectron Inc. Customers using or selling Rectron components for use in such applications do so at their own risk and shall agree to fully indemnify Rectron Inc and its subsidiaries harmless against all claims, damages and expenditures.