

213893-1 ✓ ACTIVE

AMP | AMP CPC

TE Internal #: 213893-1

Circular Power Connectors, Housing, 250 VDC, Wire-to-Wire, 10 Position, Wire & Cable, Receptacle, Reverse Gender, Socket, Power & Signal, AMP CPC

[View on TE.com >](#)



Connectors > Power Connectors > Circular Power > Circular Power Connectors



Connector Product Type: **Housing**

Operating Voltage: **250 VDC**

Connector System: **Wire-to-Wire**

Number of Positions: **10**

Sealable: **No**

Features

Product Type Features

Connector Product Type	Housing
Connector System	Wire-to-Wire
Sealable	No
Connector & Contact Terminates To	Wire & Cable
Connector & Housing Type	Receptacle
Circular Connector Shell Type	All Plastic

Configuration Features

Reverse Numbering	With
Number of Positions	10
Number of Power Positions	2
Number of Signal Positions	8

Electrical Characteristics

Operating Voltage	250 VAC
-------------------	---------

Contact Features

Reverse Gender	Yes
Contact Type	Socket
Contact Protection	With

Mechanical Attachment



Mating Alignment Type	Keyed
Mating Alignment	With
Panel Mount Feature Type	Flange with Mounting Holes
Mating Retention Type	Threaded Coupling
Thread Size	15/16-20 UNEF – 2A
Polarization Code	A
Connector Mounting Type	Panel Mount
Mating Retention	With
Panel Mount Feature	With

Housing Features

Body Orientation	Straight
Housing Color	Black
Housing Material	Nylon
Circular Connector Shell Size	17

Dimensions

Compatible Insulation Diameter Range	1.5 – 3.3 mm, 3.96 – 6.6 mm [.06 – .13 in] [.156 – .26 in]
--------------------------------------	--

Usage Conditions

Operating Temperature Range	-55 – 105 °C [-67 – 221 °F]
Fluid Resistance	None

Operation/Application

Circuit Application	Power & Signal
Shielded	No

Industry Standards

UL Flammability Rating	UL 94V-0
------------------------	----------

Packaging Features

Packaging Quantity	1
Packaging Method	Package

Product Compliance

For compliance documentation, visit the product page on [TE.com](https://www.te.com)>

EU RoHS Directive 2011/65/EU	Compliant
------------------------------	-----------

EU ELV Directive 2000/53/EC

Compliant

China RoHS 2 Directive MIIT Order No 32, 2016

No Restricted Materials Above Threshold

EU REACH Regulation (EC) No. 1907/2006

Current ECHA Candidate List: JUNE 2023 (235)

Candidate List Declared Against: JAN 2023 (233)

Does not contain REACH SVHC

Halogen Content

BFR/CFR/PVC Free, but Br/Cl >900 ppm in other sources.

Solder Process Capability

Not applicable for solder process capability

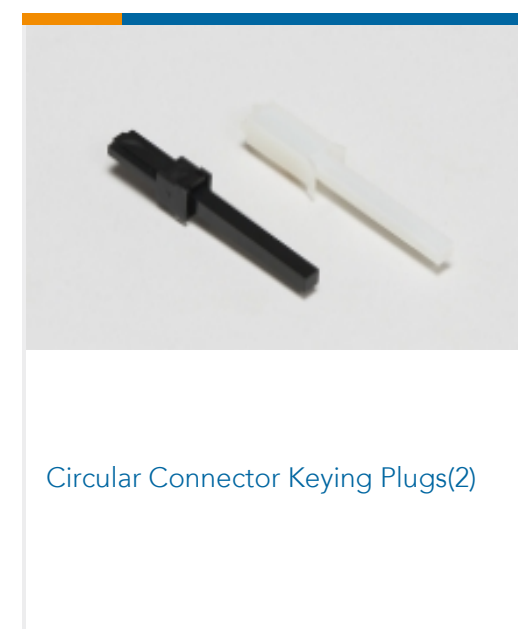
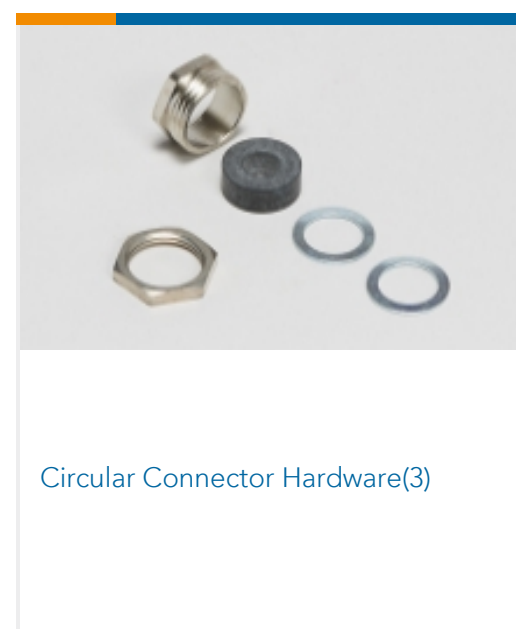
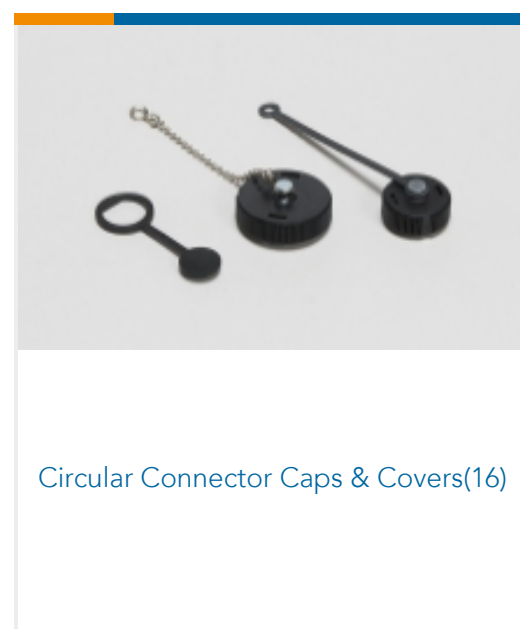
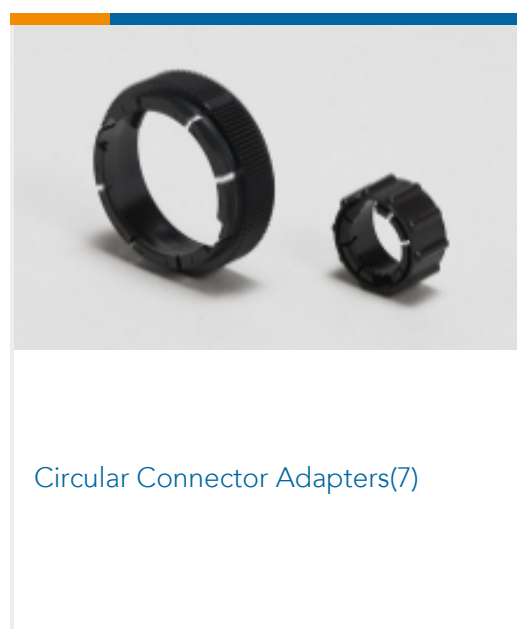
Product Compliance Disclaimer

This information is provided based on reasonable inquiry of our suppliers and represents our current actual knowledge based on the information they provided. This information is subject to change. The part numbers that TE has identified as EU RoHS compliant have a maximum concentration of 0.1% by weight in homogenous materials for lead, hexavalent chromium, mercury, PBB, PBDE, DBP, BBP, DEHP, DIBP, and 0.01% for cadmium, or qualify for an exemption to these limits as defined in the Annexes of Directive 2011/65/EU (RoHS2). Finished electrical and electronic equipment products will be CE marked as required by Directive 2011/65/EU. Components may not be CE marked. Additionally, the part numbers that TE has identified as EU ELV compliant have a maximum concentration of 0.1% by weight in homogenous materials for lead, hexavalent chromium, and mercury, and 0.01% for cadmium, or qualify for an exemption to these limits as defined in the Annexes of Directive 2000/53/EC (ELV). Regarding the REACH Regulation, the information TE provides on SVHC in articles for this part number is based on the latest European Chemicals Agency (ECHA) 'Guidance on requirements for substances in articles' posted at this URL: <https://echa.europa.eu/guidance-documents/guidance-on-reach>

Compatible Parts



Also in the Series | AMP CPC





Circular Connector Seals(36)



Circular Power Connectors(459)



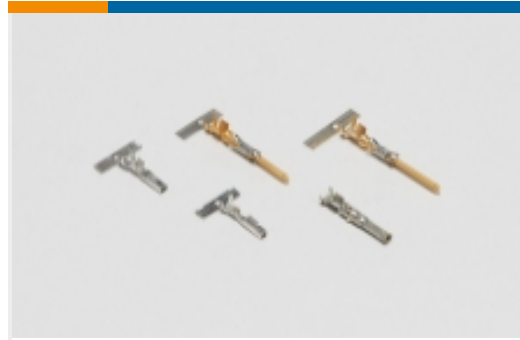
Connector Backshells(56)



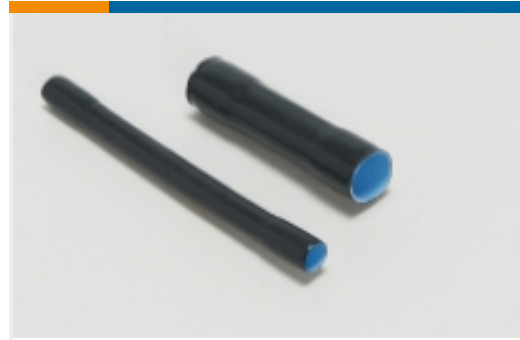
Connector Strain Relief(6)



Insertion & Extraction Tools(1)

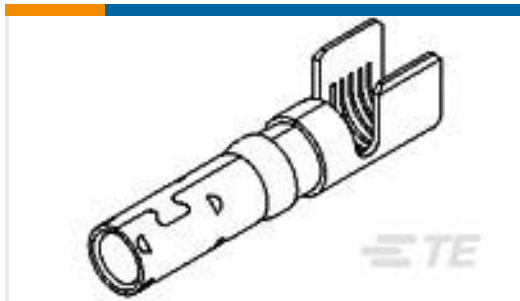


Power Contacts(6)



Sealing Sleeves(2)

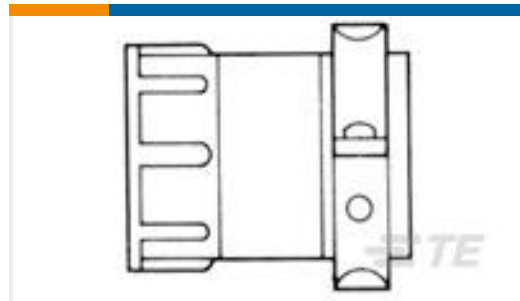
Customers Also Bought



TE Part #213843-4
PWRBAND SKT CNT ASSY,8-10,L.P.



TE Part #211401-1
RECEPT,SZ 13-7,CPC



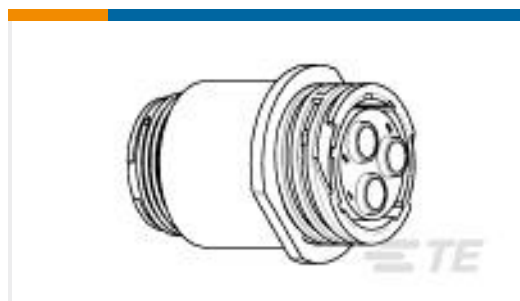
TE Part #206322-9
CABLE CLAMP SIZE 17



TE Part #66105-3
III+ SKT,24-20,15AU/FL,LP



TE Part #213906-1
CPC PLUG ASSY,SRS 6,SZ 17-10



TE Part #796112-1
CPC 17-3 RCPT ASY,REV SEX



TE Part #2-66740-1
TYPE XII FEMALE CONT (LP)



TE Part #323152
DG 22-16COM 22-18MIL HR R 8



TE Part #3-2213767-5
AV19 SPL 5A MOVE RING LED GREEN 24V

Documents



Product Drawings

[CPC RCPT,FLNGE MNT,SRS 6,17-10](#)

English

CAD Files

[3D PDF](#)

English

Customer View Model

[ENG_CVM_213893-1_C.2d_dxf.zip](#)

English

Customer View Model

[ENG_CVM_213893-1_C.3d_igs.zip](#)

English

Customer View Model

[ENG_CVM_213893-1_C.3d_stp.zip](#)

English

[3D PDF](#)

3D

Customer View Model

[ENG_CVM_CVM_213893-1_K.2d_dxf.zip](#)

English

Customer View Model

[ENG_CVM_CVM_213893-1_K.3d_igs.zip](#)

English

Customer View Model

[ENG_CVM_CVM_213893-1_K.3d_stp.zip](#)

English

By downloading the CAD file I accept and agree to the [Terms and Conditions](#) of use.

Product Specifications

[Product Specification](#)

English

Agency Approvals

[CSA Certificate](#)

English

[CSA Certificate](#)

English