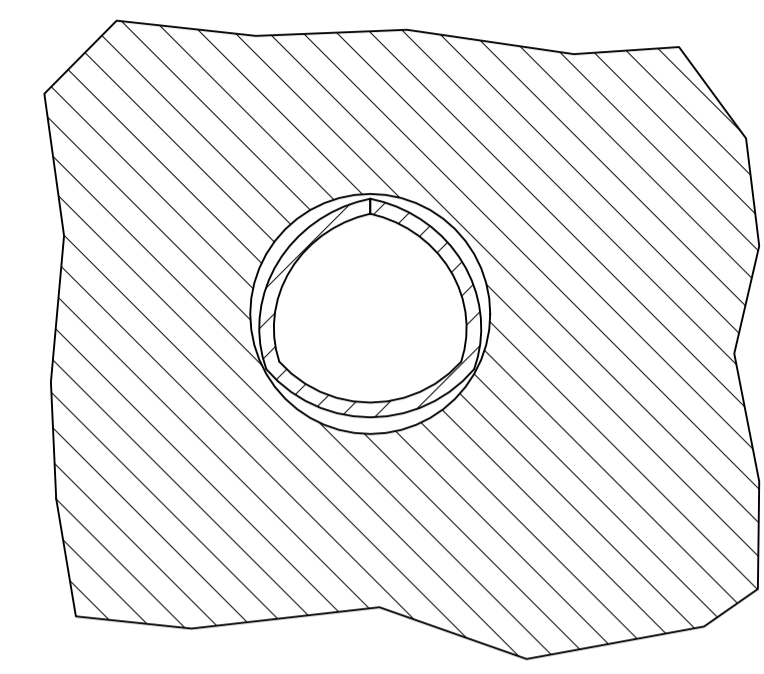
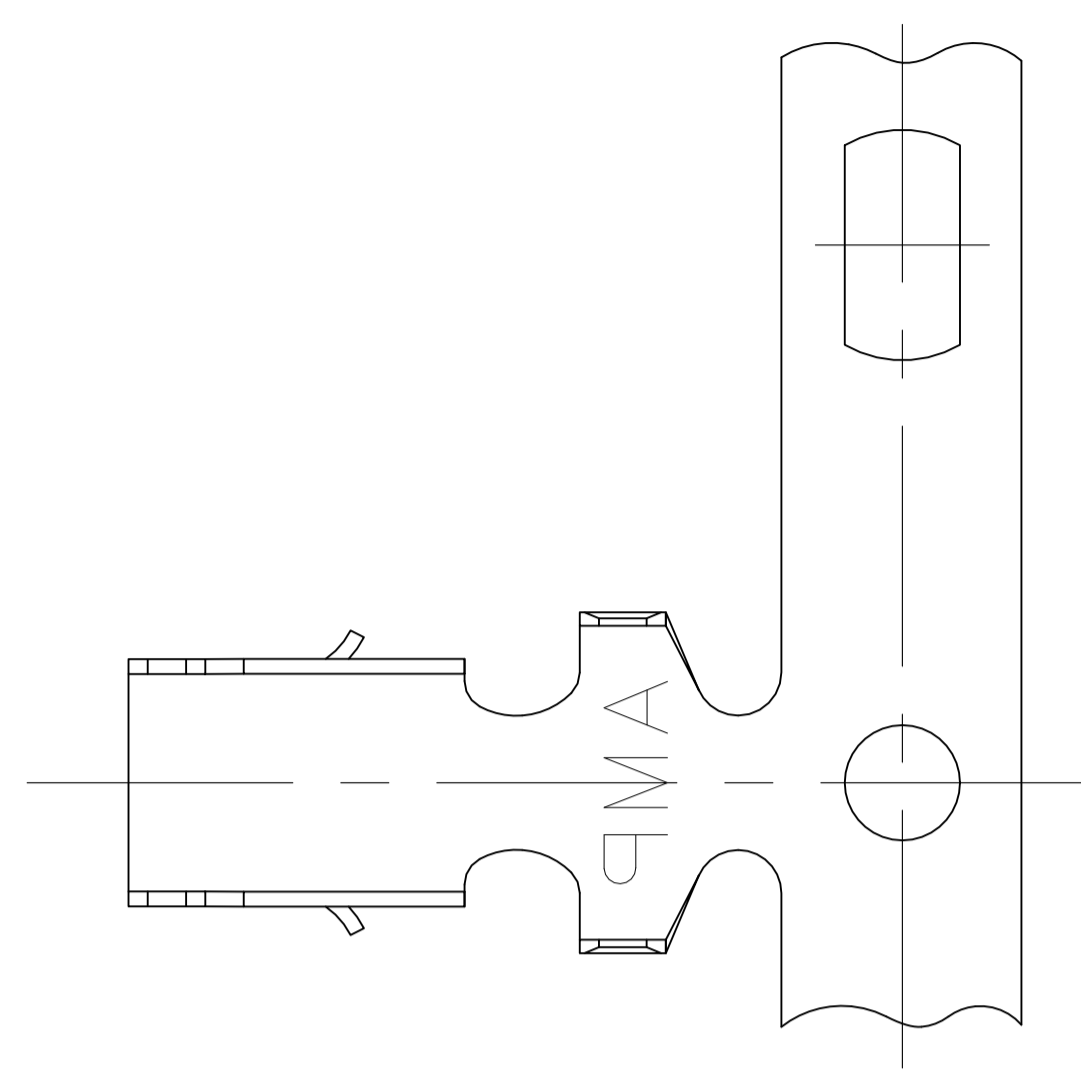
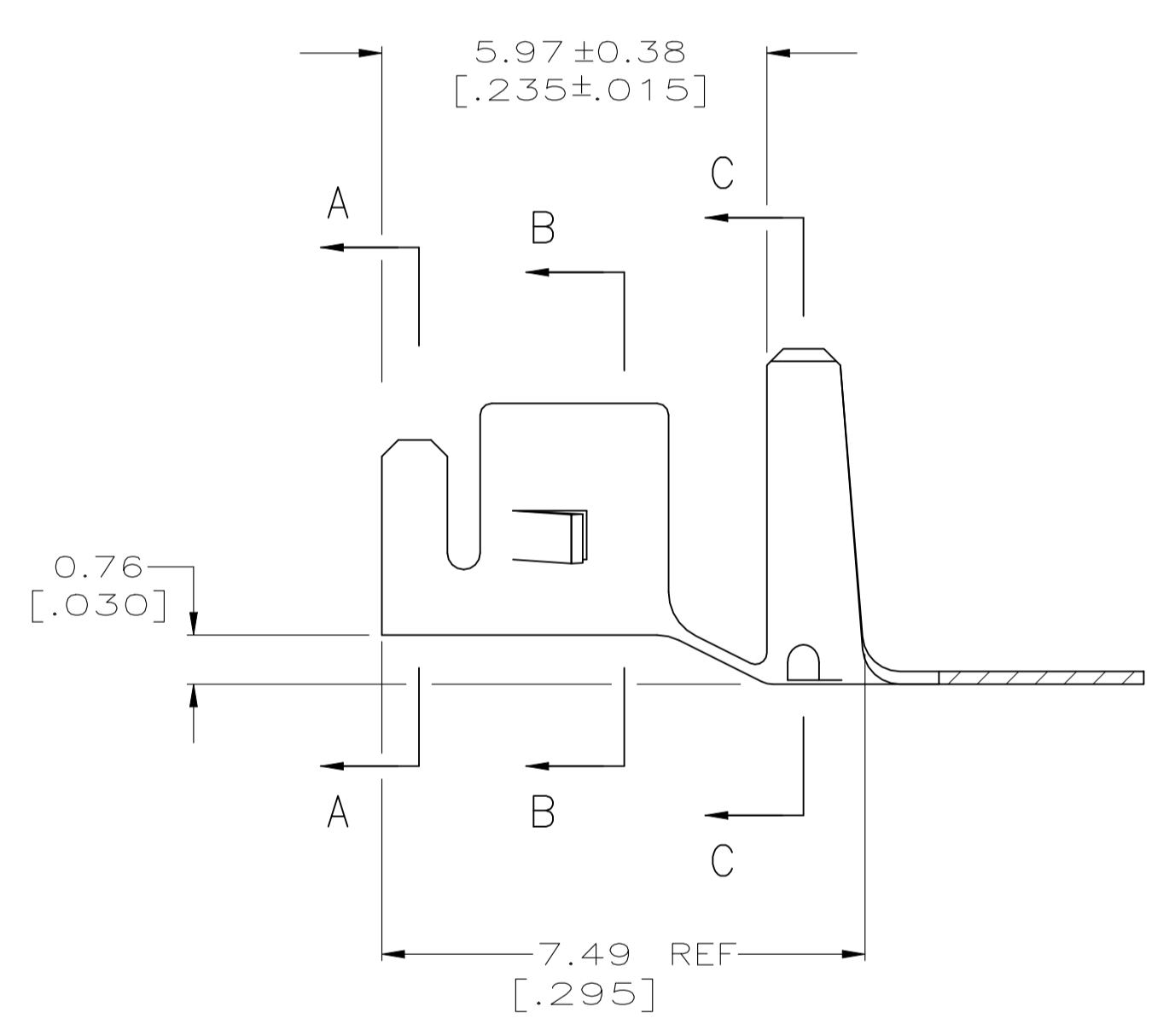


REVISIONS				
P	LTR	DESCRIPTION	DATE	APVD
R1		REVISED PER ECR-23-175129	18MAY2023	SK DZ

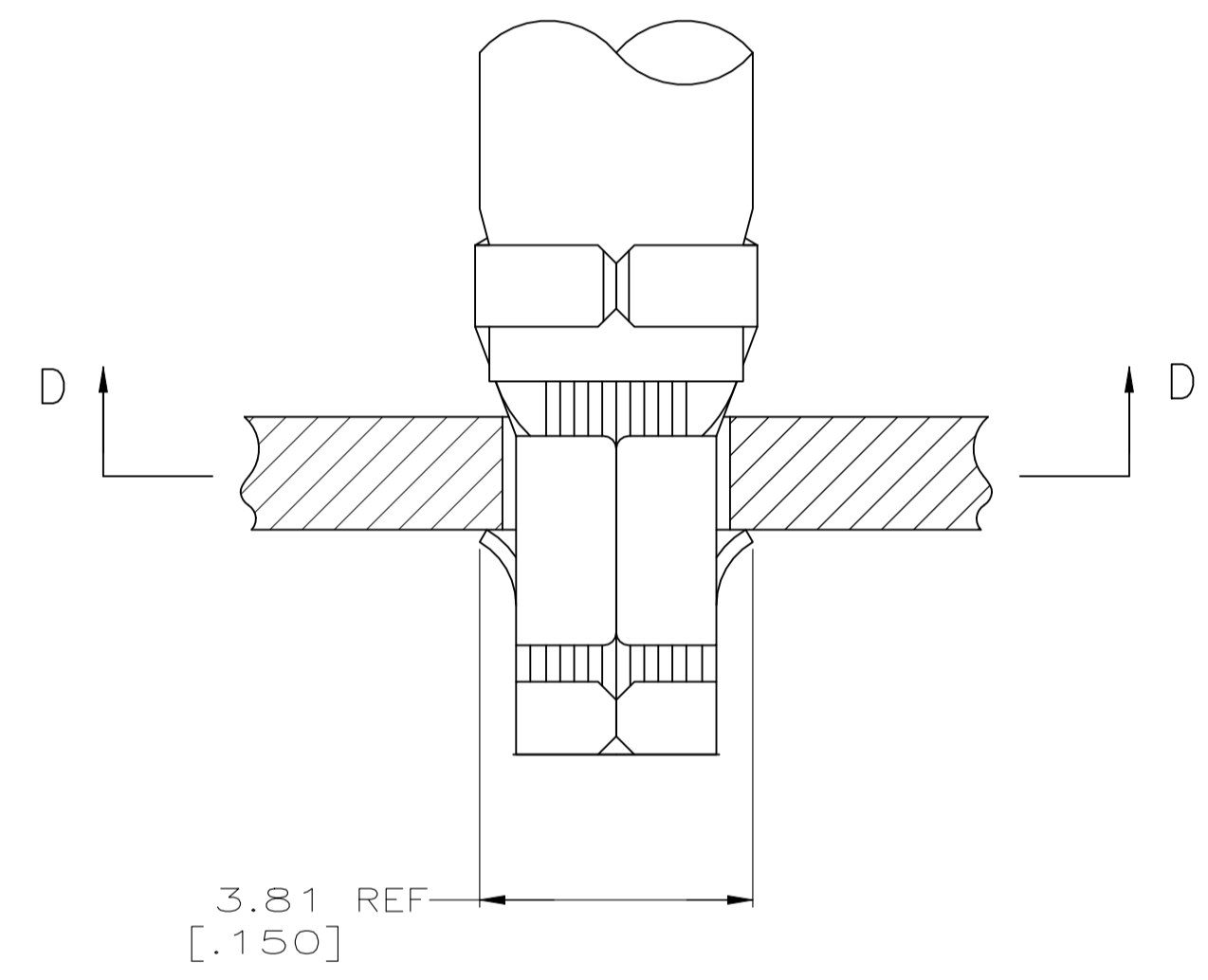
- 1 PARTS COMPLY WITH AMP SOLDERABILITY SPEC 109-11-3.
- 2 0.00508 [.000200] MIN BRIGHT TIN-LEAD.
- 3 WIRE RANGE: 0.80 - 2.0 mm<sup>2</sup> [18 - 14 AWG].
- 4 INSULATION RANGE: 2.29 - 3.81 [.090 - .150] DIA.
- 5 DIMENSIONS IN BRACKETS ARE IN INCHES.
- 6 0.00508 [.000200] MIN BRIGHT TIN.



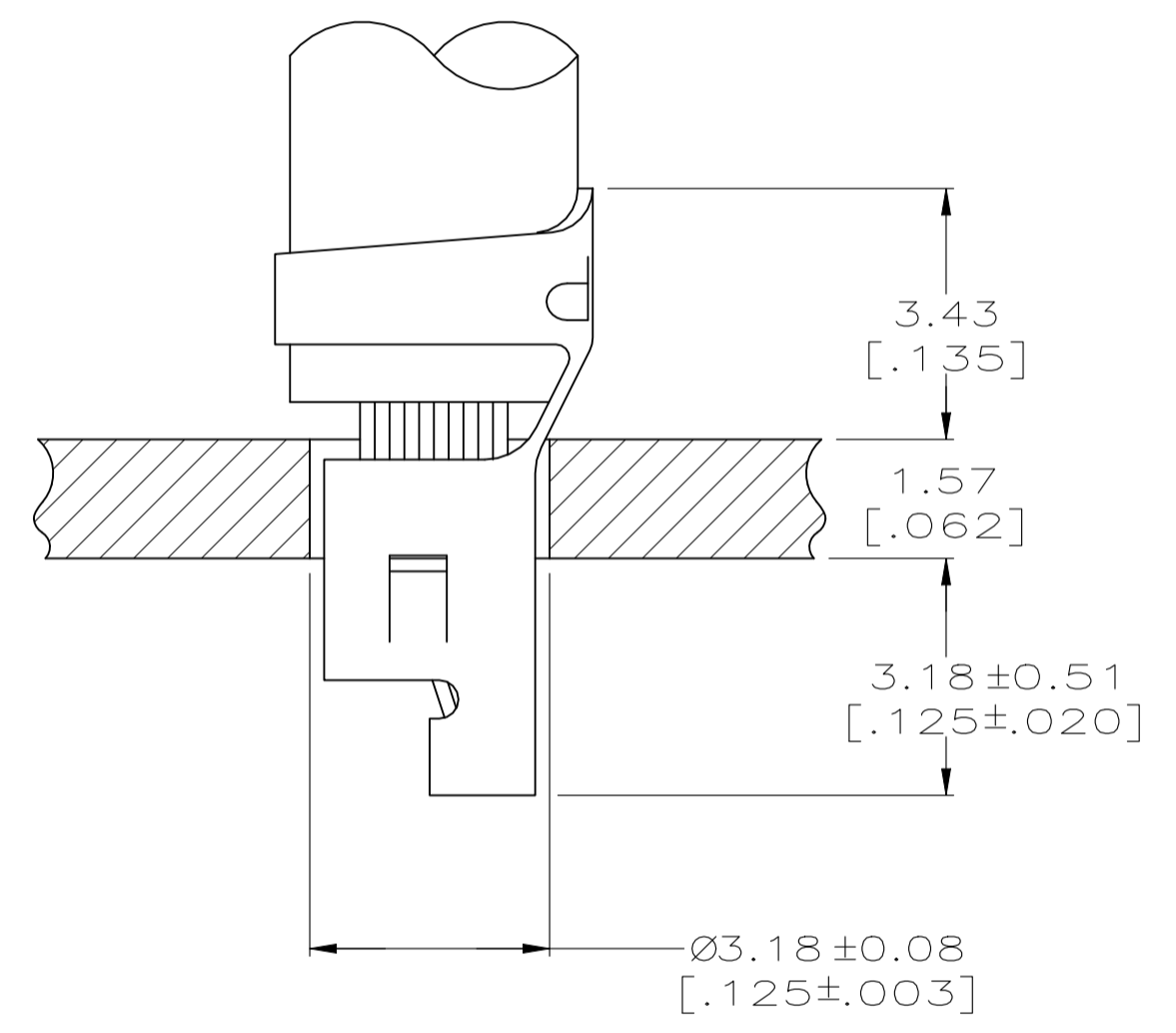
SECTION D-D



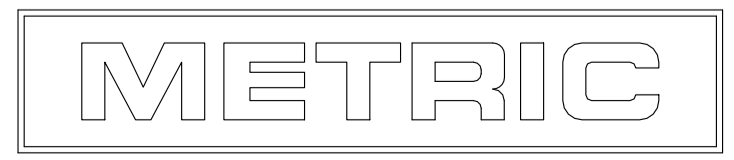
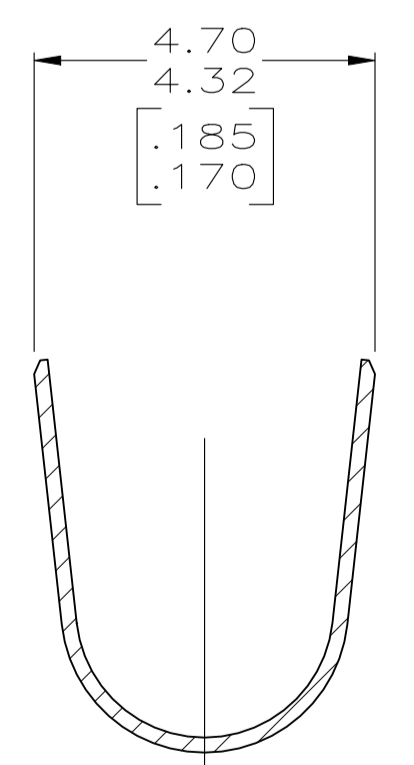
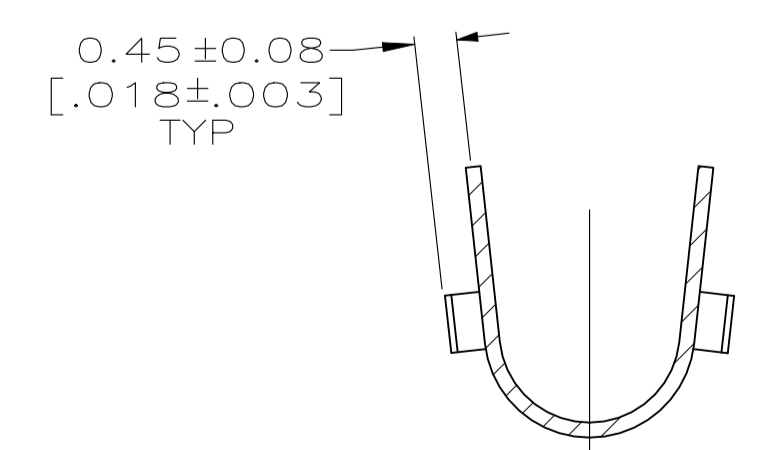
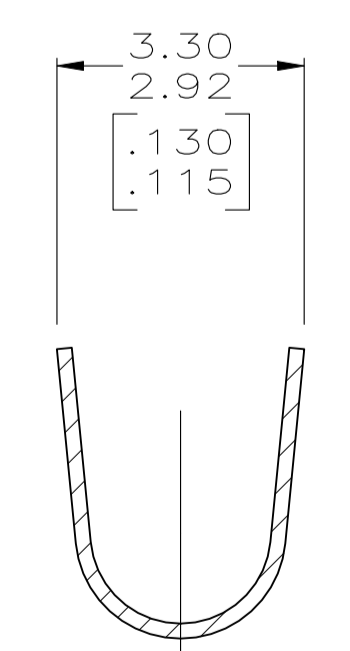
SECTION A-A



SECTION B-B



SECTION C-C



6	3-770060-1
2	-770060-1
FINISH	PART NO.

SUPERSEDED BY  
3-770060-1

THIS DRAWING IS A CONTROLLED DOCUMENT.		DIN S. CARPENTER 22AUG2003		TE Connectivity	
DIMENSIONS: INCHES		CHK: J. ELLIS 22AUG2003		NAME: TERMINAL, AMP-IN	
TOLERANCES UNLESS OTHERWISE SPECIFIED:		APVD: J. ELLIS 22AUG2003		PRODUCT SPEC: 108-1081	
0. PLC ±		APPLICATION SPEC: 114-1016		SIZE: A1	
1. PLC ±		MATERIAL: 0.198 [.0078] PH BRZ		CAGE CODE: 00779	
2. PLC ± 0.13 [.005]		FINISH:		DRAWING NO: 770060	
3. PLC ±		WEIGHT: 0		RESTRICTED TO: -	
4. PLC ±		CUSTOMER DRAWING		SCALE: 10:1	
ANGLES ±		SHEET: 1 of 1		REV: R1	