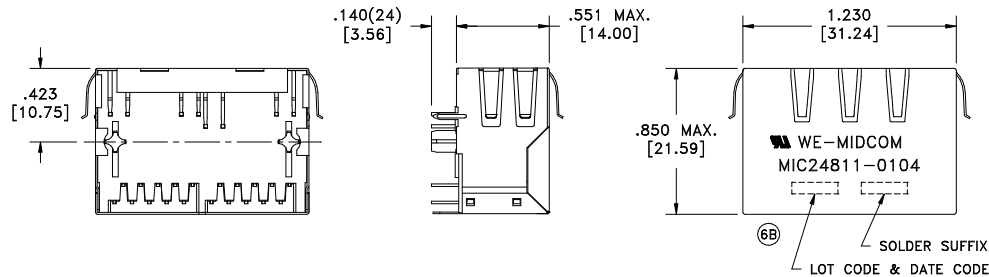
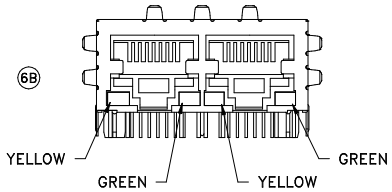


SOLDER SUFFIX	CUSTOMER TERMINAL	RoHS	LEAD(Pb)-FREE
LF3	Sn100%	Yes	Yes



ELECTRICAL SPECIFICATIONS @ 25°C unless otherwise noted:

INDUCTANCE: 350uH min., 100kHz, 100mV, 8mADC, J1-J2; J3-J6, Lp.

DIELECTRIC RATING: 1500Vrms for 1 minute between P1-J1(tie P1+P3).

TURNS RATIO/POLARITY: (P1-P2):(J1-J2) = 1:1, ±2%.
(P3-P6):(J3-J6) = 1:1, ±2%.

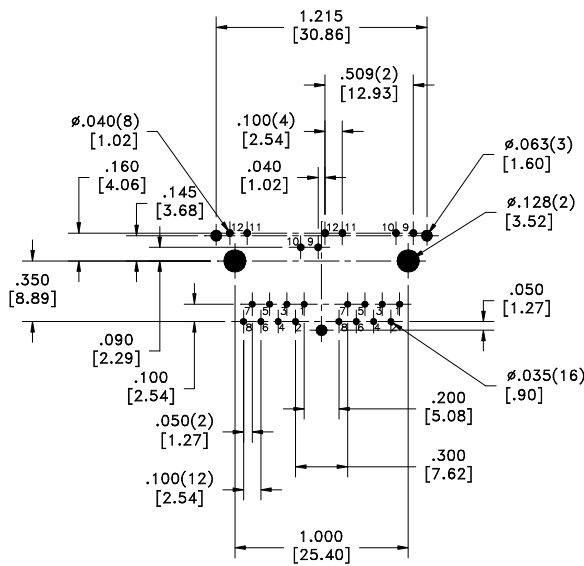
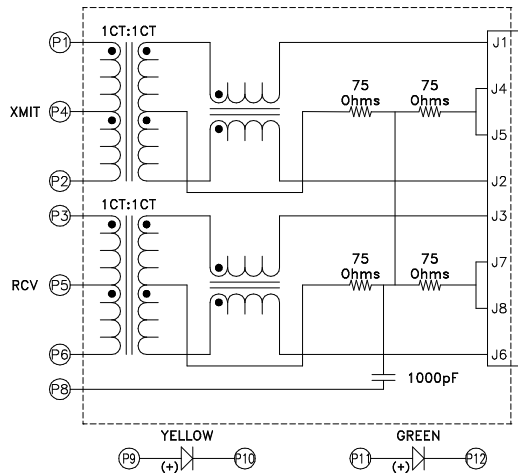
INSERTION LOSS: -1.0dB max., 1MHz - 100MHz.

RETURN LOSS: -18dB min., 1M - 30MHz.
-16dB min., 30M - 45MHz.
-14dB min., 45M - 60MHz.
-12dB min., 60M - 80MHz.

CROSSTALK: -35dB min., 1MHz - 100MHz.

COMMON MODE REJECTION: -35dB min., 1MHz - 100MHz.

OPERATING TEMPERATURE RANGE: 0°C to +70°C.



RECOMMENDED P.C. PATTERN, COMPONENT SIDE

REV.	DATE
6B	10/08
6A	5/06

Packaging Specifications
Method: Tray
PKG-0588
www.midcom-inc.com

Unless otherwise specified:
Tolerances: Fractions: ±1/64
Angles: ±1° Decimals: ±0.10 [.25]
This drawing is dual dimensioned. Dimensions in brackets are in millimeters.

DRAWING TITLE
TRANSFORMER
10/100 Base-T
eiSos p/n: 7499021121



REVISIONS: SEE SHEET 1

DRAWING NO.
MIC24811-0104W-LF3

SCALE ---

(6B)

AGENCY NUMBER	
UL60950-1	E205930

SHEET 2 OF 6