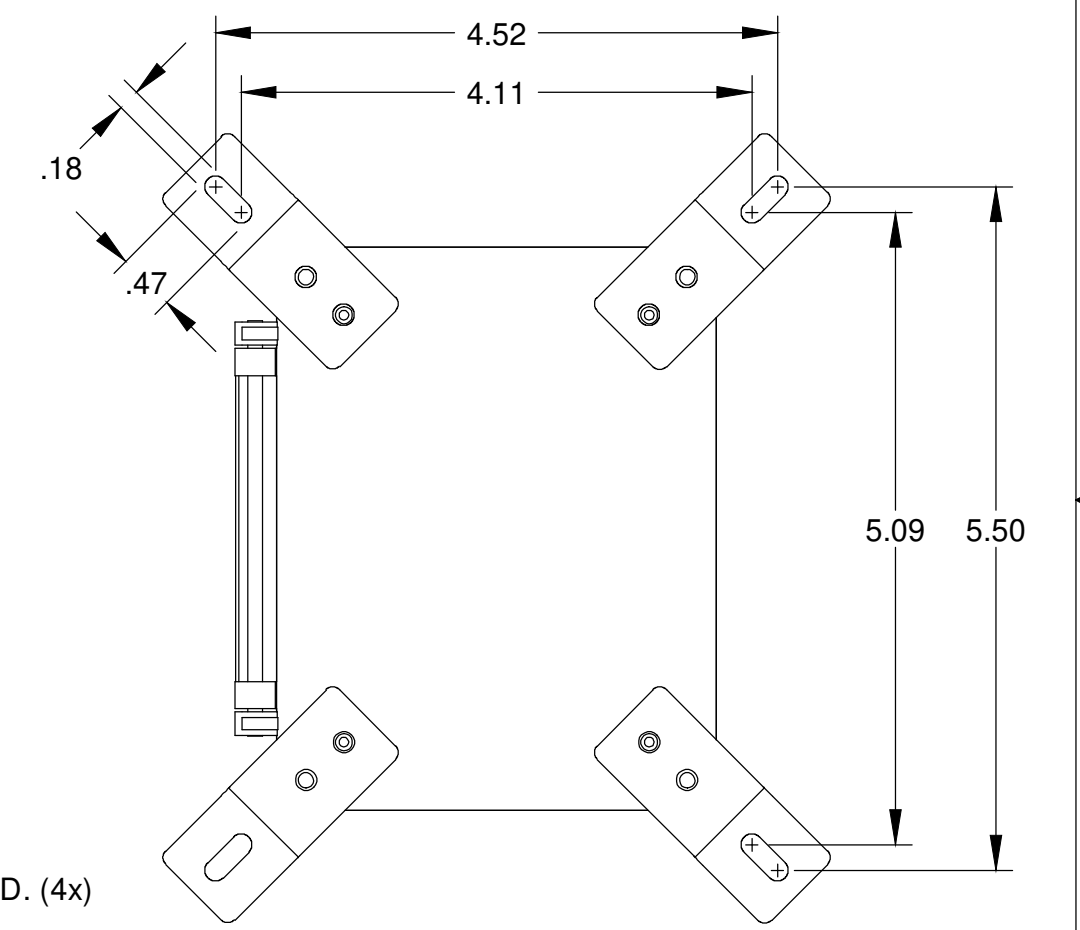
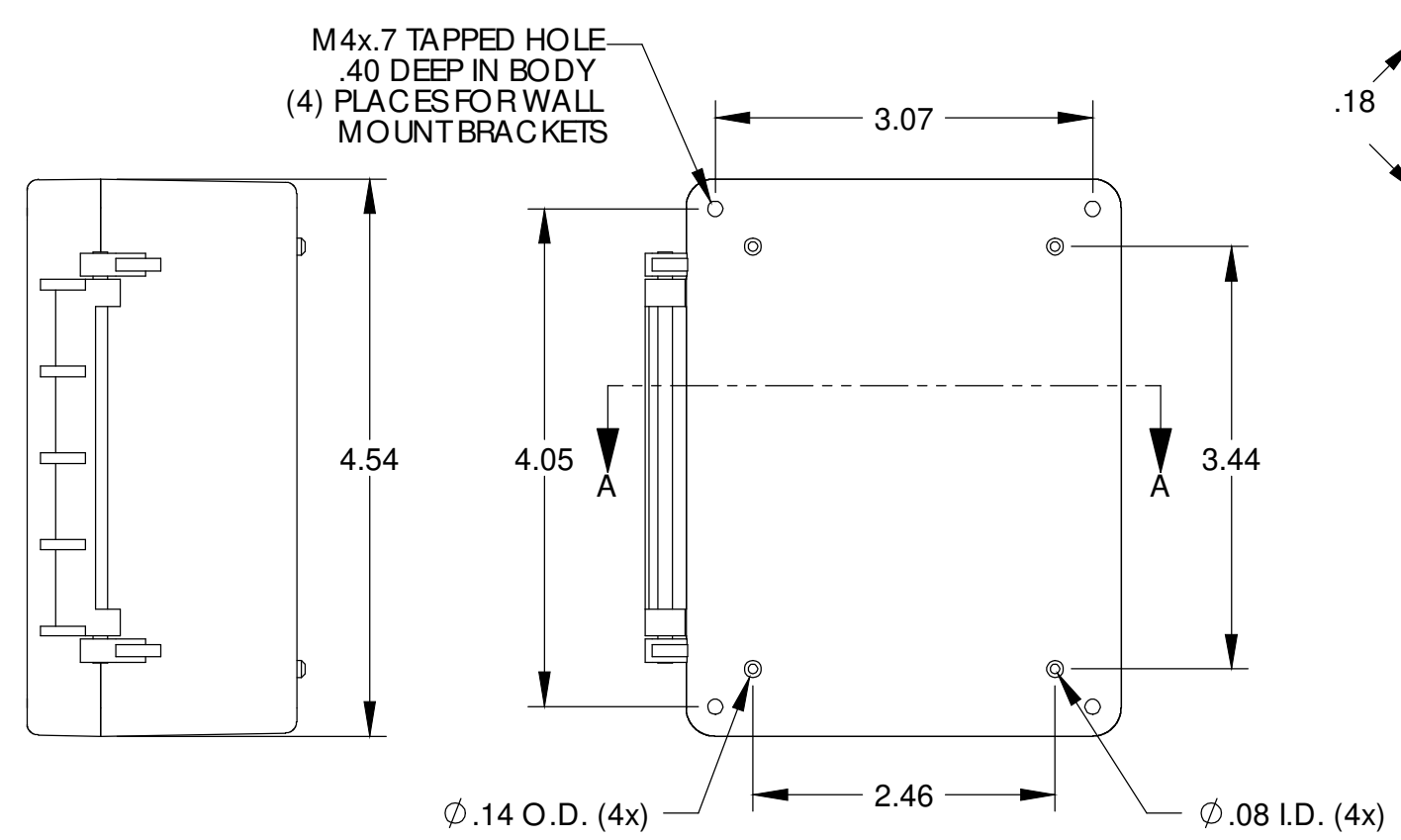
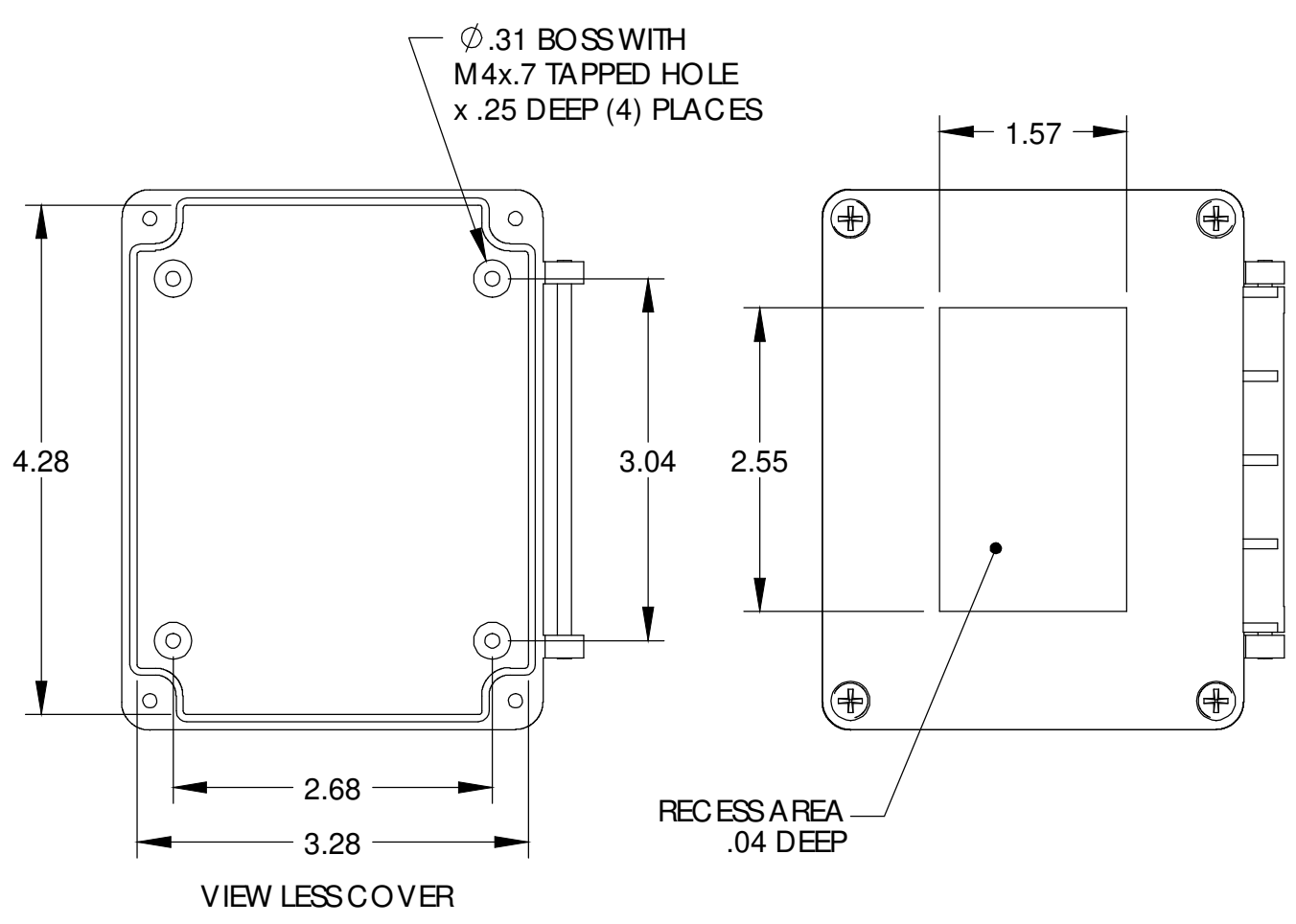
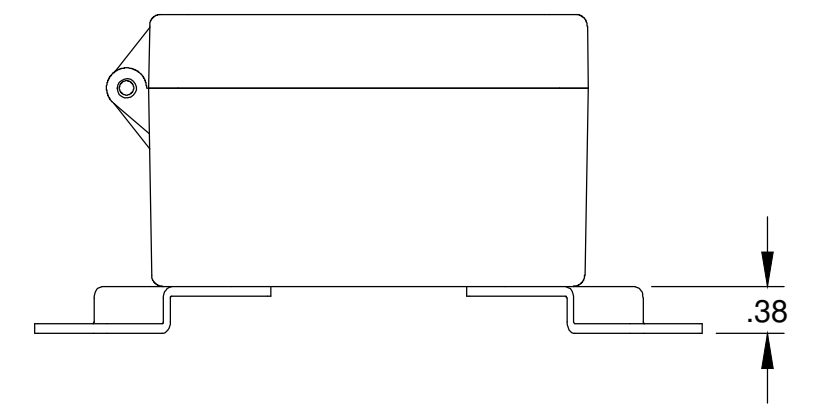
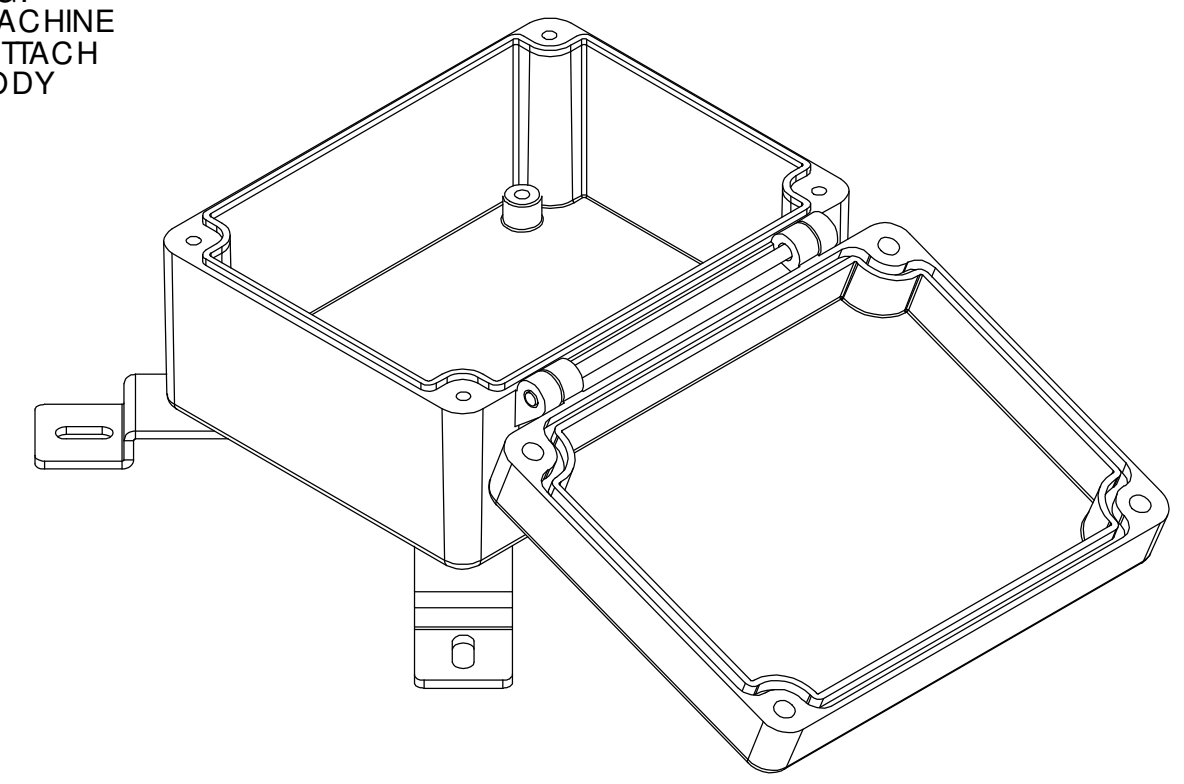
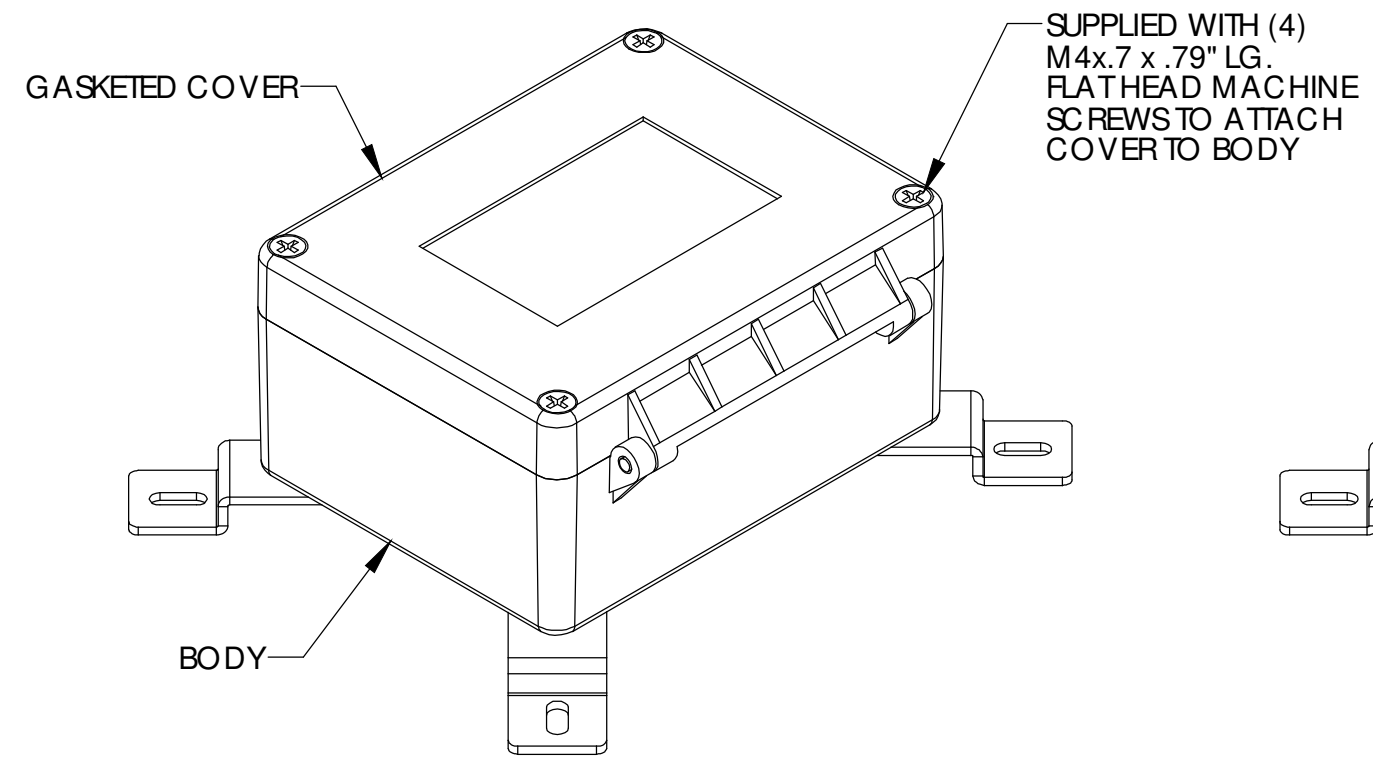
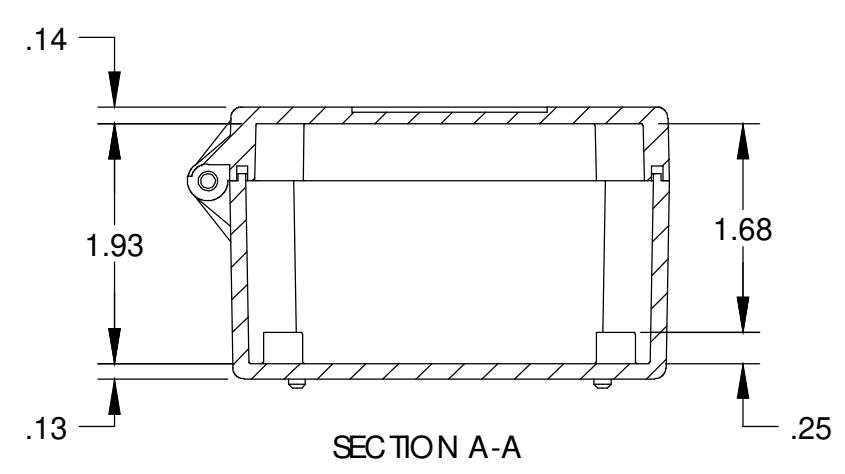
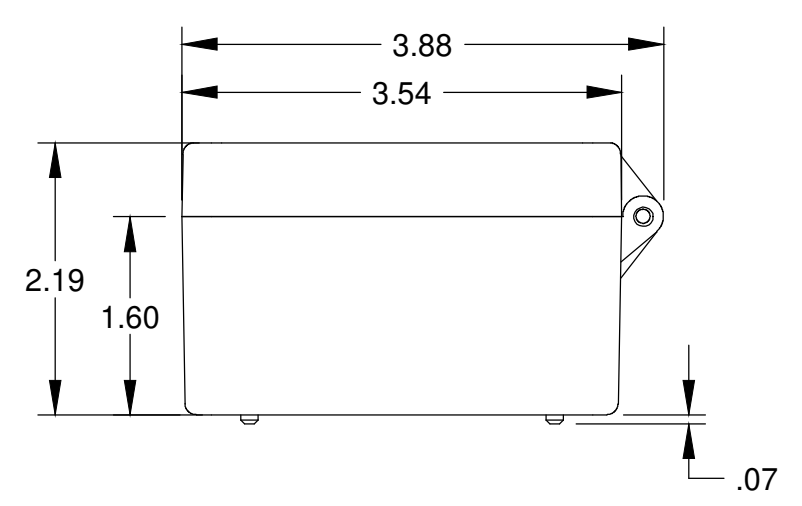


THE INFORMATION CONTAINED IN THIS DRAWING IS THE SOLE PROPERTY OF BUD INDUSTRIES INC. ANY REPRODUCTION IN PART OR WHOLE WITHOUT THE WRITTEN PERMISSION OF BUD INDUSTRIES INC. IS PROHIBITED.

DWG. NO.	AN-2901
ISSUE	REVISIONS
(A)	UPDATED DRAWING 8-8-08 DAB



REFERENCE SHOWN WITH MOUNTING BRACKETS
ASSEMBLED (SHIPPED UNASSEMBLED AND
SUPPLIED WITH M4x.7 x .33" LG. PAN HD. SCREWS)



MATERIAL: ALUMINUM ADC-12
FINISH: SMOOTH BLACK POWDERCOAT

PARTS LIST		BUD INDUSTRIES INC.	
+/- .005 BETWEEN HOLE CENTERS +/- .015 FROM SHEARED EDGE +/- .032 FROM A BENT SURFACE +/- .062 BETWEEN ASSEMBLED SURFACES UNLESS OTHERWISE SPECIFIED MATERIAL: AS NOTED FINISH: AS NOTED		CAD GENERATED DRAWING. DO NOT MANUALLY UPDATE. APPROVALS: DRAWN: DP, CHECKED: 5/31/05, APPROVED:	
QTY. USED ON DO NOT SCALE DRAWING		NEMA HINGED BOX DWG. NO. AN-2901 SCALE: CAD FILE: SHEET 1 OF 1	