

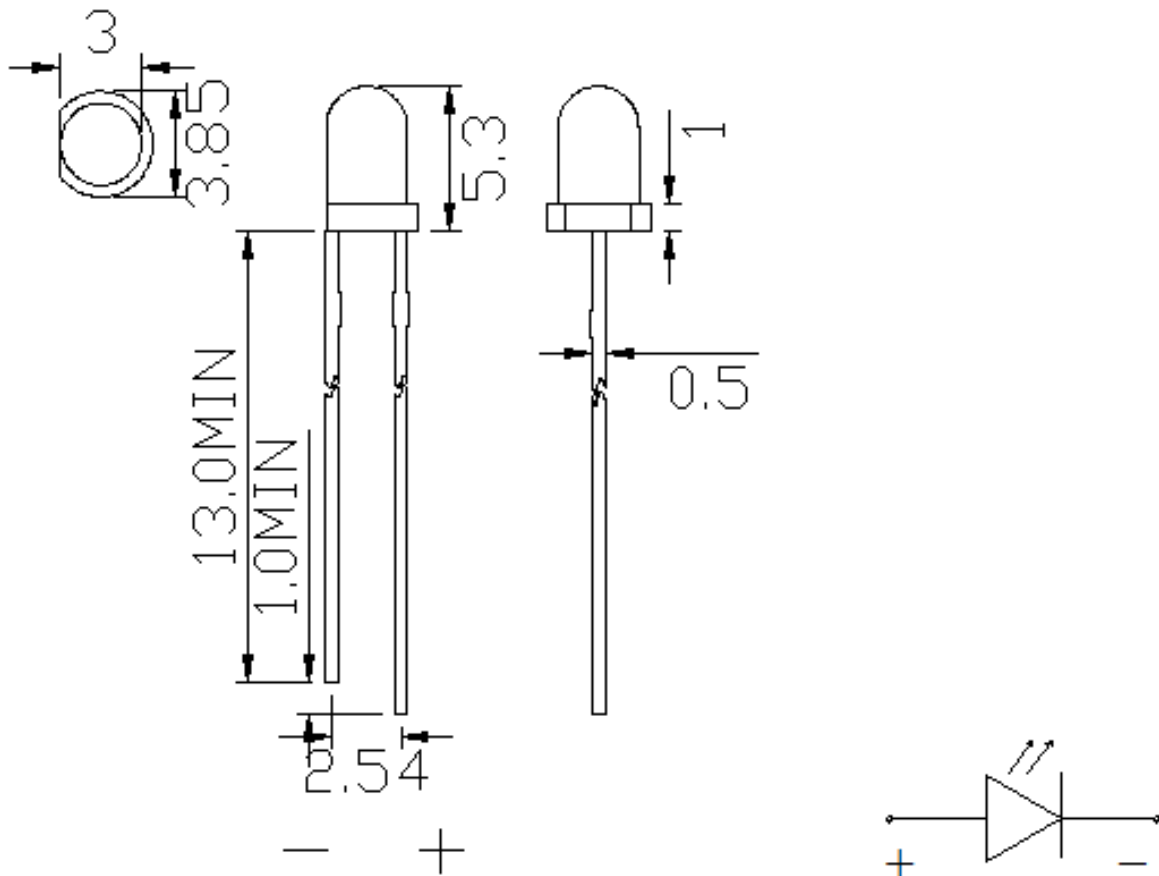


# American Opto Plus LED Corp.

## L314KH-NBW-50D

3mm Blue LED Lamp

### PACKAGE DIMENSION



Item	Materials
Dice	AlInGaP
Lens	White Diffused
Emitted Color	Blue

#### Notes

1. All dimensions are in millimeters
2. Tolerance are  $\pm 0.15$  mm unless otherwise noted.



# American Opto Plus LED Corp.

## L314KH-NBW-50D

3mm Blue LED Lamp

### ABSOLUTE MAXIMUM RATINGS

(Ta=25°C)

	Symbol	Absolute Maximum Rating	Unit
Reverse Voltage	$V_R$	5	V
Power Dissipation	$P_d$	60	mW
Operating temperature	$T_{opr}$	-25~+85	°C
Storage Humidity	$\phi$	45%~85%	°F
Storage temperature	$T_{stg}$	-30~+85	°C
Solder Temperature	$T_{sld}$	260 for 5 sec.	°C
Peak Pulsed Forward Current (1/10Duty Cycle 0.1ms Pulse)	$I_{FP}$	60	mA
DC Forward Current	$I_F$	20	mA

### OPTICAL-ELECTRICAL CHARACTERISTICS

(Ta=25°C)

	Symbol	Test condition	Min.	Typ.	Max.	Unit
Luminous Intensity	$I_v$	$I_F=20mA$	500	--	1500	mcd
Peak Wavelength	$\lambda_p$		--	--	--	Nm
Dominant Wavelength	$\lambda_d$		460	--	475	Nm
Viewing Angle	2 $\theta$ 1/2		--	50	--	deg
Forward Voltage	$V_F$		2.8	--	3.4	V
Suggestion Forward Current	$I_F$		3	5 ~ 10	20	mA
Reverse Current	$I_R$	$V_R=5V$	--	--	10	$\mu A$

Note: When using LED, It's circuit adopts current limiting, With DC current about 5 ~ 10mA, not more than 15mA at maximum.



# American Opto Plus LED Corp.

## L314KH-NBW-50D

3mm Blue LED Lamp

### TYPICAL ELECTRICAL-OPTICAL CHARACTERISTIC CURVES

