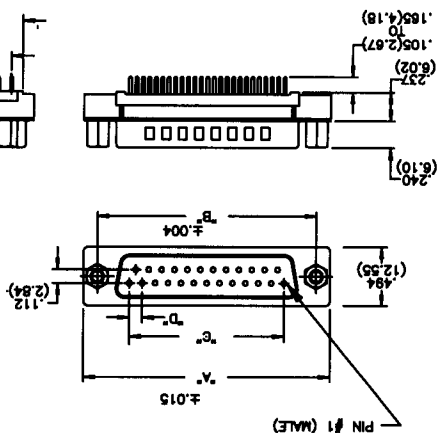
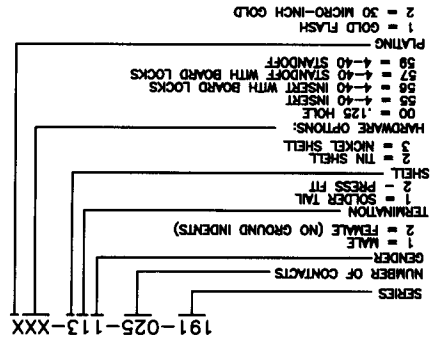


DESCRIPTION: VERTICAL MOUNT MALE LOW PROFILE/PLASTIC BACK

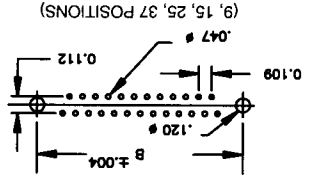


NorComp

THESE DRAWINGS AND SPECIFICATIONS ARE THE PROPERTY OF NORCOMP AND SHALL NOT BE REPRODUCED OR USED AS THE BASIS FOR THE MANUFACTURE OF APPARATUS WITHOUT WRITTEN PERMISSION.

NUMBER OF CONTACTS	"A" inch (mm)	"B" inch (mm)	"C" inch (mm)	"D" inch (mm)
9	1.214 (30.84)	.984 (24.99)	.432 (10.87)	.109 (2.76)
15	1.545 (39.24)	.756 (19.20)	.756 (19.20)	.109 (2.76)
25	2.088 (53.04)	1.892 (47.04)	1.304 (33.12)	.109 (2.76)
37	2.730 (69.34)	2.500 (63.50)	1.856 (46.98)	.109 (2.76)

DATE: 8-22-01
DRAWN: PMA JEMONS
CHECKED:
SCALE: 1 OF 1 SHEET
REV: 3
DWG NO.: 191-00X-113-00X



MATERIALS:
INSULATOR: THERMOPLASTIC POLYESTER, UL94V-0
CHEMICAL RESISTANCE, COLOR BLACK
SHELL: STEEL, NICKEL OR TIN PLATED
CONTACT: MALE-BRASS; FEMALE-PHOSPHOR BRONZE
GOLD FLASH OR 30 MICRO-INCH IN MATING AREA
TIN-LEAD PLATING ON TAIL ENDS

ELECTRICAL:
CURRENT RATING: 5 AMPERES
DIELECTRIC WITHSTANDING VOLTAGE: 1000VAC rms AT SEA LEVEL
INSULATION RESISTANCE: 5000 MEGOHMS MIN.
CONTACT RESISTANCE: 10 MILLIOHMS MAX.
WORKING TEMPERATURE: -55 TO +125° C