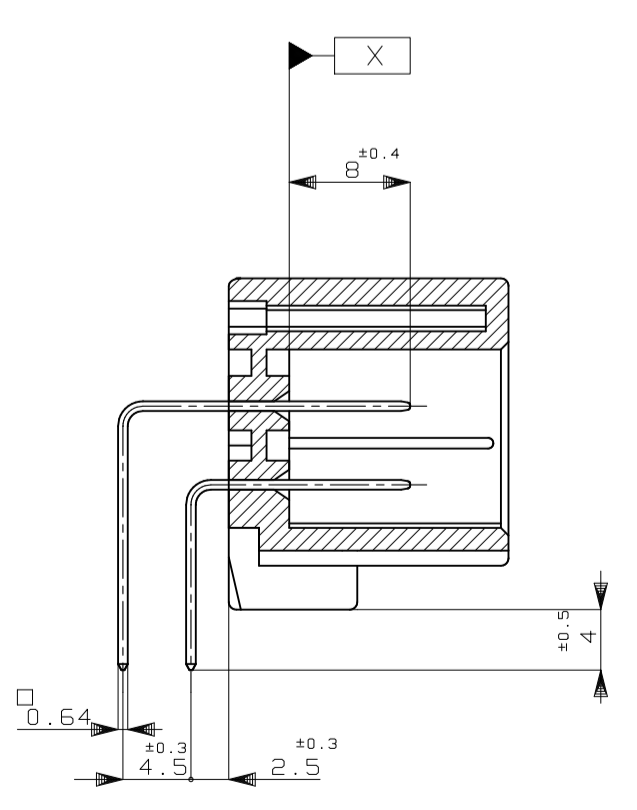
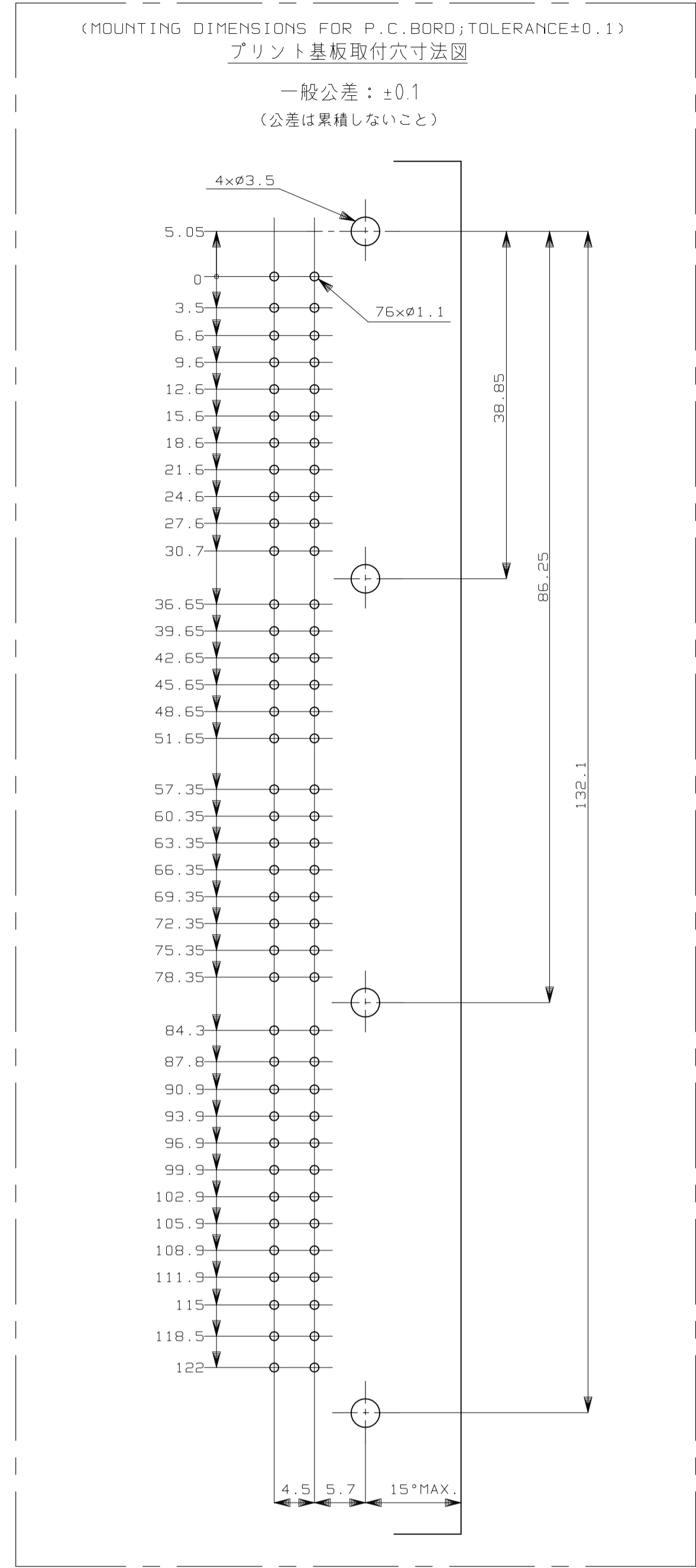
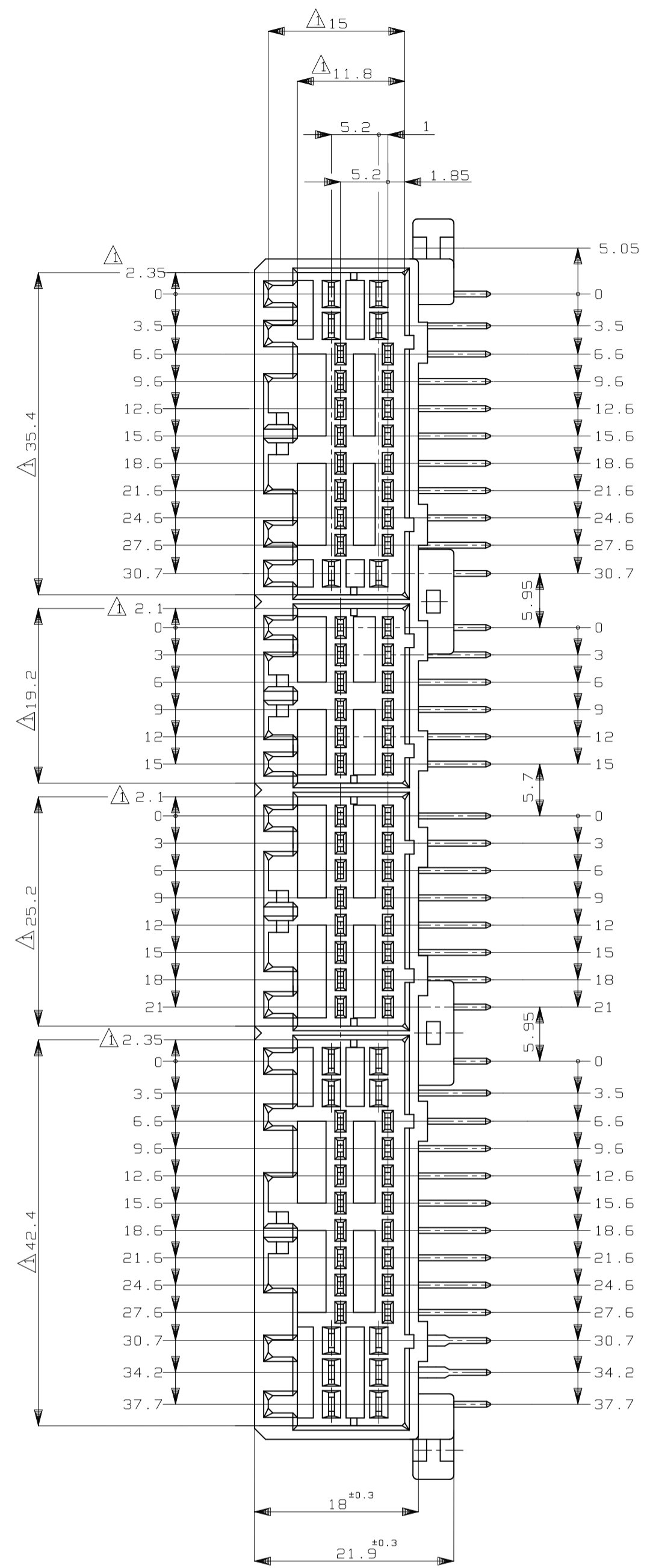
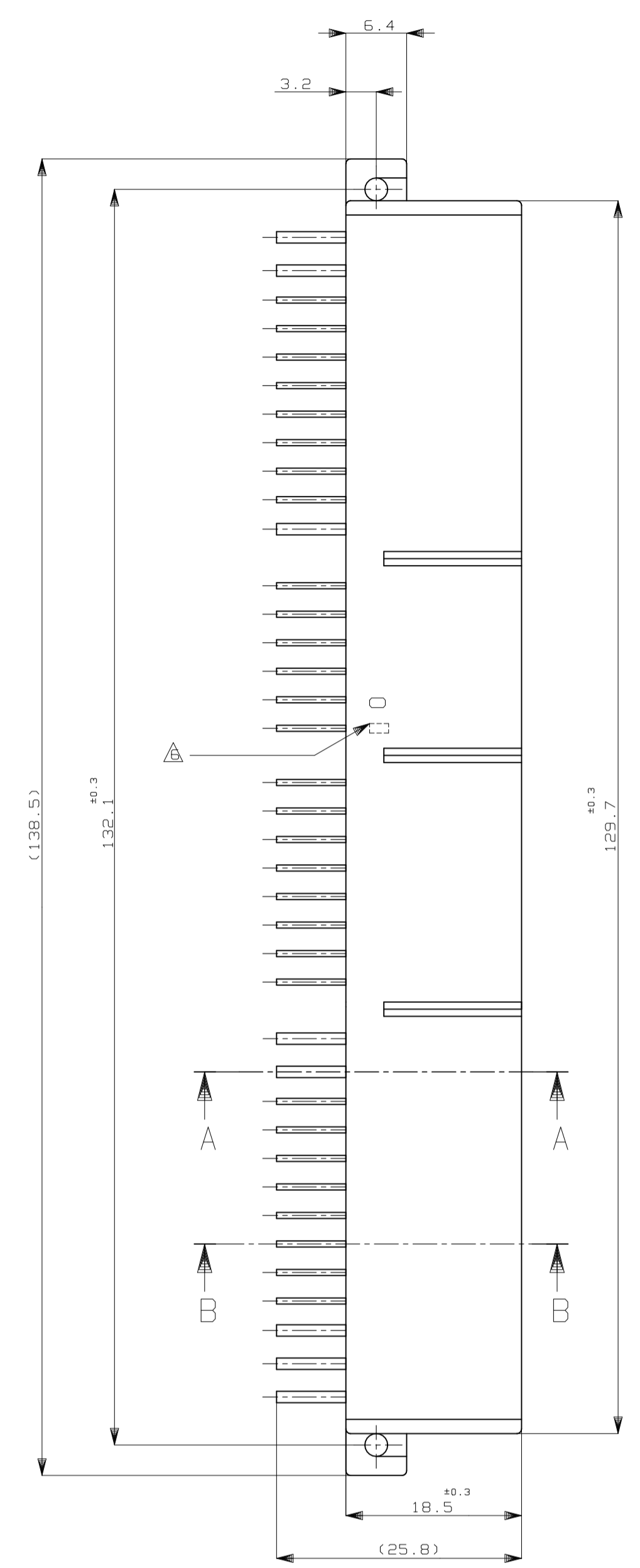
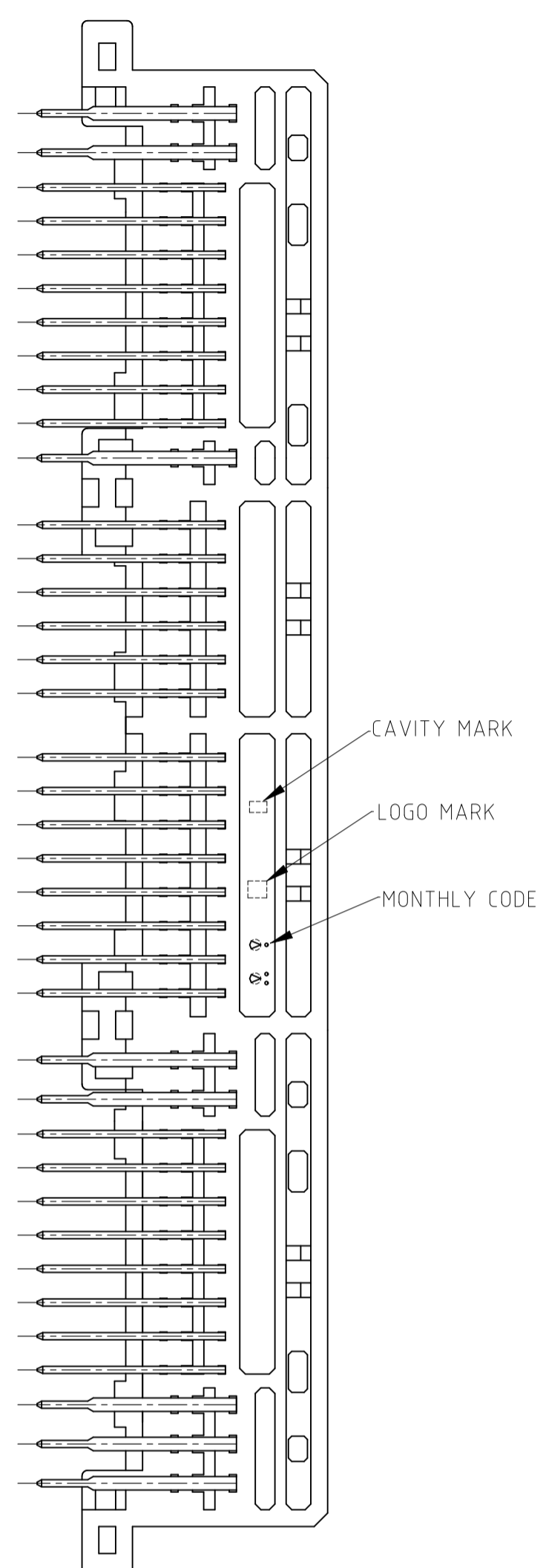
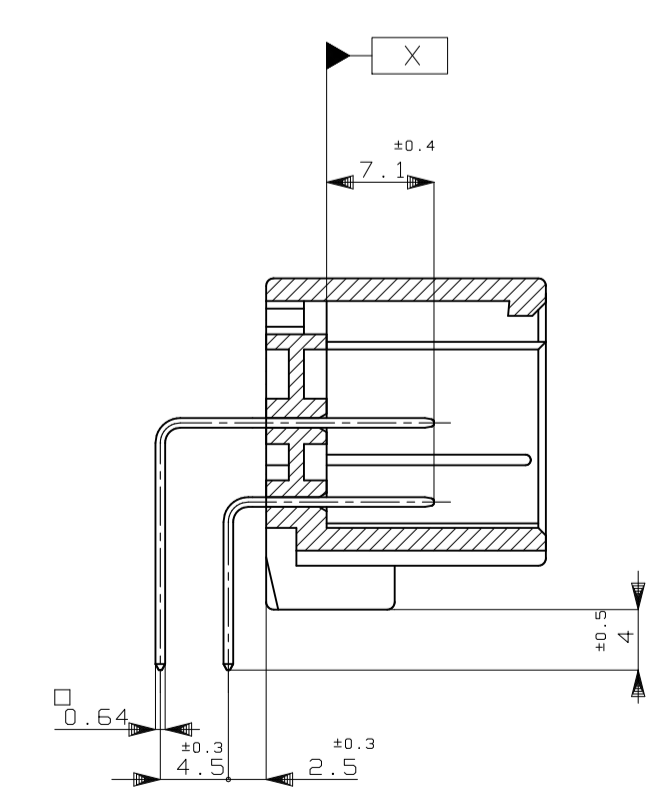


REVISIONS					
REV	DATE	DESCRIPTION	BY	CHK	APP
H6	05SEP2016	REVISD ECR-16-003276	KF	HY	
H7	24NOV2022	REVISD PER ECR-22-154022	RK	MT	



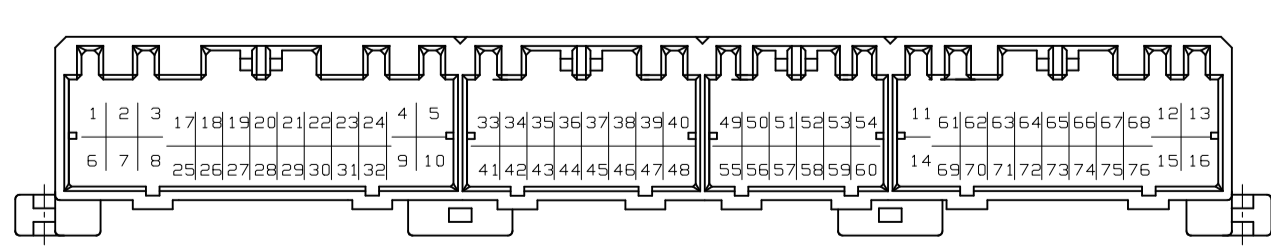
A-A



B-B

- △ MUST BE KEPT BETWEEN [X] AND 2
- 2. THE MATING PLUG HSG. PART NUMBER:
174516, 174515, 174514, 174913, 917992, 917989, 917981, 917975
- 3. RECOMMENDED MOUNTING SCREW; 3mm DIA, 6mm LENGTH (MAX.)
PAN HEAD, CLASS 2 TAPPING SCREW SPECIFIED IN JIS B1115, B1122
(TIGHTENING TORQUE: 4kg-cm MAX.)
- 4. APPLICABLE PRODUCT SPEC NO.; 108-5280, 108-5342
- △ CIRCUIT NUMBER
POWER CIRCUIT NO. ①~⑬
SIGNAL CIRCUIT NO. ⑭~⑲
- △ INDICATED PREFIX AND ID MARK OF PRODUCT P/N BY COLOR HOT MARK
(APPLICABLE 0-174915-6 [0], 2-174915-7 [2])
(3-174915-6 [3], 4-174915-1 [4], 5-174915-7 [5])

- △ [X] 面から 2mm の範囲で測定
- 2. 嵌合相手ハウジング型番 174516, 174515, 174514, 174913, 917992, 917989, 917981, 917975
- 3. 推奨取付ねじ: JIS B1115, B1122 タップピンねじ, なべ2種
呼び径 3, 長さ 6mm 以下 (締付けトルク: 4kg-cm 以下)
- 4. 適用製品規格番号: 108-5280, 108-5342
- △ 回路番号:
パワー回路 ①~⑬
シグナル回路 ⑭~⑲
- △ 適用製品型番のアフィックス及びIDマークを
カラーホットマークにて表示
(適用製品型番 0-174915-6 [0], 2-174915-7 [2])
(3-174915-6 [3], 4-174915-1 [4], 5-174915-7 [5])



REV	DATE	DESCRIPTION	BY	CHK	APP
54		SELECTIVE-TIN (MATTE) SELECTIVE GOLD x 9			
55		SELECTIVE-TIN (MATTE) SELECTIVE GOLD x 3			
56		SELECTIVE-TIN (MATTE) SELECTIVE GOLD x 14			
52		SELECTIVE-TIN (MATTE) SELECTIVE GOLD x 22			
55		SELECTIVE-TIN (MATTE) SELECTIVE GOLD x 60			
5		TIN-LEAD SELECTIVE GOLD x 16			
4		TIN-LEAD SELECTIVE GOLD x 9			
2		TIN-LEAD SELECTIVE GOLD x 22			
0		PRE-TINNED x 76			

THIS DRAWING IS A CONTROLLED DOCUMENT.

TE Connectivity

76POSITION CAP HOUSING ASSY
040/070 SERIES HYBRID I/O CONNECTOR

WEIGHT: 37 g

SCALE: 2:1

SHEET 1 of 1

REV H7