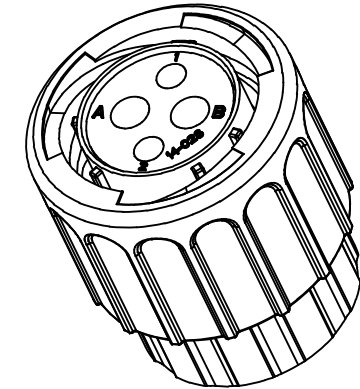
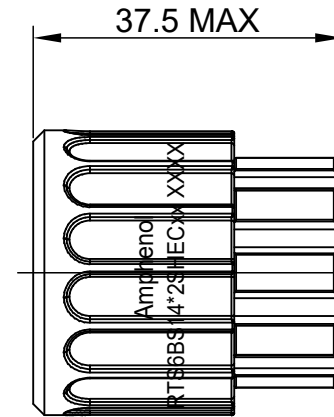
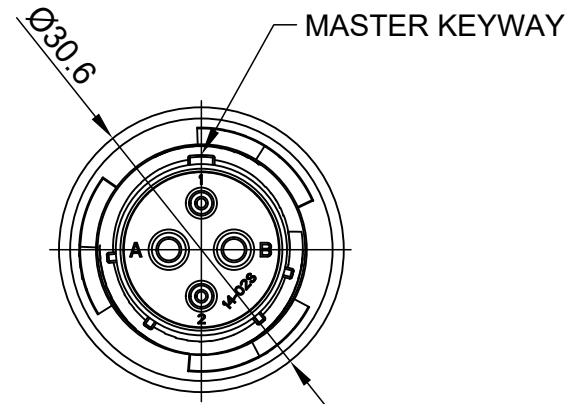


| REVISIONS | | | | | |
|-----------|-----|------------------|-------------|-------|-------|
| REV | ECO | DESCRIPTION | DATE | BY | APPR |
| A1 | -- | RELEASED DRAWING | JUN-14-16 | JARRY | TOMMY |
| A2 | -- | UPDATE NOTES | Jun-22-2017 | Nick | TOMMY |
| A3 | -- | UPDATE DRAWING | Mar-20-2018 | White | Tommy |



NOTES : (UNLESS OTHERWISE SPECIFIED)

1. MATERIAL :

- SHELL : THERMOPLASTIC , UL94 V-0.
- INSERT : THERMOPLASTIC , UL94 V-0.
- COUPLING NUT : THERMOPLASTIC , UL94 V-0.
- O-RING : NBR OR SILICONE RUBBER.
- WASHER : SILICONE RUBBER.
- END CAP : THERMOPLASTIC , UL94 V-0.
- PLASTIC RING : THERMOPLASTIC , UL94 V-0.
- WIRE SEAL: SILICONE RUBBER.

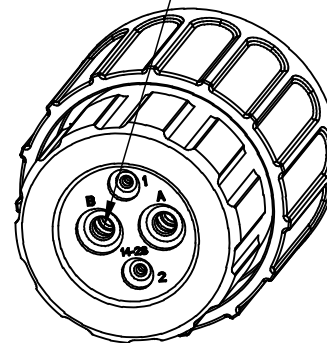
2. SPECIFICATIONS :

- 2.1 RATED CURRENT : 2.5MM CONTACT @ 23A (MAX).
16# CONTACT @ 13A (MAX).
- 2.2 RATED VOLTAGE : 500V(AC/DC).
- 2.3 OPERATING TEMPERATURE : SEE TABLE.
- 2.4 DIELECTRIC WITHSTANDING VOLTAGE : LESS THAN
2 MILLIAMPS CURRENT LEAKAGE@2000 VOLTS AC.
- 2.5 INSULATION RESISTANCE : 5000 MEGOHMS MIN.
- 2.6 IP CLASS : IP67 AND IP69K IN THE MATED CONDITION,
WIRE SEALS FULLY POPULATED.
- 2.7 MATING CYCLES DURABILITY : 500 CYCLES MIN.
- 2.8 RoHS COMPLIANT.

3. SUITABLE CONTACTS : 2.5MM CONTACT
16# CONTACT.

4. ALL DIMENSIONS ARE FOR REFERENCE USE ONLY.

SEALING PLUGS CAN BE
PURCHASED SEPARATELY



5. CONTACT SIZE AND REAR SEAL WIRE RANGE :

| CONTACT SIZE | MIN. INSUL O.D. | MAX. INSUL O.D. | WIRE RANGE |
|--------------|-----------------|-----------------|------------|
| 16# | Ø2.0MM | Ø3.2MM | 14 - 24AWG |
| 2.5MM | Ø3.3MM | Ø4.3MM | 12 - 14AWG |

| KEY | PART NUMBER | |
|-----|----------------|------------------|
| | -40°C ~ 105°C | -40°C ~ 125°C |
| N | RTS6BS14N2SHEC | RTS6BS14N2SHEC03 |

| QUANTITY | PART NUMBER | DESCRIPTION | ITEM |
|--------------------------------------|-------------|--|------|
| MATERIALS LIST | | | |
| UNLESS OTHERWISE SPECIFIED | | SIGNATURES | |
| 1) All dimensions are in metric(mm). | | DATE | |
| 2) Tolerances are as follows: | | DRAWN: White Mar-20-2018 | |
| 1 PL DEC ±0.30 | | CHECKED: Tod Mar-20-2018 | |
| 2 PL DEC ±0.15 | | ENGINEER: | |
| 3 PL DEC ±0.08 | | APPROVAL: Tommy Mar-20-2018 | |
| 3) Note reference = | | CUSTOMER: | |
| MATERIAL SPECIFICATIONS: | | THIS DRAWING IS SUPPLIED FOR INFORMATION ONLY. DESIGN FEATURES, SPECIFICATIONS AND PERFORMANCE DATA SHOWN HEREON ARE THE PROPERTY OF THE AMPHENOL CORPORATION. NO RIGHTS OF REPRODUCTION ARE IMPLIED. ALL DIMENSIONS ARE SUBJECT TO NORMAL MANUFACTURING VARIATIONS. | |
| PROCESS SPECIFICATIONS: | | SIZE TYPE DWG NO: REVISION | |
| NEXT ASSY: | | B C- RTS6BS14*2SHECxx A3 | |
| | | SCALE: NONE SHEET 1 OF 1 | |

Amphenol
Sine Systems - www.amphenol-sine.com
44724 Morley Drive
Clinton Township, MI 48036

ECO-MATE, PLUG, END CAP,
SIZE 14,2+2POS, SOCKET

TITLE: ECO-MATE, PLUG, END CAP, SIZE 14,2+2POS, SOCKET
DWG NO: RTS6BS14*2SHECxx
REV: A3
SH: 1
OF: 1

ecomate® RM/RSSM/Aquarius™ - Contact Size 16 Options

| Crimp Contacts, Machined | | | | |
|--------------------------|------------|-------|-------------------------------|------------|
| Part Number | | AWG | Wire Range (mm ²) | Plating |
| Male | Female | | | |
| MP14M23F | MS14M23F | 14 | 2.0-2.5 | Gold Flash |
| MP14M23G5 | MS14M23G5 | 14 | 2.0-2.5 | Gold 5μ" |
| MP14M23G10 | MS14M23G10 | 14 | 2.0-2.5 | Gold 10μ" |
| MP14M23G15 | MS14M23G15 | 14 | 2.0-2.5 | Gold 15μ" |
| MP14M23G30 | MS14M23G30 | 14 | 2.0-2.5 | Gold 30μ" |
| MP16M23F | MS16M23F | 18-16 | 0.75-1.5 | Gold Flash |
| MP16M23G5 | MS16M23G5 | 18-16 | 0.75-1.5 | Gold 5μ" |
| MP16M23G10 | MS16M23G10 | 18-16 | 0.75-1.5 | Gold 10μ" |
| MP16M23G15 | MS16M23G15 | 18-16 | 0.75-1.5 | Gold 15μ" |
| MP16M23G30 | MS16M23G30 | 18-16 | 0.75-1.5 | Gold 30μ" |
| MP20M23F | MS20M23F | 22-20 | 0.34-0.50 | Gold Flash |
| MP20M23G5 | MS20M23G5 | 22-20 | 0.34-0.50 | Gold 5μ" |
| MP20M23G10 | MS20M23G10 | 22-20 | 0.34-0.50 | Gold 10μ" |
| MP20M23G15 | MS20M23G15 | 22-20 | 0.34-0.50 | Gold 15μ" |
| MP20M23G30 | MS20M23G30 | 22-20 | 0.34-0.50 | Gold 30μ" |
| MP24M23F | MS24M23F | 26-24 | 0.14-0.25 | Gold Flash |
| MP24M23G5 | MS24M23G5 | 26-24 | 0.14-0.25 | Gold 5μ" |
| MP24M23G10 | MS24M23G10 | 26-24 | 0.14-0.25 | Gold 10μ" |
| MP24M23G15 | MS24M23G15 | 26-24 | 0.14-0.25 | Gold 15μ" |
| MP24M23G30 | MS24M23G30 | 26-24 | 0.14-.025 | Gold 30μ" |

| Tooling, Machined | |
|-------------------|--|
| Part Number | Description |
| QXRT16 | Contact Extraction Tool, #16 (Ø 1.6) Contact |
| MFY-3959 | Hand Crimp Tool for Machined Contacts |
| MFY-3960 | Pneumatic Crimp Tool for Machined Contact |

| Plating Options, All | |
|----------------------|--|
| Symbol | Plating |
| T | Tin Plated (for Stamped & Formed Contacts) |
| S | Silver Plated 5Um (for Machined Contacts) |
| F | Gold Plated |
| G5 | Gold Plated (Thickness 5μ") |
| G10 | Gold Plated (Thickness 10μ") |
| G15 | Gold Plated (Thickness 15μ") |
| G30 | Gold Plated (Thickness 30μ") |

| Crimp Contacts, Stamped & Formed | | | | |
|----------------------------------|-----------|-------|-------------------------------|------------|
| Part Number | | AWG | Wire Range (mm ²) | Plating |
| Male | Female | | | |
| SP14M2F | SS14M2F | 14 | 2.0-2.5 | Gold Flash |
| SP14M2G5 | SS14M2G5 | 14 | 2.0-2.5 | Gold 5μ" |
| SP14M2G10 | SS14M2G10 | 14 | 2.0-2.5 | Gold 10μ" |
| SP14M2G15 | SS14M2G15 | 14 | 2.0-2.5 | Gold 15μ" |
| SP14M2G30 | SS14M2G30 | 14 | 2.0-2.5 | Gold 30μ" |
| SP16M2F | SS16M2F | 18-16 | 0.75-1.5 | Gold Flash |
| SP16M2G5 | SS16M2G5 | 18-16 | 0.75-1.5 | Gold 5μ" |
| SP16M2G10 | SS16M2G10 | 18-16 | 0.75-1.5 | Gold 10μ" |
| SP16M2G15 | SS16M2G15 | 18-16 | 0.75-1.5 | Gold 15μ" |
| SP16M2G30 | SS16M2G30 | 18-16 | 0.75-1.5 | Gold 30μ" |
| SP20M2F | SS20M2F | 22-20 | 0.34-0.50 | Gold Flash |
| SP20M2G5 | SS20M2G5 | 22-20 | 0.34-0.50 | Gold 5μ" |
| SP20M2G10 | SS20M2G10 | 22-20 | 0.34-0.50 | Gold 10μ" |
| SP20M2G15 | SS20M2G15 | 22-20 | 0.34-0.50 | Gold 15μ" |
| SP20M2G30 | SS20M2G30 | 22-20 | 0.34-0.50 | Gold 30μ" |
| SP24M2F | SS24M2F | 26-24 | 0.14-0.25 | Gold Flash |
| SP24M2G5 | SS24M2G5 | 26-24 | 0.14-0.25 | Gold 5μ" |
| SP24M2G10 | SS24M2G10 | 26-24 | 0.14-0.25 | Gold 10μ" |
| SP24M2G15 | SS24M2G15 | 26-24 | 0.14-0.25 | Gold 15μ" |
| SP24M2G30 | SS24M2G30 | 26-24 | 0.14-0.25 | Gold 30μ" |

| Tooling, Stamped & Formed | |
|---------------------------|--|
| Part Number | Description |
| QXRT16 | Contact Extraction Tool, #16 (Ø 1.6) Contact |
| MFY-3954 | Hand Tool, Stamped & Formed Contact, Size 16, 20-14AWG |
| MFY-3957 | Crimp Die, Stamped & Formed Contact |

| Misc Tooling, All | |
|-------------------|----------------------------|
| Part Number | Description |
| CA-4020-59 | Sealing Plug, Size 16 & 20 |

| Standard Quantity Order Options | |
|---------------------------------|-------------------|
| Machined | Stamped & Formed |
| Bulk Package, 500 Pieces | Reel, 3000 Pieces |

ecomate® RM/RSSM/Aquarius™ - Contact Size 12 Options

| Crimp Contacts, Machined | | | | |
|--------------------------|--------|-----|-------------------------------|---------|
| Part Number | | AWG | Wire Range (mm ²) | Plating |
| Male | Female | | | |
| N/A | | | | |

| Tooling, Machined | |
|-------------------|-------------|
| Part Number | Description |
| N/A | N/A |
| N/A | N/A |

| Plating Options, All | |
|----------------------|---------|
| Symbol | Plating |
| N/A | N/A |

| Crimp Contacts, Stamped & Formed | | | | |
|----------------------------------|---------|-------|-------------------------------|---------|
| Part Number | | AWG | Wire Range (mm ²) | Plating |
| Male | Female | | | |
| SP12A1T | SS12A1T | 14-12 | 2.5-3.5 | Tin |

| Tooling, Stamped & Formed | |
|---------------------------|--|
| Part Number | Description |
| QXRT12S | Contact Extraction Tool, 2.5mm Contact |
| MFx-3962 | Hand Tool, Stamped & Formed Contact, 2.5mm Contact |

| Misc Tooling, All | |
|-------------------|-----------------------|
| Part Number | Description |
| CA-4012-59 | Sealing Plug, Size 12 |

| Standard Quantity Order Options | |
|---------------------------------|-------------------|
| Machined | Stamped & Formed |
| N/A | Reel, 1000 Pieces |