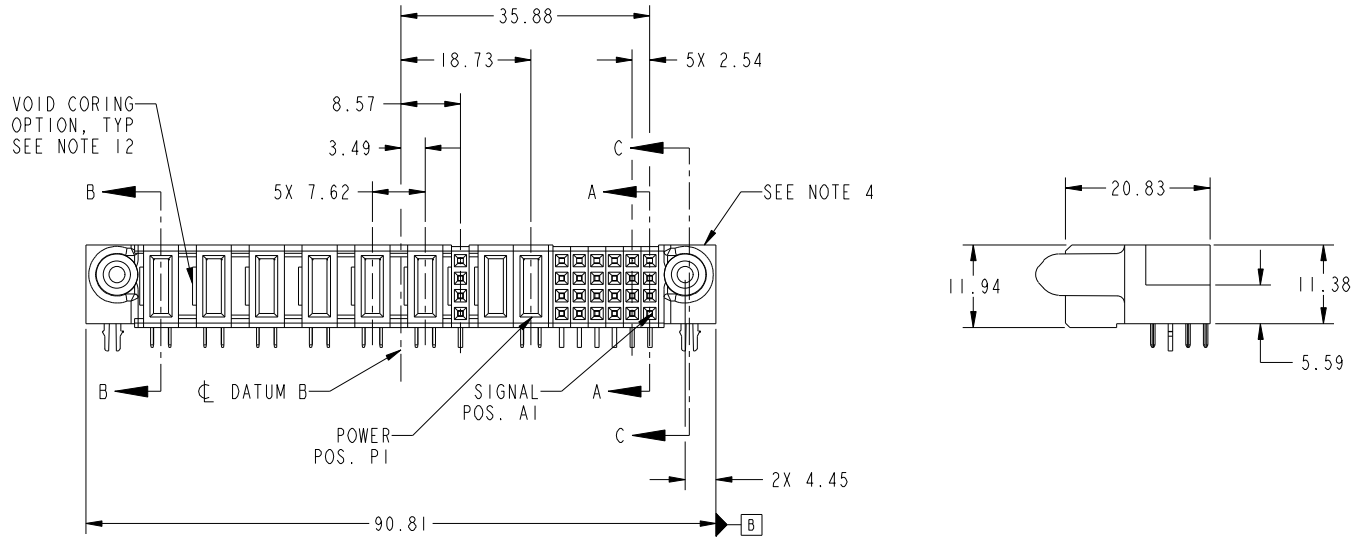
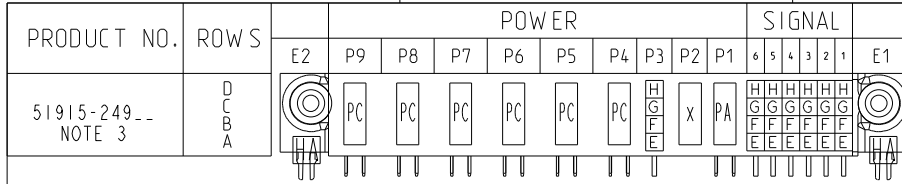


Tous droits strictement réservés. Reproduction ou communication a des tiers interdite sous quelque forme que ce soit sans autorisation écrite du propriétaire. Propriété de c FCI. Droits de reproduction FCI.

All rights strictly reserved. Reproduction or issue to third parties in any form whatever is not permitted without written authority from the proprietor. Property of FCI. Copyright FCI.



CODE	DIM "M" MATING LENGTH	CONTACT TYPE
PA	[1.07]	POWER
X	OMITTED	OMITTED
PC	[2.34]	POWER
H	[N/A]	SIGNAL
G	[N/A]	SIGNAL
F	[N/A]	SIGNAL
E	[N/A]	SIGNAL
HA	[N/A]	HOLD-DOWN

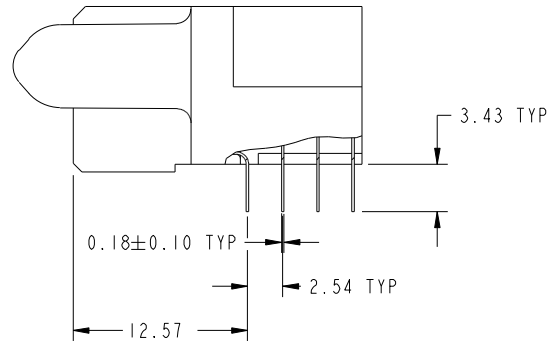
mat'l code				SEE NOTE 2		tolerances unless otherwise specified		CUSTOMER		 www.fciconnect.com		
ltr	ecn no.	dr	date	linear	0.X ± 0.5		COPY		 title	24S + 2P + 4S + 6ACP R/A SOLDER RECEPTACLE		
A	DG10-0096	ZWL	03/09/10		0.XX ± 0.25		 product family			PwrBlade		code
					0.XXX ± 0.1		WL ZHANG 03/09/10 WL ZHANG 03/09/10 PM ZHENG 03/09/10 appd Joseph Hsia 03/09/10			size		213
sheet index				revision sheet		A A A A		scale		dwg no 51915-249 sheet 1 of 4		
				1 2 3 4				1:1		cage code 22526		

Tous droits strictement reserves. Reproduction ou communication a des tiers interdite sous quelque forme que ce soit sans autorisation écrite du propriétaire. Propriete de c FCI. Droits de reproduction FCI.

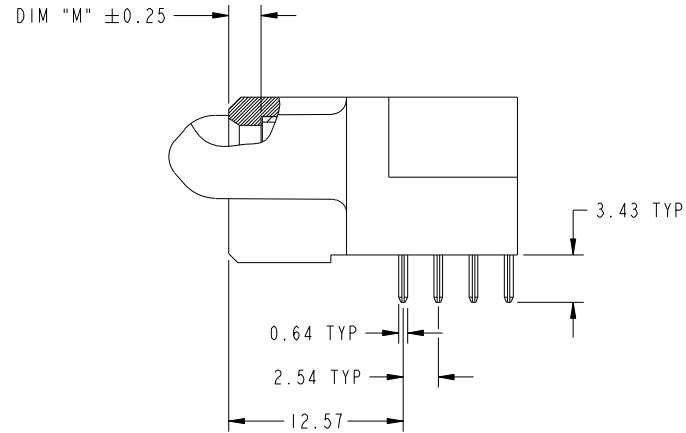
All rights strictly reserved. Reproduction or issue to third parties in any form whatever is not permitted without written authority from the proprietor. Property of FCI. Copyright FCI.



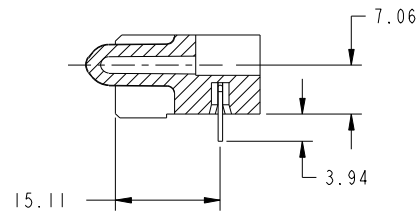
PRODUCT NUMBER  
51915-249--  
NOTE 3



BROKEN-OUT SECTION A-A  
SCALE 2:1



BROKEN-OUT SECTION B-B  
SCALE 2:1



SECTION C-C

mat'l code				SEE NOTE 2		tolerances unless otherwise specified		CUSTOMER		FCI	
ltr	ecr no.	dr	date	linear	0.X ± 0.5	COPY		projection		www.fciconnect.com	
A					0.XX ± 0.25	MIM		title		24S + 2P + 4S + 6ACP	
				angles	0.XXX ± 0.1	1:1		product family		PwrBlade	
				dr	0° ± 2°	scale		size		code	
				enr	WL ZHANG 03/09/10	A		dwg no		213	
				chr	WL ZHANG 03/09/10	1:1		51915-249		sheet	
				appd	PM ZHENG 03/09/10			A		2 of 4	
					Joseph Hsia 03/09/10						
sheet index		revision sheet									

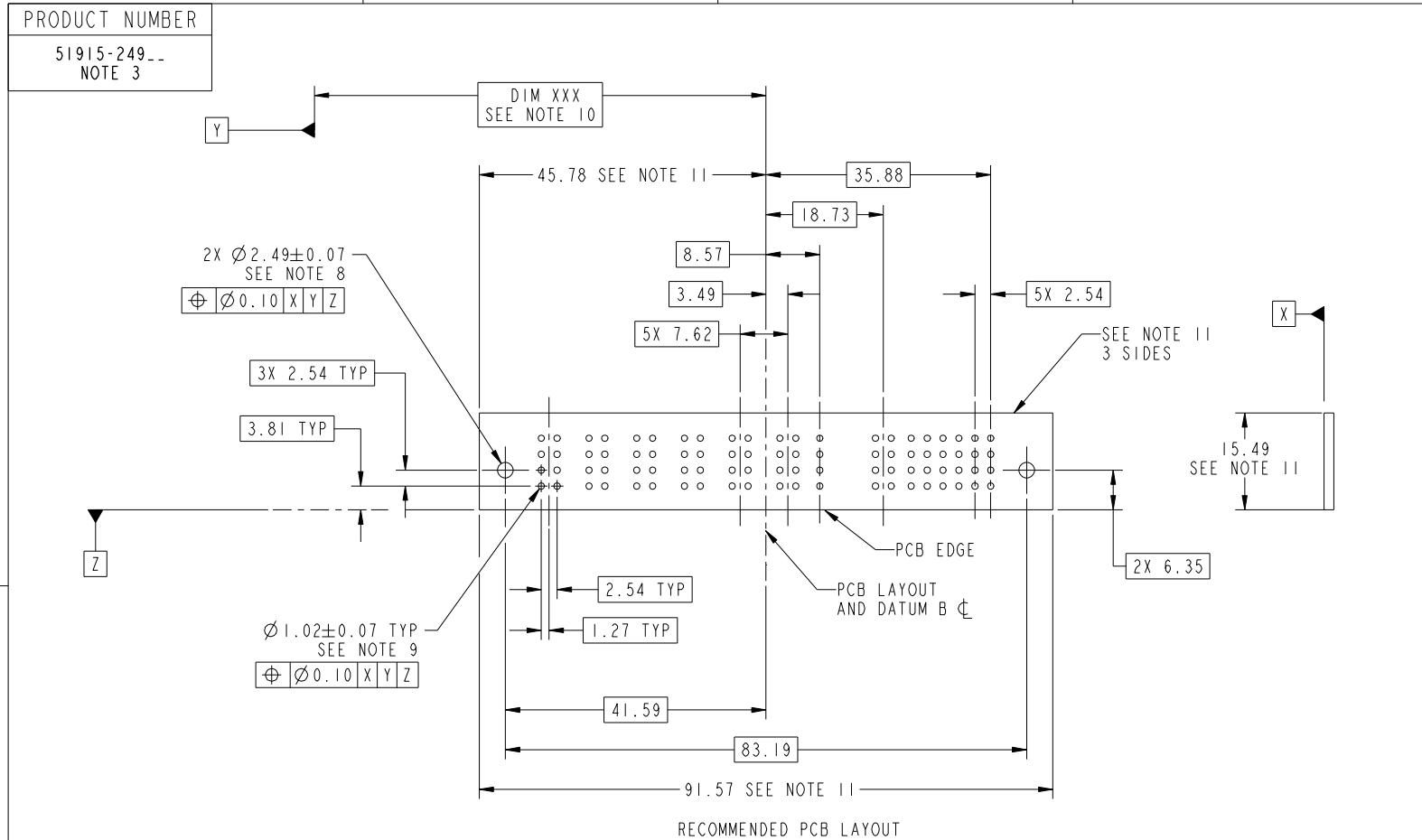
cage code 22526

Pro/E

Tous droits strictement reserves. Reproduction ou communication a des tiers interdite sous quelque forme que ce soit sans autorisation écrite du propriétaire. Propriete de c FCI. Droits de reproduction FCI.



All rights strictly reserved. Reproduction or issue to third parties in any form whatever is not permitted without written authority from the proprietor. Property of FCI. Copyright FCI.



RECOMMENDED PCB LAYOUT

mat'l code				SEE NOTE		tolerances unless otherwise specified		CUSTOMER		FCI	
ltr	ecn no.	dr	date	linear	0.X ±0.5		COPY		www.fciconnect.com		
A					0.XX ±0.25		projection		title		
					0.XXX ±0.1				24S + 2P + 4S +6ACP R/A SOLDER RECEPTACLE		
				angles	0° ±2°				product family		code
				dr	WL ZHANG 03/09/10				PwrBlade		213
				enrg	WL ZHANG 03/09/10		scale		size		sheet
				chr	PM ZHENG 03/09/10		1:1		dwg no		3 of 4
				appd	Joseph Hsia 03/09/10				51915-249		
sheet index	revision sheet										

cage code 22526

Pro/E

Tous droits strictement reserves. Reproduction ou communication a des tiers interdite sous quelque forme que ce soit sans autorisation écrite du propriétaire. Propriete de c FCI. Droits de reproduction FCI.



All rights strictly reserved. Reproduction or issue to third parties in any form whatever is not permitted without written authority from the proprietor. Property of FCI. Copyright FCI.

PRODUCT NUMBER  
51915-249--  
NOTE 3

NOTES:

1. DIMENSIONS AND TOLERANCES ARE IN ACCORDANCE WITH ASME Y14.5M, 1994 UNLESS OTHERWISE SPECIFIED.

CONNECTOR NOTES:

- 2. HOUSING MATERIAL: UL 94 V-0 GLASS FILLED HIGH-TEMP THERMOPLASTIC  
POWER CONTACT MATERIAL: COPPER ALLOY  
SIGNAL PIN MATERIAL: COPPER ALLOY
- 3. PLATING:  
SEE ITEM 5 & 6 IN PRINT 10064183 FOR PLATING SPEC OF 51915-249; 51915-249LF PRESPECTIVELY
- 4. MANUFACTURER'S NAME, DATE CODE AND OPTIONAL P/N TO APPEAR ON THIS SURFACE. THE P/N CAN BE OMITTED IF THERE IS NOT ENOUGH SPACE ON THIS SURFACE.
- 5. PRODUCT SPECIFICATION GS-12-149.  
APPLICATION SPECIFICATION BUS-20-067.
- 6. PACKAGED IN TRAYS.

PCB NOTES:

- 7. ALL HOLE DIAMETERS ARE FINISHED HOLE SIZE.
- 8. MOUNTING HOLES, WHERE APPLICABLE, ARE UNPLATED.
- 9.  $\varnothing 1.151 \pm 0.025$  DRILLED HOLES PLATED WITH  
0.008 MIN SnPb OR Sn OVER 0.03  
TO 0.08 Cu PLATING TO ACHIEVE  
 $\varnothing 1.02 \pm .07$  HOLE.
- 10. "DIM XXX" TO BE DETERMINED BY THE CUSTOMER.
- 11. CONNECTOR KEEP-OUT ZONE.
- 12. THE VOID CORING IN BETWEEN POWER MODULES, SIGNAL MODULES AND END MODULES ARE OPTIONAL AND THE SHAPE MAY BE DIFFERENT FOR OPTIMIZE THE MOLDING PROCESS. THE VOID CORING WILL NOT EFFECT TO PRODUCT FUNCTION.

mat'l code				SEE NOTE 2		tolerances unless otherwise specified		CUSTOMER		FCI	
ltr	ecr no.	dr	date	linear	0.X ± 0.5		COPY		www.fciconnect.com		
A					0.XX ± 0.25		projection		title		
					0.XXX ± 0.1				24S + 2P + 4S +6ACP R/A SOLDER RECEPTACLE		
				angles	0° ± 2°		MIM		product family		code
				dr	WL ZHANG	03/09/10	← MIM →		PwrBlade		213
				enr	WL ZHANG	03/09/10	scale		size		sheet
				chr	PM ZHENG	03/09/10	1:1		A		4 of 4
				appd	Joseph Hsia	03/09/10			51915-249		
sheet index	revision sheet										

cage code 22526

Pro/E