

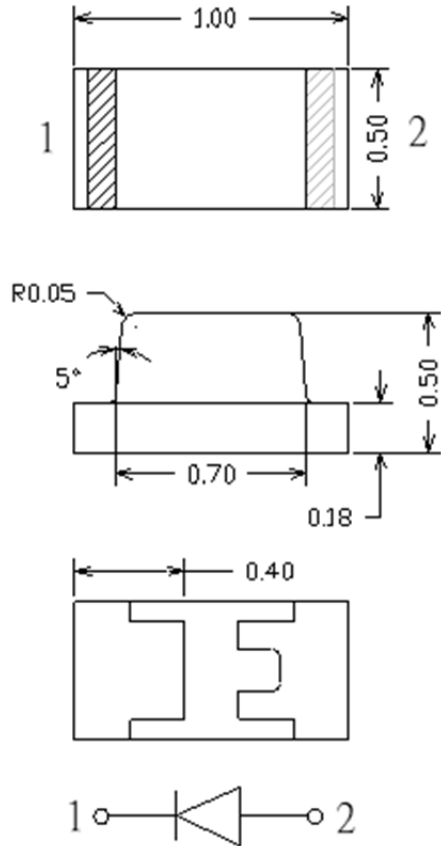


# American Opto Plus LED Corp.

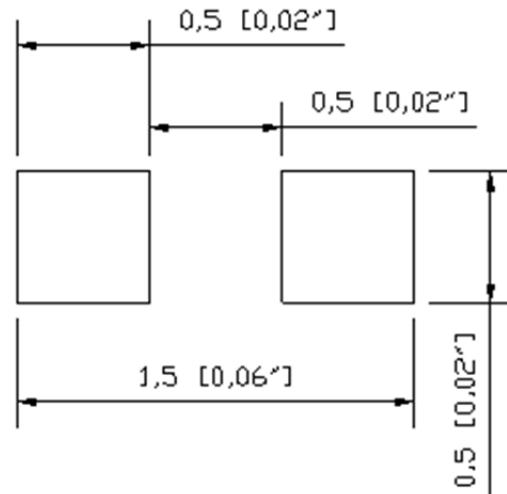
## L199LWD-56K-TR

1.0 x 0.5 x 0.5mm White SMD LED

### PACKAGE OUTLINES



### RECOMMEND PAD LAYOUT



ITEM	MATERIALS
Resin(mold)	Epoxy
Lens Color	Yellow
Dice	InGaN
Emitted Color	White
Viewing Angle	150 Degrees

#### Notes:

1. All dimensions are in millimeters (inches)
2. Tolerances are  $\pm 0.1\text{mm}$  (0.004inch) unless otherwise noted



# American Opto Plus LED Corp.

## L199LWD-56K-TR

1.0 x 0.5 x 0.5mm White SMD LED

### ABSOLUTE MAXIMUM RATINGS

(Ta=25°C)

Parameter	Symbol	Value	Unit
Power Dissipation	Pd	111	mW
Forward Current	If	30	mA
Reverse Voltage	Vr	5	V
Operating Temperature	Top	-40~+80	°C
Storage Temperature	Tstg	-40~+85	°C
Peak Pulsing Current (1/8 duty f=1kHz)	Ifp	125	mA

### ELECTRO-OPTICAL CHARACTERISTICS

(Ta=25°C)

Parameter	Test Condition	Symbol	Value			Unit
			Min	Typ	Max	
CIE Coordinates	If=20mA	X	--	0.33	--	--
		Y	--	0.34	--	--
Forward Voltage		Vf	2.8	3.1	3.7	V
Luminous Intensity		Iv	125	220	400	mcd
Viewing Angle at 50% Iv	If=10mA	2θ1/2	--	150	--	Deg
Reverse Current	Vr=5V	Ir	--	--	10	µA



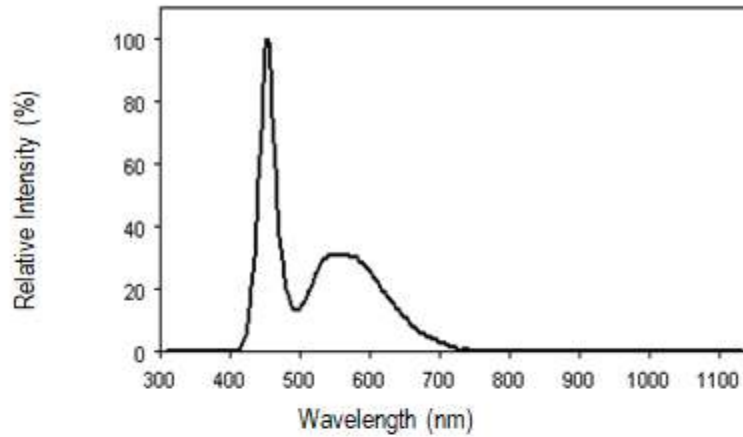
# American Opto Plus LED Corp.

## L199LWD-56K-TR

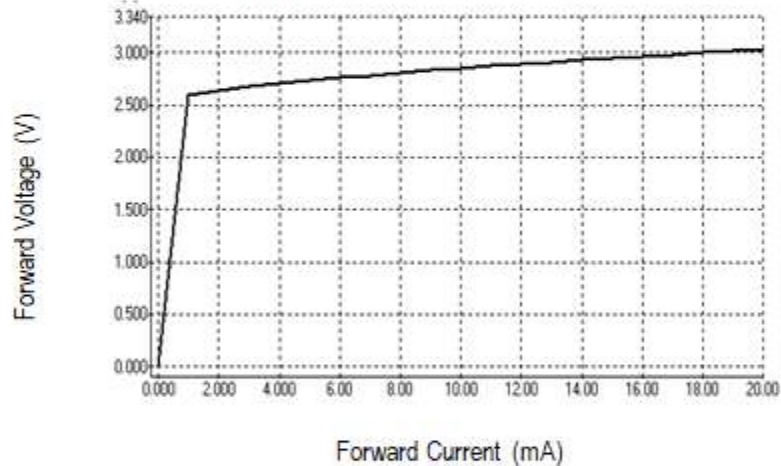
1.0 x 0.5 x 0.5mm White SMD LED

### OPTICAL CHARACTERISTIC CURVES

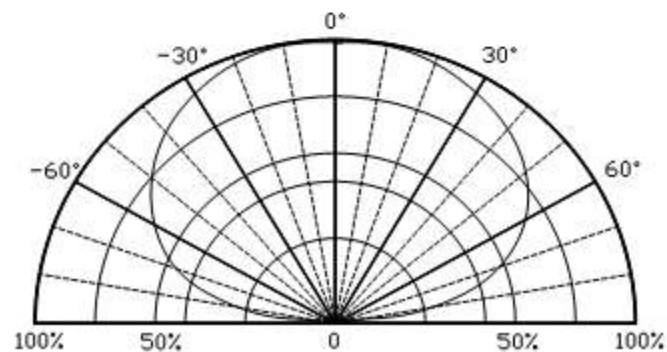
Relative Intensity vs. Wavelength



Forward Current vs. Forward Voltage



Directive Characteristics





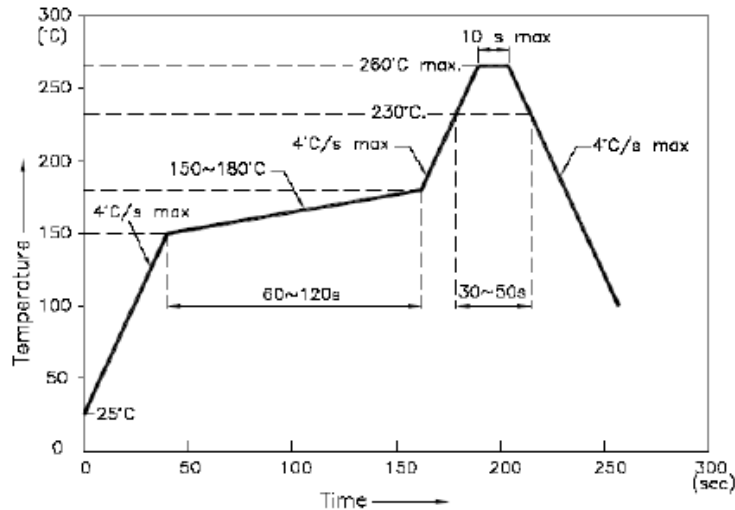
# American Opto Plus LED Corp.

## L199LWD-56K-TR

1.0 x 0.5 x 0.5mm White SMD LED

### REFLOW PROFILE

- Reflow Temp/time



#### Notes:

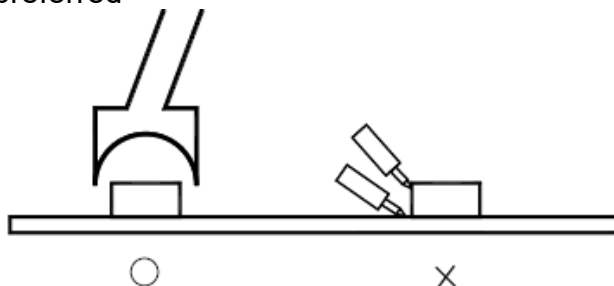
1. We recommend the reflow temperature 245°C ( $\pm 5^\circ\text{C}$ ). The maximum soldering temperature should be limited to 260°C
2. Do not cause stress to the epoxy resin while it is exposed to high temperature
3. Number of reflow process shall be 2 times or less

- Soldering Iron

Basic spec is  $\leq 5\text{sec}$  when 260°C. If temperature is higher, time should be shorter ( $+10^\circ\text{C} \rightarrow -1\text{sec}$ ). Power dissipation of iron should be smaller than 20W, and temperatures should be controllable. Surface temperature of the device should be under 230°C

- Rework

1. Customer must finish rework within 5 sec under 260°C
2. The head of iron cannot touch copper foil
3. Twin-head type is preferred



- Avoid rubbing or scraping the resin by any object, during high temperature, for example reflow, solder etc.

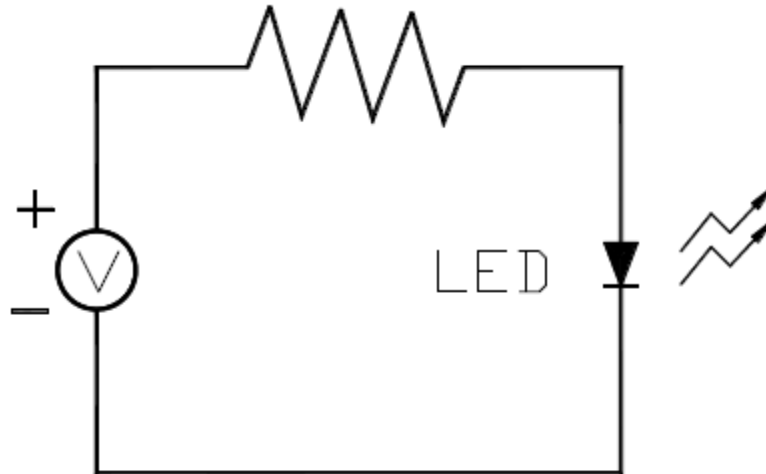


# American Opto Plus LED Corp.

## L199LWD-56K-TR

1.0 x 0.5 x 0.5mm White SMD LED

### TEST CIRCUIT



### HANDLING PRECAUTIONS

1. Over-Current-Proof  
Customer must apply resistors for protection; otherwise slight voltage shift will cause big current change (Burn out will happen)
2. Shelf life in sealed bag: 12 month at 5°C~30°C (41°F~86°F) and <60% R.H;
3. After the package is opened:
  - 3.1. It is recommended to baking before the first use:  
Baking condition:
    - a. 60±5°C x (24~48hrs) and <5%R.H, taped reel type
    - b. 110±5°C x (8~16hr), bulk type
  - 3.2. The products should be used within a week or they should be keeping to be stored at ≤20% R.H. with zip-lock sealed
    - a. It is recommended to baking before soldering when the pack is unsealed after 24hrs
    - b. Baking condition as 3.1 baking condition



# American Opto Plus LED Corp.

## L199LWD-56K-TR

1.0 x 0.5 x 0.5mm White SMD LED

### RELIABILITY TEST

Type	Test Item	Test Conditions	Note	Number of Damaged
Environmental Sequence	Temperature Cycle	-20°C 30min ↑↓ 80°C 30min	100 cycle	0/22
	Thermal Shock	-20°C 15min ↑↓ 80°C 15min	100 cycle	0/22
	High Humidity Heat Cycle	30°C↔65°C 90%RH 24hrs/1cycle	10 cycle	0/22
	High Temperature Storage	T <sub>a</sub> =80°C	1000 hrs	0/22
	Humidity Heat Storage	T <sub>a</sub> =60°C RH=90%	1000 hrs	0/22
	Low Temperature Storage	T <sub>a</sub> =-30°C	1000 hrs	0/22
Operation Sequence	Life Test	T <sub>a</sub> =25°C I <sub>F</sub> =20mA	1000 hrs	0/22
	High Humidity Heat Life Test	60°C RH=90% I <sub>F</sub> =10mA	500 hrs	0/22
	Low Temperature Life Test	T <sub>a</sub> =-20°C I <sub>F</sub> =20mA	1000 hrs	0/22



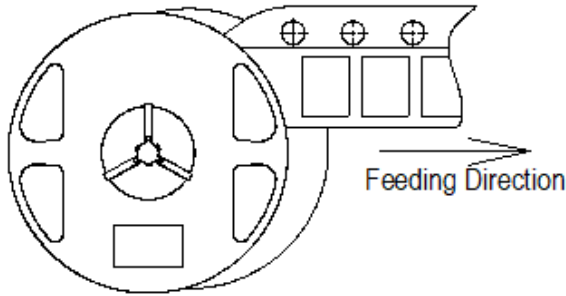
# American Opto Plus LED Corp.

## L199LWD-56K-TR

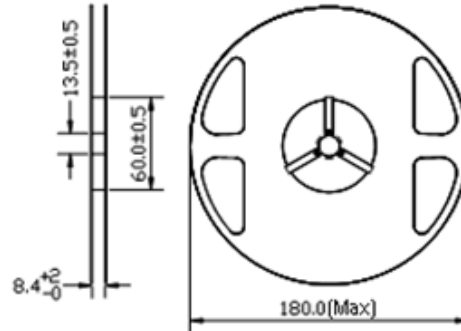
1.0 x 0.5 x 0.5mm White SMD LED

### PACKAGING SPECIFICATIONS

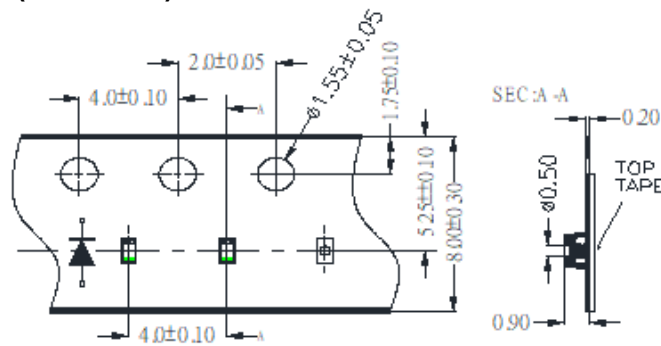
- Feeding Direction



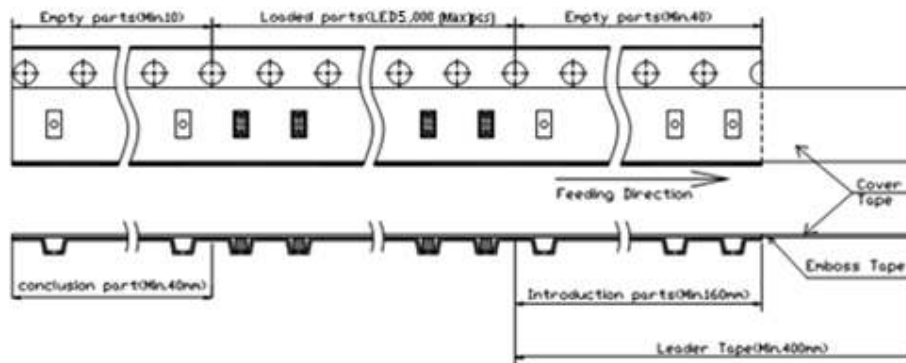
- Dimensions of Reel (Unit: mm)



- Dimensions of Tape (Unit: mm)



- Arrangement of Tape



#### Notes:

1. Empty component pockets are sealed with top cover tape
2. The maximum number of missing lamps is two
3. The cathode is oriented towards the tape sprocket hole
4. 5,000(Max) pcs/Reel

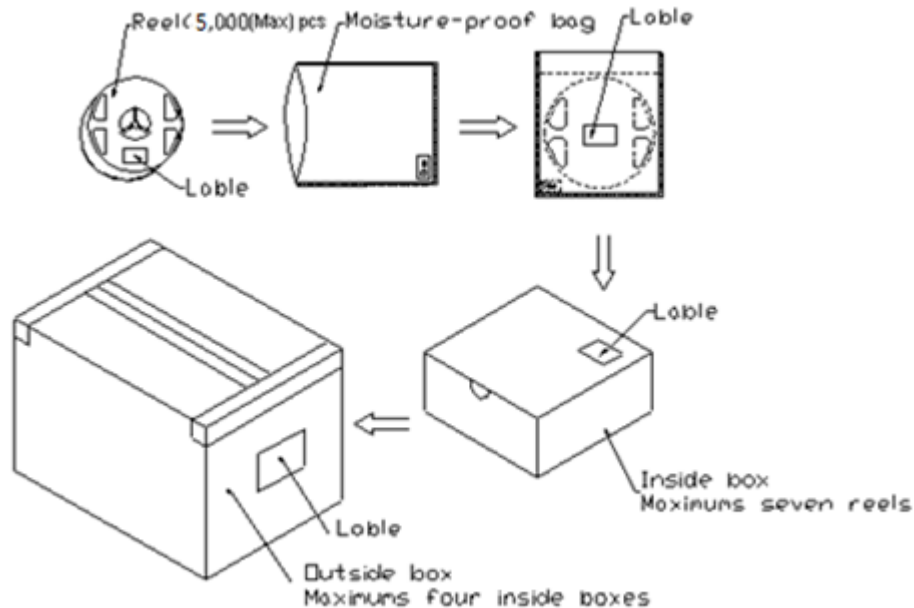


# American Opto Plus LED Corp.

## L199LWD-56K-TR

1.0 x 0.5 x 0.5mm White SMD LED

### PACKAGING SPECIFICATIONS



#### Notes:

Reeled products (numbers of products are 5,000(Max)pcs) packed in a seal off moisture-proof bag along with a desiccant one by one, Seven moisture-proof bag of maximums (total maximum number of products are 35,000(Max)pcs) packed in an inside box (size: about 238mm x about 194mm x about 102mm) and four inside boxes of maximums are put in the outside box (size: about 410mm x about 254mm x about 229mm) Together with buffer material, and it is packed. (Part No., Lot No., quantity should appear on the label on the moisture-proof bag, part No. And quantity should appear on the label on the cardboard box). The number of the loading steps of outside box (cardboard box) has it to three steps.





# American Opto Plus LED Corp.

## L199LWD-56K-TR

1.0 x 0.5 x 0.5mm White SMD LED

### FORWARD VOLTAGE RANK COMBINATION (IF=20mA)

Rank Code	Min.	Max.	Unit
f	2.8	3.1	V
g	3.1	3.4	
h	3.4	3.7	

### LUMINOUS INTENSITY RANK COMBINATION (IF=20mA)

Rank Code	Min.	Max.	Unit
K	125	160	mcd
L	160	200	
M	200	250	
N	250	320	
O	320	400	

### GROUP NAME ON LABEL (EXAMPLE DATA: gMB2 20)

Data: gMB2 20	Vf(V)	Iv (mcd)	CIE(X,Y)	Test Condition
g→M→B2→20	3.1~3.4	200~250	X(0.32~0.34),Y(0.31~0.37)	IF=20mA

#### Notes:

1. The tolerance of luminous intensity (Iv) is ±15%
2. The tolerance of Chromaticity coordinates is ±0.02
3. This specification is preliminary



# American Opto Plus LED Corp.

## L199LWD-56K-TR

1.0 x 0.5 x 0.5mm White SMD LED

### CHROMATICITY COORDINATES RANKS COMBINATION

(IF=20mA)

Rank	Chromaticity Coordinates				
A1	X	0.3	0.3	0.32	0.32
	Y	0.31	0.34	0.37	0.34
A2	X	0.3	0.3	0.32	0.32
	Y	0.28	0.31	0.34	0.31
A3	X	0.3	0.3	0.32	0.32
	Y	0.25	0.28	0.31	0.28
B1	X	0.32	0.32	0.34	0.34
	Y	0.34	0.37	0.4	0.37
B2	X	0.32	0.32	0.34	0.34
	Y	0.31	0.34	0.37	0.34
B3	X	0.32	0.32	0.34	0.34
	Y	0.28	0.31	0.34	0.31
C1	X	0.34	0.34	0.36	0.36
	Y	0.37	0.4	0.43	0.4
C2	X	0.34	0.34	0.36	0.36
	Y	0.34	0.37	0.4	0.37
C3	X	0.34	0.34	0.36	0.36
	Y	0.31	0.34	0.37	0.34

### CIE CHROMATICITY DIAGRAM

