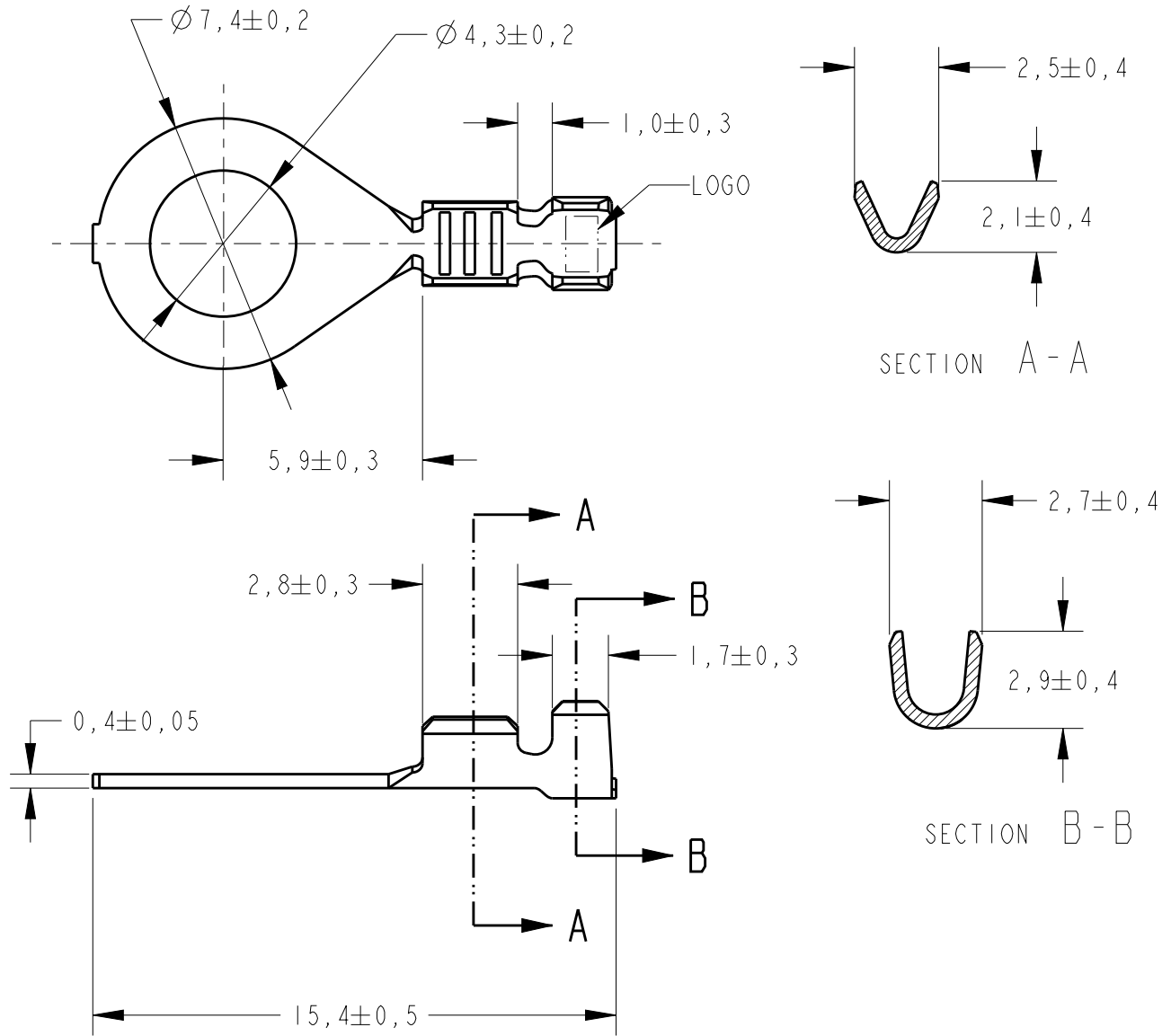


LOC AP	DIST -	REVISIONS				
P	LTR	DESCRIPTION	DATE	DWN	APVD	
	G1	REDRAWN BY CAD ECO-14-018945	12JAN2015	HC	WLS	
	G2	REVISED BY ECO 16-005813	30JUN2016	HC	WLS	



RELEASED FOR PUBLICATION


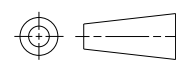
ALL RIGHTS RESERVED.

THIS DRAWING IS UNPUBLISHED.

© COPYRIGHT copyright\_dByte

<b>OBSELETE</b>	TIN PLATED	BRASS	626085-2
	—	BRASS	626085-1
	FINISH	MATERIAL	PART NUMBER

1-WIRE RANGE 24-20AWG  
INSULATION RANGE  $\varnothing$ 1,2-1,8mm.

DIMENSIONS: mm	DWN H. CANTERI 12JAN2015	MATERIAL -	FINISH -
TOLERANCES UNLESS OTHERWISE SPECIFIED:	CHK W.L. STEFANI 13JAN2015	 TE Connectivity	
0 PLC $\pm$ -	APVD -		
1 PLC $\pm 0,3$	PRODUCT SPEC -	NAME RING TONGUE	
2 PLC $\pm 0,3$	APPLICATION SPEC -	SIZE A4	CAGE CODE -
3 PLC $\pm$ -	WEIGHT -	DRAWING NO C-626085	RESTRICTED TO -
4 PLC $\pm$ -			
ANGLES $\pm 1^\circ$			
	CUSTOMER DRAWING	SCALE 5/1	SHEET 1 OF 1
			REV G2