

4

3

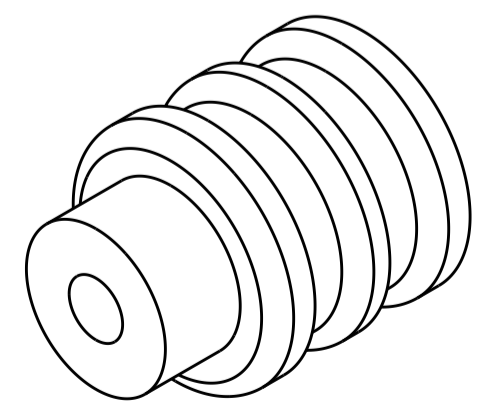
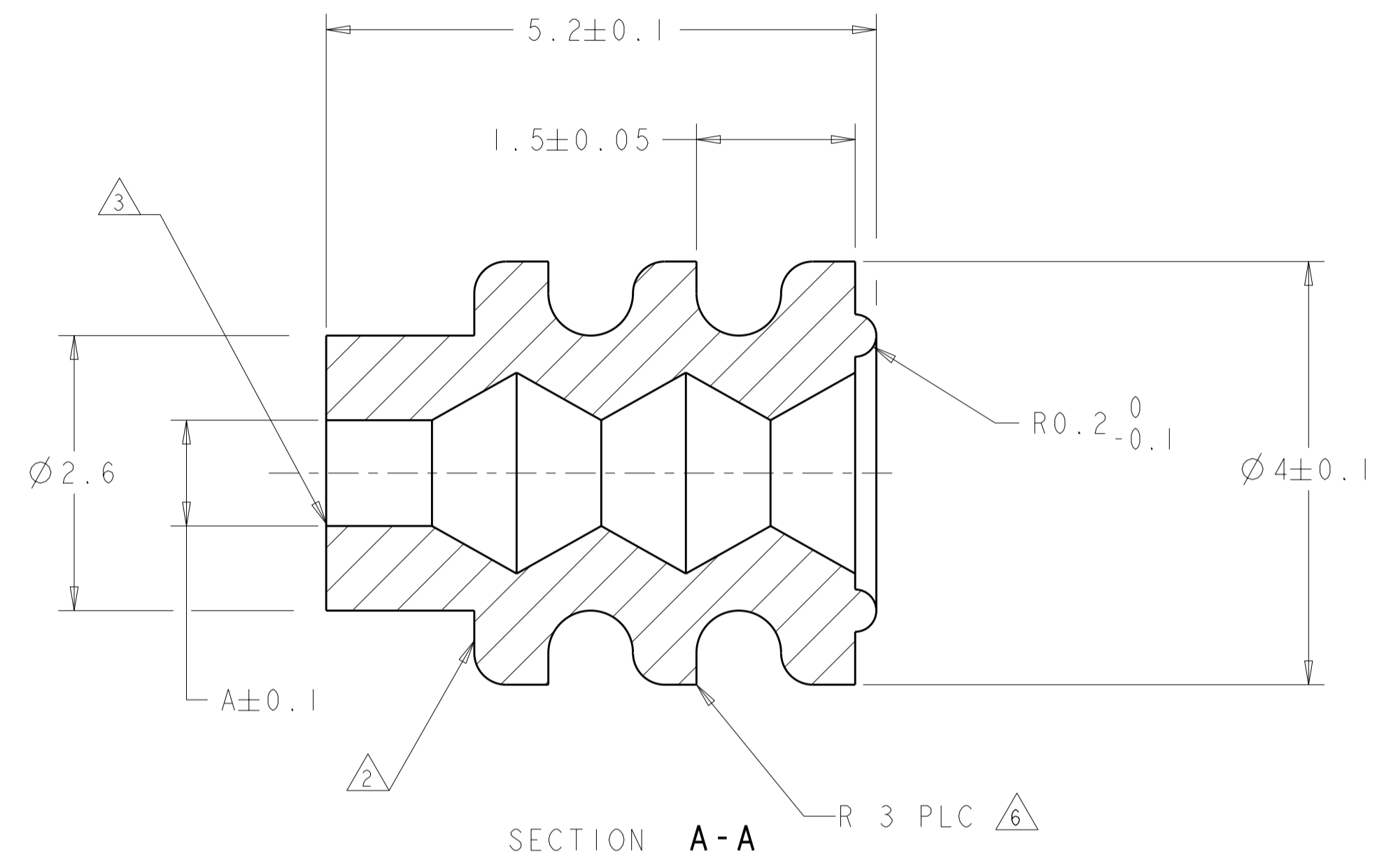
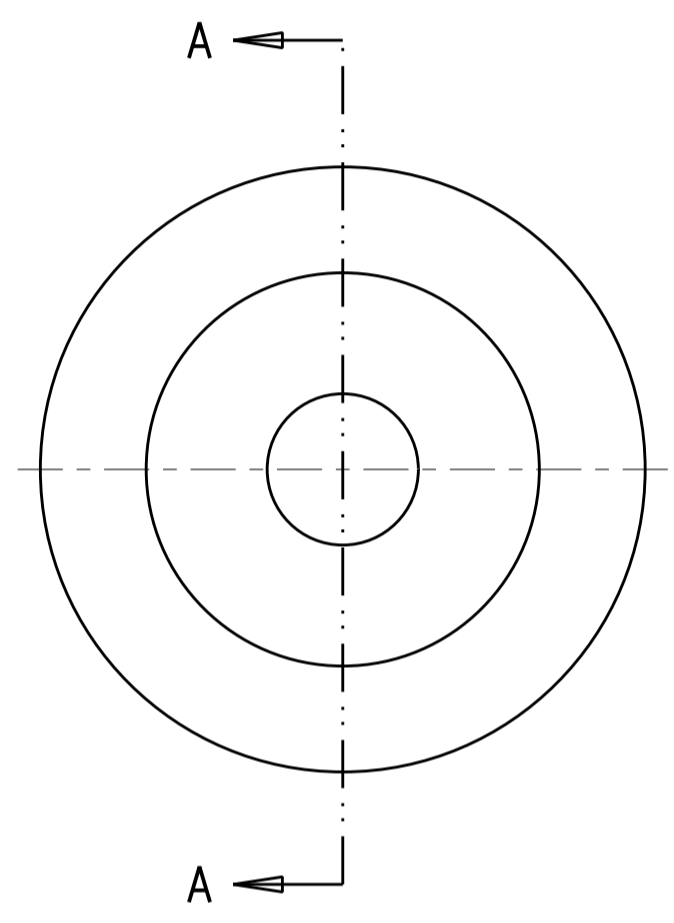
2

1

THIS DRAWING IS UNPUBLISHED. RELEASED FOR PUBLICATION 20
 © COPYRIGHT 20 BY - ALL RIGHTS RESERVED.

| LOC | DIST | REVISIONS | | | | | |
|-----|------|-----------|-----|---------------------------|---------|-----|------|
| CM | 00 | P | LTR | DESCRIPTION | DATE | DWN | APVD |
| | | D | | REVISED PER ECO-11-017731 | 31AUG11 | JR | TM |

1. FLASH ALLOWANCE TO BE 0.05 MAX HIGH x 0.03 MAX THICK.
2. FLASH NOT PERMITTED IN THIS AREA.
3. FLASH MAY BE PRESENT ON THIS EDGE. NO FORM, FIT OR FUNCTION ISSUES IF LESS THAN 0.21 LONG.
4. INSULATION DIAMETER MUST BE MET REGARDLESS OF WHICH WIRE SIZE IS USED.
5. THIS SEAL IS NOT COMPATIBLE WITH 26-30 AWG CONTACTS. 26 AWG WIRE MUST BE USED WITH 22-26 AWG CONTACTS.
6. OPTIONAL CONSTRUCTION.



3 DIMENSIONAL VIEW
SCALE 10:1

| | | | | | |
|-----------------------|-------|-----------------------|--------------|-------|-------------|
| 35.45 mm ³ | BLUE | 1.02-2.11 | 18-26 AWG | 1.0 | 794758-1 |
| VOLUME | COLOR | INSULATION DIAMETER 4 | WIRE RANGE 4 | DIM A | PART NUMBER |

| | | | | | |
|--|--|---------------------------------|--|--|--|
| THIS DRAWING IS A CONTROLLED DOCUMENT. | | DWN K. WHITAKER 15FEB2001 | TE Connectivity | | |
| DIMENSIONS: mm | | CHK C. JONES 15FEB2001 | | | |
| TOLERANCES UNLESS OTHERWISE SPECIFIED: | | APVD C. JONES 15FEB2001 | NAME SINGLE WIRE SEAL, MINI UNIVERSAL MATE-N-LOK(TM) | | |
| 0 PLC ±.2 | | PRODUCT SPEC | SIZE | | |
| 1 PLC ±.2 | | APPLICATION SPEC | CAGE CODE | | |
| 2 PLC ±. | | WEIGHT | DRAWING NO | | |
| 3 PLC ±. | | MATERIAL | RESTRICTED TO | | |
| 4 PLC ±. | | SILICON RUBBER | A200779C-794758 | | |
| ANGLES ±2° | | CUSTOMER DRAWING | SCALE 20:1 | | |
| FINISH | | | SHEET 1 OF 1 | | |
| | | | REV D | | |