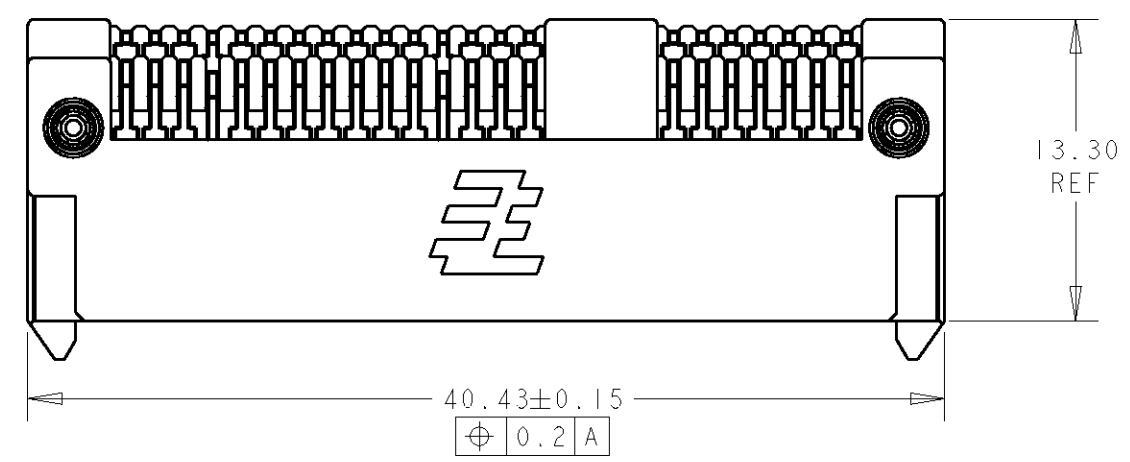


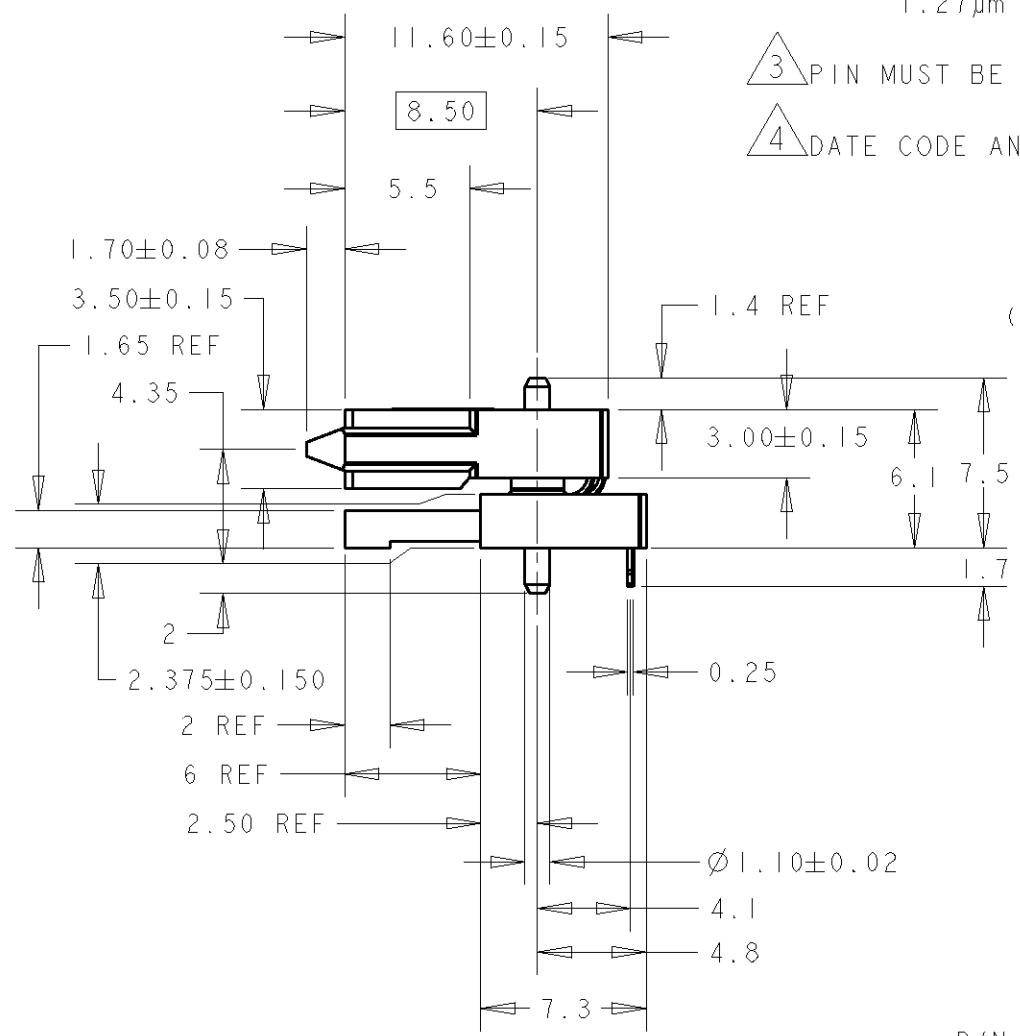
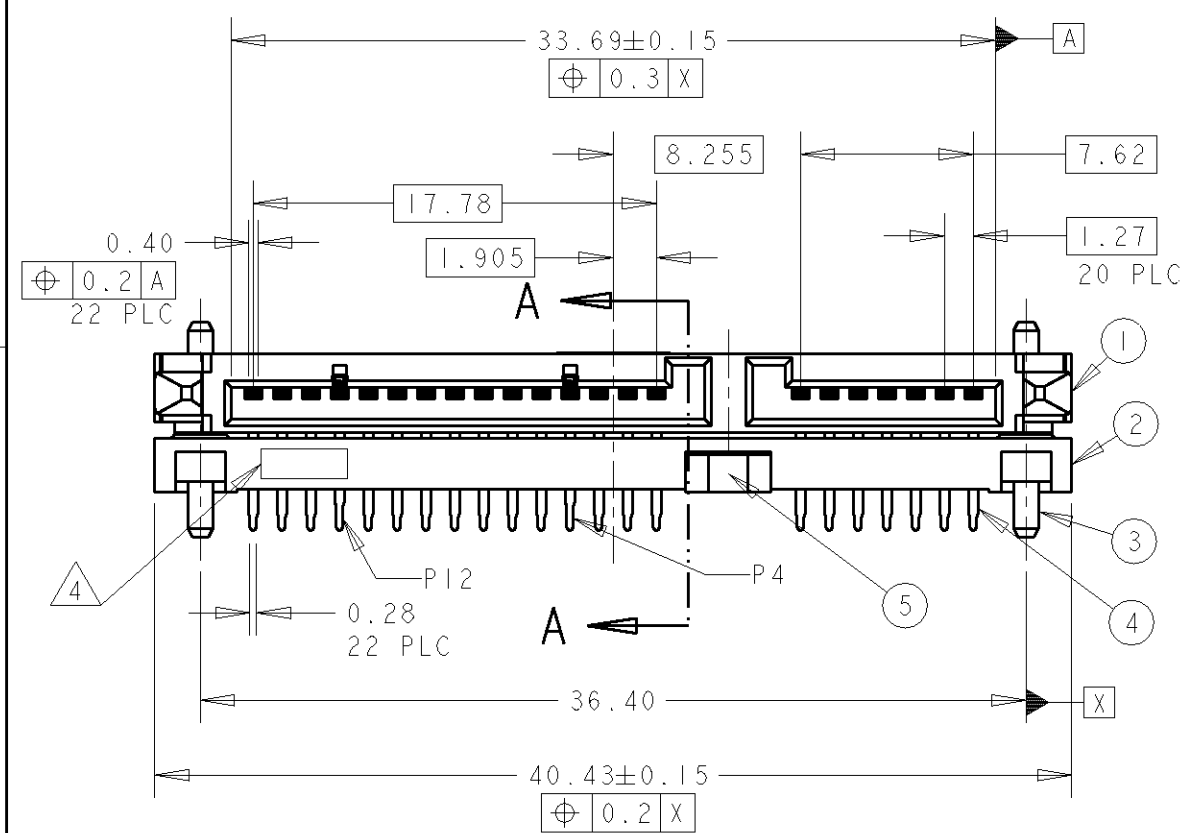
THIS DRAWING IS UNPUBLISHED. RELEASED FOR PUBLICATION .19  
 © COPYRIGHT 19 BY AMP INCORPORATED. ALL RIGHTS RESERVED.

LOC	DIST	REVISIONS					
		P	LTR	DESCRIPTION	DATE	DWN	APVD
DY	-		AI	REVISED ECR-08-012045	13MAY08	JC	TAP

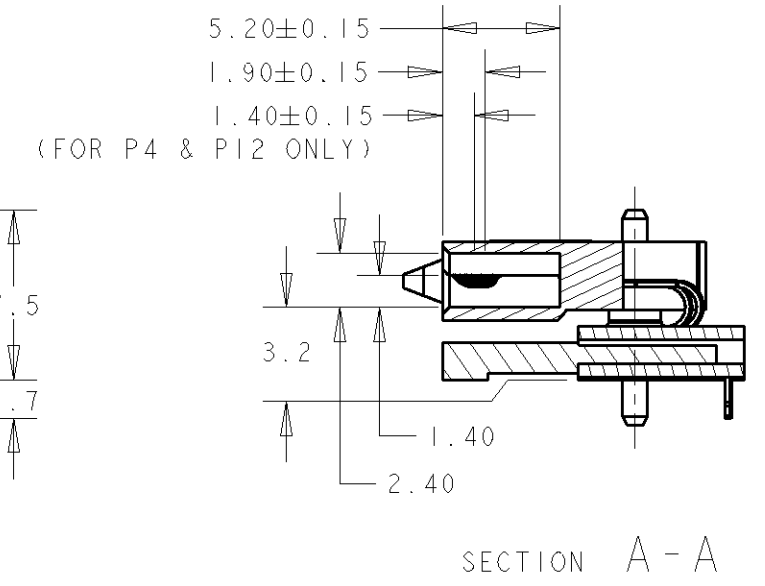


**1 MATERIAL:**  
 HOUSING: THERMOPLASTIC HIGH TEMP., UL94V-0, COLOR: BLACK  
 CONTACT: PHOSPHOR BRONZE  
 PIN: BRASS  
 CAP: THERMOPLASTIC HIGH TEMP., UL94V-0, COLOR: BLACK  
 EMBOSS TAPE: PS, COLOR: CLEAR  
 COVER TAPE: PET

**2 FINISH:**  
 CONTACT:  
 CONTACT AREA:  $0.2 \mu\text{m}$  Au PL.  
 $1.27 \mu\text{m}$  NICKEL UNDER PL. ALL OVER  
 SOLDERING AREA:  $2-5 \mu\text{m}$  MATTE TIN PL.  
 $1.27 \mu\text{m}$  NICKEL UNDER PL. ALL OVER  
 PIN:  $2-5 \mu\text{m}$  MATTE TIN PL. ALL OVER  
 $1.27 \mu\text{m}$  NICKEL UNDER PL. ALL OVER



**3** PIN MUST BE SOLDERED WITH PCB  
**4** DATE CODE AND ASSY MACHINE ID



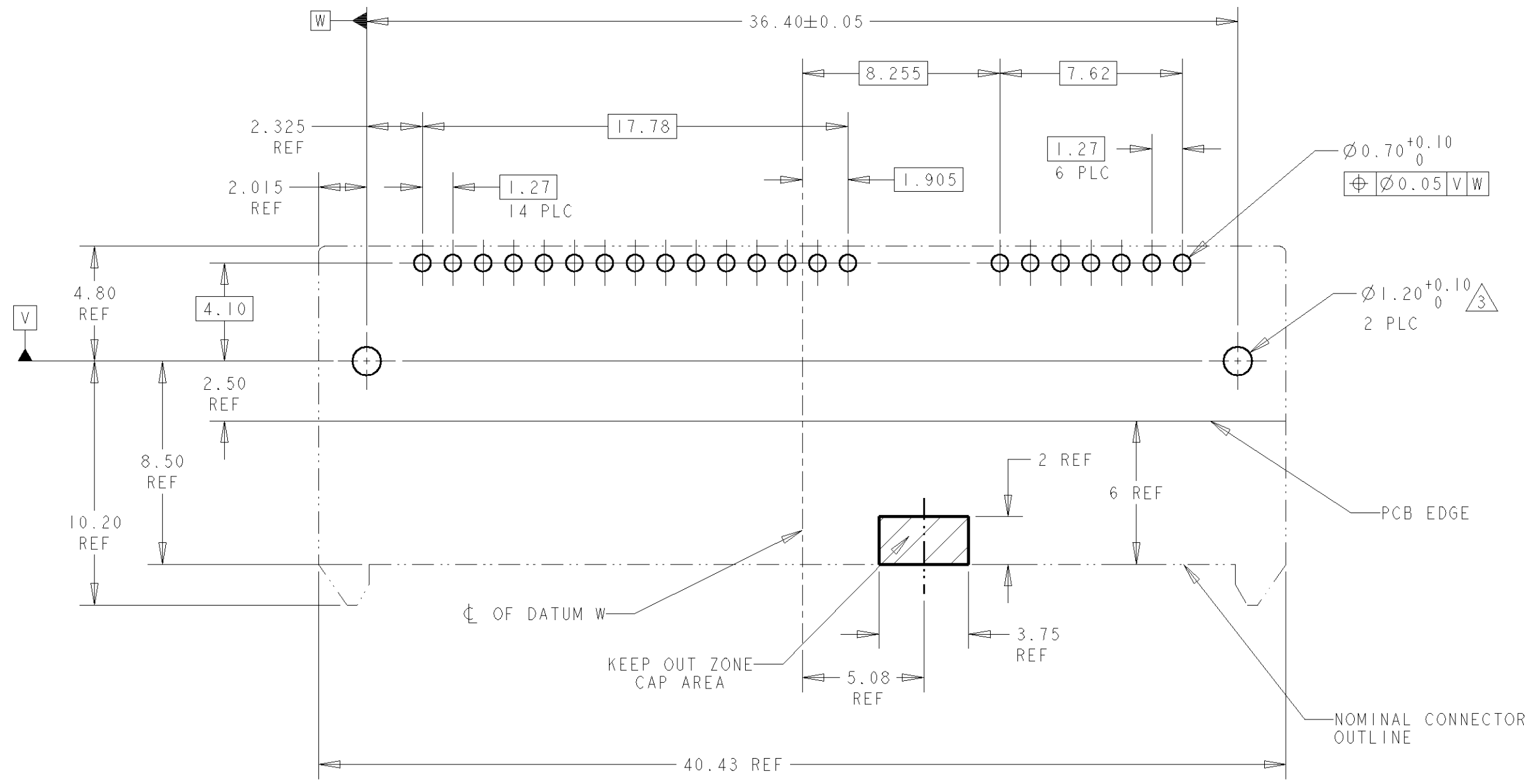
PART LIST	ITEM NO.
CAP	5
CONTACT	4
PIN	3
LOWER HOUSING	2
UPPER HOUSING	1

P/N: 1759925-1 AS SHOWN

THIS DRAWING IS A CONTROLLED DOCUMENT FOR AMP INCORPORATED. IT IS SUBJECT TO CHANGE AND THE CONTROLLING ENGINEERING ORGANIZATION SHOULD BE CONTACTED FOR THE LATEST REVISION.		DWN WYLEE 24JUL07	Tyco Electronics Tyco Electronics Corporation Singapore
DIMENSIONS: mm		CHK JASON CHOW 24JUL07	
TOLERANCES UNLESS OTHERWISE SPECIFIED:		APVD AP TAY 24JUL07	NAME REC ASSY A-FREE SATA H4.35
0 PLC $\pm 0.2$ 1 PLC $\pm 0.2$ 2 PLC $\pm 0.2$ 3 PLC $\pm 0.2$ 4 PLC $\pm 0.2$ ANGLES $\pm 3^\circ$		PRODUCT SPEC 108-78274	SIZE A3
MATERIAL <b>1</b>		APPLICATION SPEC -	CAGE CODE 00779
FINISH <b>2</b>		WEIGHT -	DRAWING NO 1759925
		CUSTOMER DRAWING	SCALE 3:1
			SHEET 1 OF 3
			REV A1

THIS DRAWING IS UNPUBLISHED. RELEASED FOR PUBLICATION .19 .  
 © COPYRIGHT 19 BY AMP INCORPORATED. ALL RIGHTS RESERVED.

LOC	DIST	REVISIONS			
P	LTR	DESCRIPTION	DATE	DWN	APVD
DY	-	SEE SHEET 1			



REFERENCE PCB LAYOUT  
 REFERENCE PCB THICKNESS t=1.2  
 SCALE 5:1

THIS DRAWING IS A CONTROLLED DOCUMENT FOR AMP INCORPORATED. IT IS SUBJECT TO CHANGE AND THE CONTROLLING ENGINEERING ORGANIZATION SHOULD BE CONTACTED FOR THE LATEST REVISION.		DWN WYLEE	24JUL07	Tyco Electronics Corporation Singapore	
DIMENSIONS: mm		CHK JASON CHOW	24JUL07	NAME REC ASSY A-FREE SATA H4.35	
TOLERANCES UNLESS OTHERWISE SPECIFIED: 0 PLC ± 1 PLC ± 2 PLC ± 3 PLC ± 4 PLC ± ANGLES ±		APVD AP TAY	24JUL07		
MATERIAL -		FINISH -		PRODUCT SPEC -	APPLICATION SPEC -
		WEIGHT -		SIZE A3	CAGE CODE 00779
		CUSTOMER DRAWING		DRAWING NO 1759925	SCALE - SHEET 2 OF 3 REV A1

4

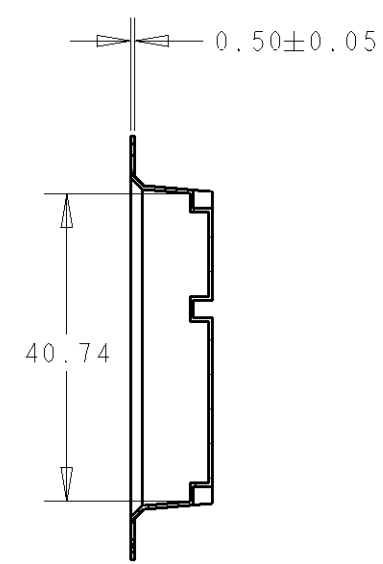
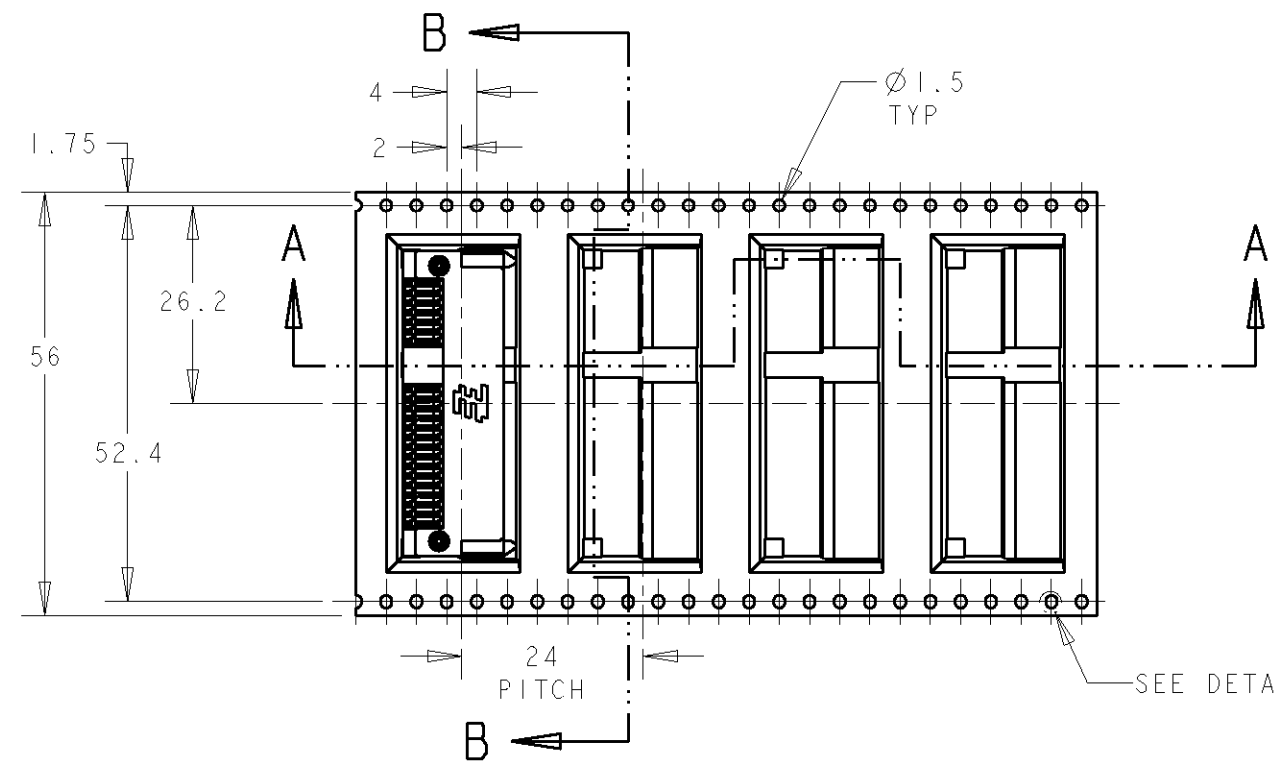
3

2

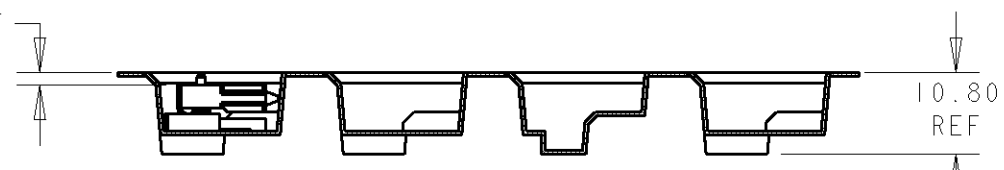
1

THIS DRAWING IS UNPUBLISHED. RELEASED FOR PUBLICATION .19 .  
 © COPYRIGHT 19 BY AMP INCORPORATED. ALL RIGHTS RESERVED.

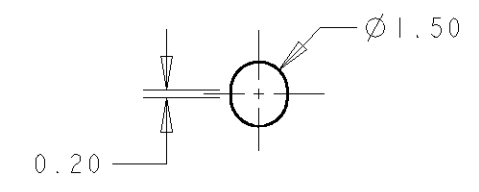
LOC	DIST	REVISIONS			
P	LTR	DESCRIPTION	DATE	DWN	APVD
DY	-	SEE SHEET 1			



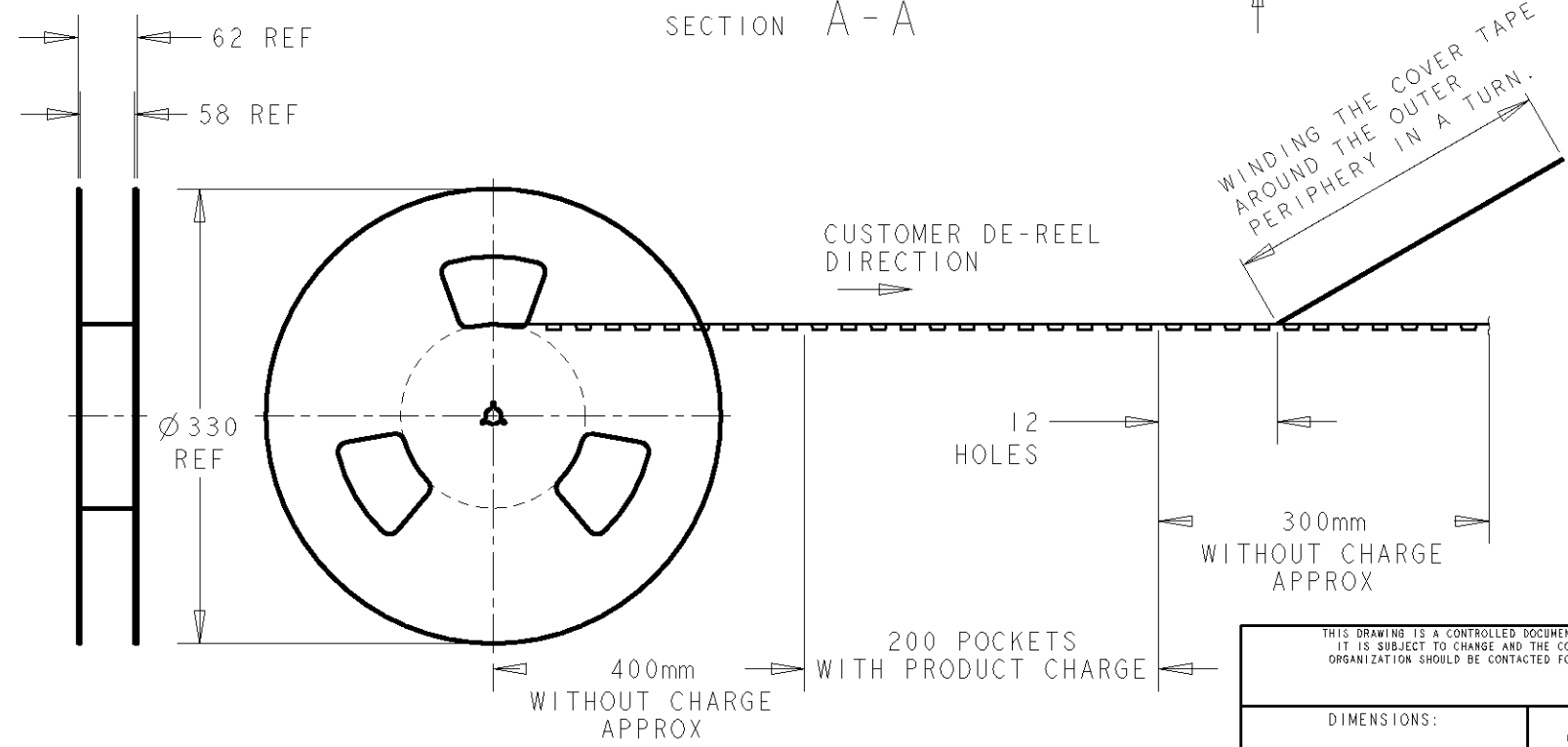
SECTION B-B



SECTION A-A



DETAIL C  
SCALE 5:1



PEELING STRENGTH: 20g TO 70g  
 PEELING ANGLE: 165° TO 180°  
 PEELING SPEED: 300mm/MINUTE  
 QUANTITY PER REEL: 200 PIECES

<small>THIS DRAWING IS A CONTROLLED DOCUMENT FOR AMP INCORPORATED. IT IS SUBJECT TO CHANGE AND THE CONTROLLING ENGINEERING ORGANIZATION SHOULD BE CONTACTED FOR THE LATEST REVISION.</small>		DWN WYLEE 24JUL07	Tyco Electronics Corporation Singapore	
DIMENSIONS: mm		CHK JASON CHOW 24JUL07	NAME REC ASSY A-FREE SATA H4.35	
		APVD AP TAY 24JUL07		
TOLERANCES UNLESS OTHERWISE SPECIFIED: 0 PLC ± 1 PLC ± 2 PLC ± 3 PLC ± 4 PLC ± ANGLES ±		PRODUCT SPEC -	SIZE A3	CAGE CODE 00779
MATERIAL 		FINISH -	APPLICATION SPEC -	DRAWING NO C-1759925
		WEIGHT -	CUSTOMER DRAWING	SCALE NTS
				SHEET 3 OF 3
				REV A1