

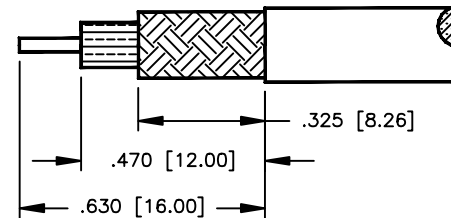
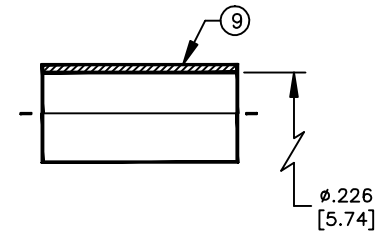
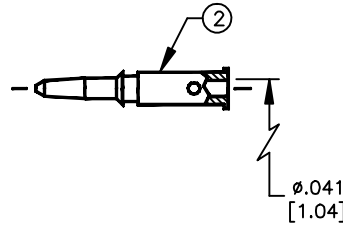
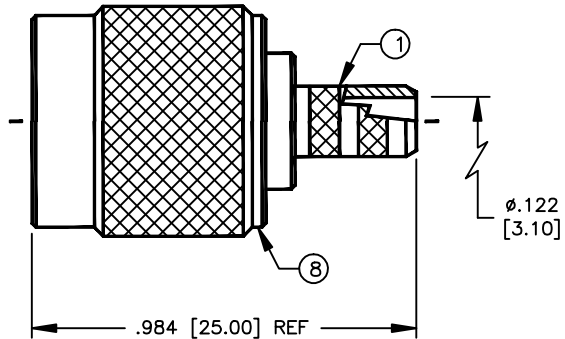
# SPECIFICATION CONTROL DRAWING

THIS DRAWING CONTAINS INFORMATION PROPRIETARY TO RF INDUSTRIES, LTD. ANY UNAUTHORIZED USE OF THIS DRAWING IS EXPRESSLY PROHIBITED. ANY VIOLATION IS PUNISHABLE UNDER U.S. COPYRIGHT LAWS.

REV	DESCRIPTION	DWN	DATE	APPROVED
A	ENGINEERING RELEASE	CZS	6/7/99	R. RICE

ALL DIMENSIONS ARE REFERENCE ONLY

008974



SUGGESTED STRIPPING INSTRUCTIONS  
SUGGESTED CRIMP DIES: .068 & .213

## SPECIFICATIONS:

IMPEDANCE: 50 OHMS  
 WORKING VOLTAGE: 500 VRMS @ SEA LEVEL  
 FREQUENCY RANGE: 0-7 GHz  
 INSERTION LOSS:  $\leq$  -.2 dB @ 3 GHz  
 VSWR MAX: 1.3:1 @ 3 GHz  
 FOR RG-55, 55A, 55B, 142, 142A, 142B & 223/U,  
 ALPHA 9055, 9055B, 9223, BELDEN 8219, 83242, 84142, 9907

DIMENSIONS ARE IN INCHES  
 AND [MILLIMETERS]

UNLESS OTHERWISE NOTED  
 TOLERANCES ARE:  
 DECIMALS DIAMETER

DRAWN  
 C. ZUNIGA 6/7/99

CHECKED

ORJ DRAWN  
 C. ZUNIGA 6/7/99

APPROVALS DATE

**RFconnectors**  
 DIVISION OF RF INDUSTRIES, LTD.

7610 MIRAMAR RD  
 SAN DIEGO, CA 92126  
 (619)549-6340  
 (619)549-6345 FAX

## RFT-1202-2TC1

TNC MALE CRIMP

SIZE	CABLE GROUP	DWG NO.	REV
A	C1	9189	A

SCALE: 2:1      CAD FILE 13ARC B      SHEET 1 OF 1

ITEM	DESCRIPTION	QTY	MATERIAL	FINISH
9	FERRULE [FER-10C1]	1	BRASS	NICKEL
8	SHELL	1	BRASS	NICKEL
7	WASHER	1	BRASS	NICKEL
6	RING	1	DELTRIN	NONE
5	RETAINING RING	1	BRASS	NONE
4	GASKET	1	S.I. RUBBER	RED
3	DIELECTRIC	1	PTFE	NONE
2	PIN	1	BRASS	GOLD
1	BODY	1	BRASS	NICKEL