

Materials

1. C3604 brass, nickel plated
2. C3604 brass, nickel plated
3. POM, black

Electrical requirements

Dielectric strength: 1 min @ 500 Vac and 2mA
Insulation resistance: 100 MΩ @ 500 Vdc
Contact resistance: 50 mΩ or less

Mechanical requirements

Durability: 5000 mating cycles while maintaining normal operation and < 50mΩ
Bending strength: ≥ 3.2 kg
Breaking strength: ≥ 6.8 kg

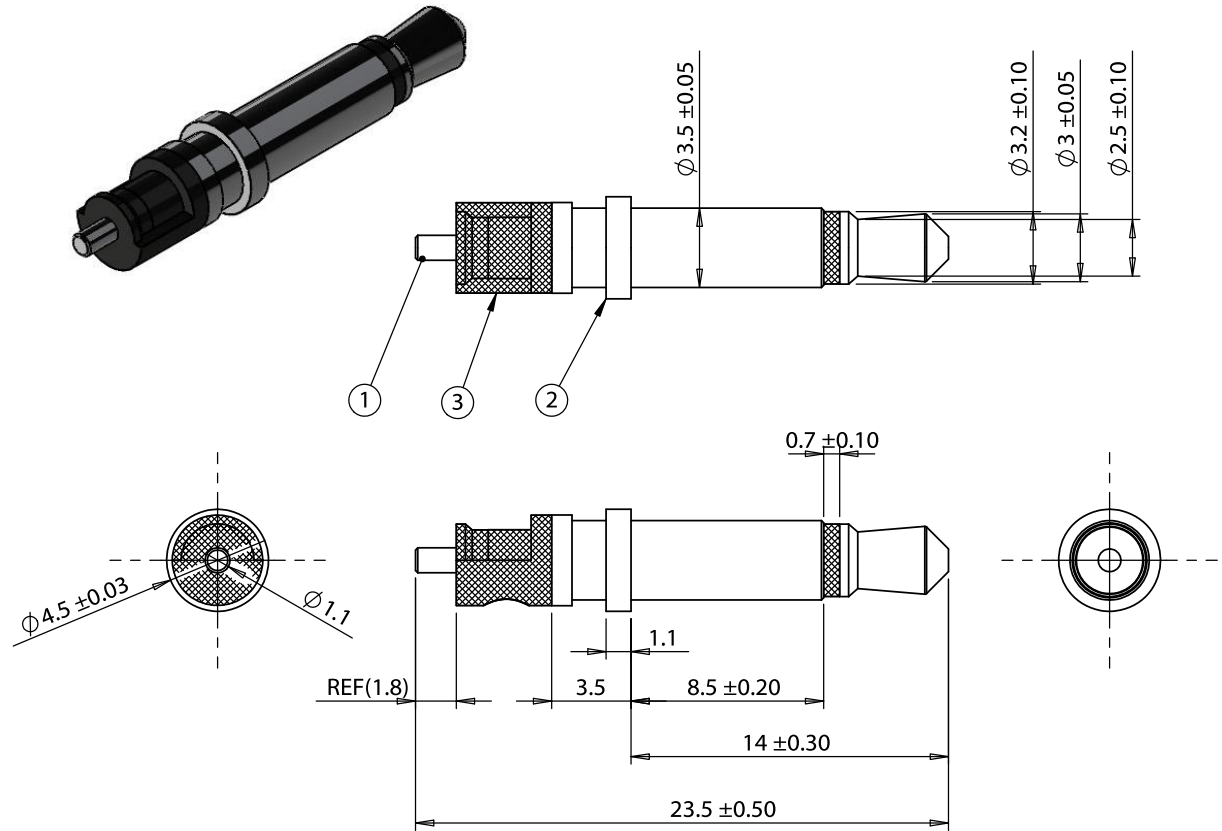
Environmental tests

Salt spray test: 5% NaCl spray at 1ml/80cm²/h, chamber temp 46.5°C, spray temp 35°C, 87% humidity, 48 hours.
No oxidation.

Cold resistance: -25°C±3 for 2 hours with no degradation.
Heat resistance: 85°C±3 for 2 hours with no degradation.

Operating range

-30 to 85 °C



REVISION	DATE	DESCRIPTION
A	3/6/14	Initial release

PREPARED:

JM
2014.03.06 11:16:53 -08'00'

VERIFIED:

LA
Digitally signed by LA
DN: cn=LA, o=Tensility, ou,
email=040201@tensility.com, c=US
Date: 2014.03.06 12:10:38 -0800'

DIMENSIONS ARE IN
MILLIMETERS

TOLERANCES:

X: ± 0.5 mm
X.X: ± 0.3 mm
X.XX: ± 0.05 mm

NOTES

RoHS compliant

Function test: no open, no short circuit, no INT

DESCRIPTION:

Connector, mono plug, 3.5xL23.5 mm, brass, nickel plated, molding style

TENSILITY

20802 Sockeye Place #130
Bend, OR 97701 USA
tel 541.323.3228 fax 541.323.4202
800 877.670.7118 www.tensility.com

SIZE
A

PART NUMBER
50-00399

SCALE: 3:1

WEIGHT:

SHEET 1 OF 1