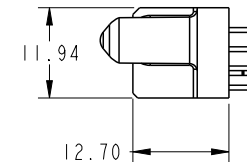
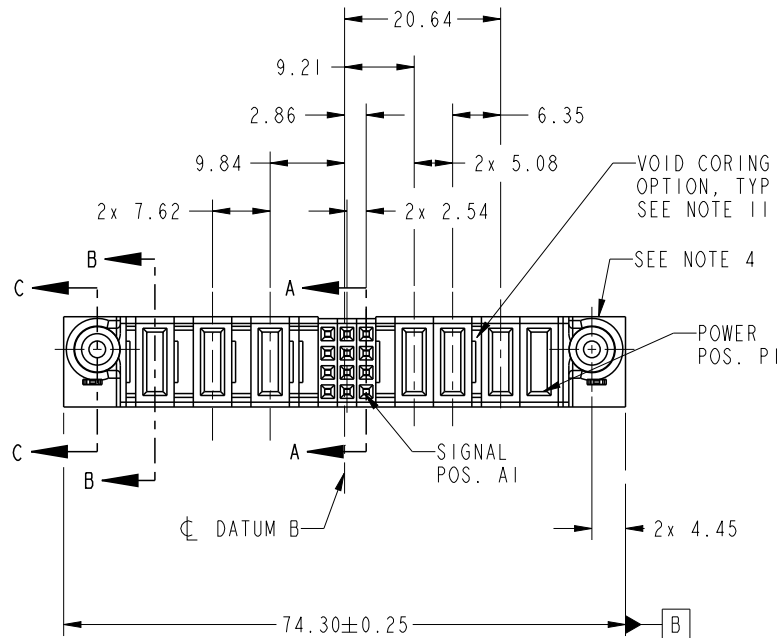


PRODUCT NO.	ROWS	POWER		SIGNAL				POWER					
		E2	P7	P6	P5	3	2	1	P4	P3	P2	P1	E1
51940-553-- NOTE: 3	D C B A		PA	PD	PA	E	E	E	PA	PA	PD	PD	

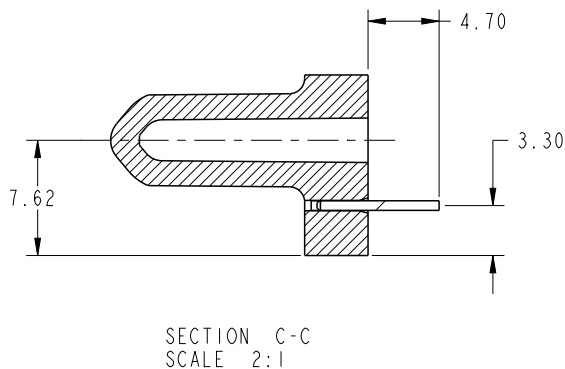
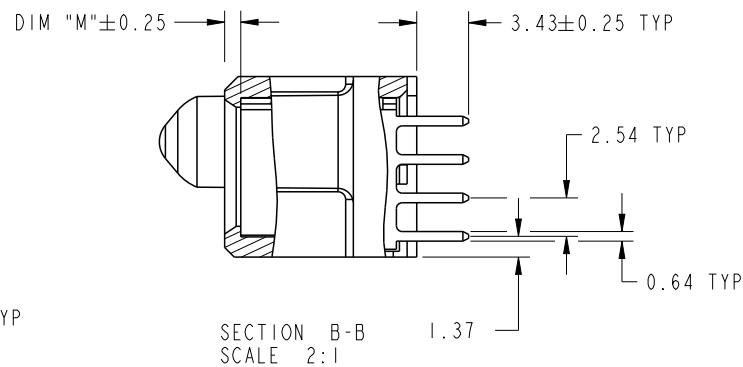
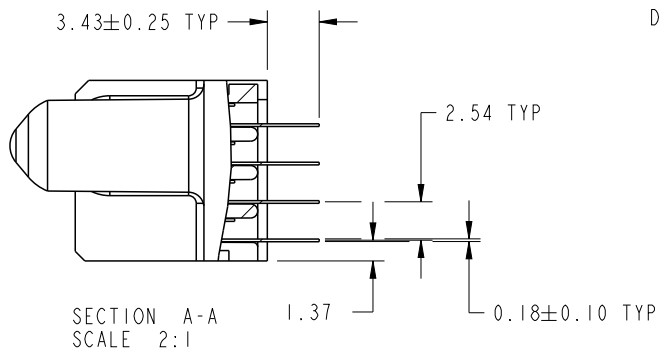


CODE	DIM "M" MATING LENGTH	CONTACT TYPE
E	[N/A]	SIGNAL
PA	[1.07]	POWER
PD	[2.34]	POWER
HA	[N/A]	HOLD-DOWN

spec ref	*	dr	Ruan MT	2014/10/23	projection	MM	size	A4	scale	1:1		
tolerance std	TOLERANCES UNLESS OTHERWISE SPECIFIED	eng	De-Ming Lu	2014/11/14			ecn no	-	rel level		Released	
SEE NOTE		chr	-	-	product family		PwrBlade					
surface	linear	appr	Pei-Ming Zheng	2014/11/14	www.fci.com	title	4P + 12S + 3ACP VERTICAL STB RECEPT		dwg no	51940-553	rev	A
	angular			cat. no.	*	Product - Customer Drw			sheet 1 of 4			

PRODUCT NUMBER

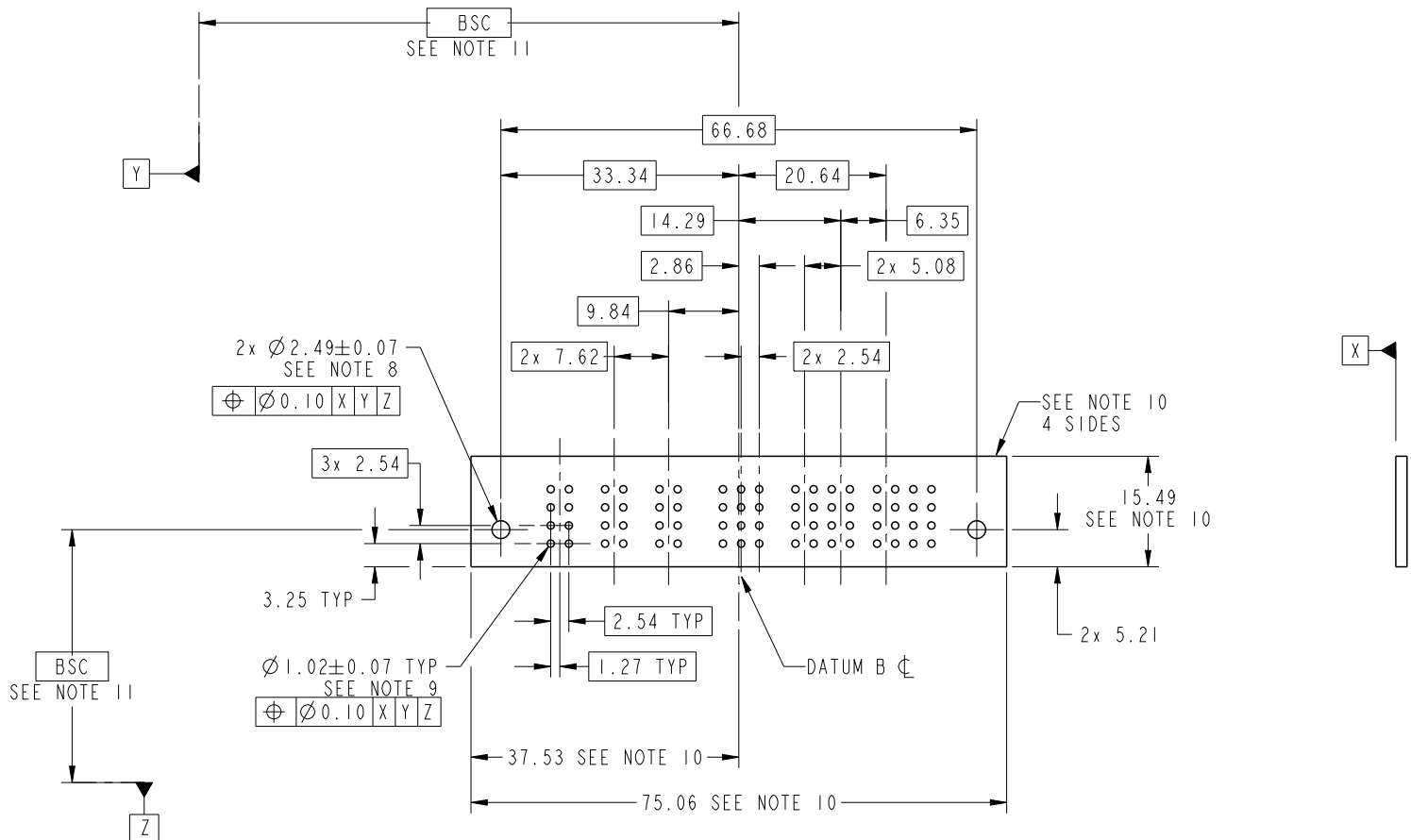
51940-553\_\_  
NOTE: 3



dr	Ruan MT	2014/10/23	projection 	MM 	size	A4	scale	1:1
eng	De-Ming Lu	2014/11/14			ecn no	-		
chr	-	-			rel level	Released		
appr	Pei-Ming Zheng	2014/11/14	product family	PwrBlade	rev	A		
		title 4P + 12S + 3ACP VERTICAL STB RECEPT	dwg no 51940-553	cat. no. *	Product - Customer Drw	sheet 2 of 4		

PRODUCT NUMBER

51940-553\_\_  
NOTE: 3



RECOMMENDED PCB LAYOUT

dr	Ruan MT	2014/10/23	projection 	MM 	size	A4	scale	1:1
eng	De-Ming Lu	2014/11/14			ecn no	-		
chr	-	-			rel level	Released		
appr	Pei-Ming Zheng	2014/11/14	product family	PwrBlade	rev	A		
		title 4P + 12S + 3ACP VERTICAL STB RECEPT	dwg no 51940-553	www.fci.com	cat. no. *	Product - Customer Drw	sheet 3 of 4	



Copyright FCI.

1

2

3

4

PRODUCT NUMBER

51940-553\_\_  
NOTE: 3

NOTES:

1. DIMENSIONS AND TOLERANCES ARE IN ACCORDANCE WITH ASME Y14.5M, 1994 UNLESS OTHERWISE SPECIFIED.

CONNECTOR NOTES:

2 HOUSING MATERIAL: UL 94 V-0 GLASS FILLED HIGH-TEMP THERMOPLASTIC  
POWER CONTACT MATERIAL: COPPER ALLOY  
SIGNAL PIN MATERIAL: COPPER ALLOY

3. SEE ITEM 5 & 6 IN PRINT 10064183 FOR PLATING SPEC OF 51940-553 AND 51940-553LF RESPECTIVELY.

4 MANUFACTURER'S NAME, DATE CODE AND OPTIONAL P/N TO APPEAR ON THIS SURFACE. THE MARK CAN BE OMITTED IF THERE IS NOT ENOUGH SPACE ON THIS SURFACE.

5. PRODUCT SPECIFICATION GS-12-149.  
APPLICATION SPECIFICATION BUS-20-067.

6. PACKAGED IN TRAYS.

PCB NOTES:

7. ALL HOLE DIAMETERS ARE FINISHED HOLE SIZE.

8 MOUNTING HOLES, WHERE APPLICABLE, ARE UNPLATED.

9  $\varnothing 1.151 \pm 0.025$  DRILLED HOLES PLATED WITH  
0.008 MIN SnPb OR Sn OVER 0.03  
TO 0.08 Cu PLATING TO ACHIEVE  
 $\varnothing 1.02 \pm 0.07$  HOLE.

10 CONNECTOR KEEP-OUT ZONE.

11. THE VOID CORING IN BETWEEN POWER MODULES, SIGNAL MODULES AND END MODULES ARE OPTIONAL AND THE SHAPE MAY BE DIFFERENT FOR OPTIMIZE THE MOLDING PROCESS. THE VOID CORING WILL NOT EFFECT TO PRODUCT FUNCTION.

12. DATUM AND BASIC DIMENIONS ARE ESTABLISHED BY CUSTOMER.



C

Copyright FCI.

D

dr	Ruan MT	2014/10/23	projection 	MM 	size	A4	scale	1:1
eng	De-Ming Lu	2014/11/14			ecn no	-		
chr	-	-			rel level	Released		
appr	Pei-Ming Zheng	2014/11/14	product family	PwrBlade	rev	51940-553	A	
	title	4P + 12S + 3ACP VERTICAL STB RECEPT		dwg no				
www.fci.com	cat. no.	*	Product - Customer Drw		sheet 4 of 4			

2

3