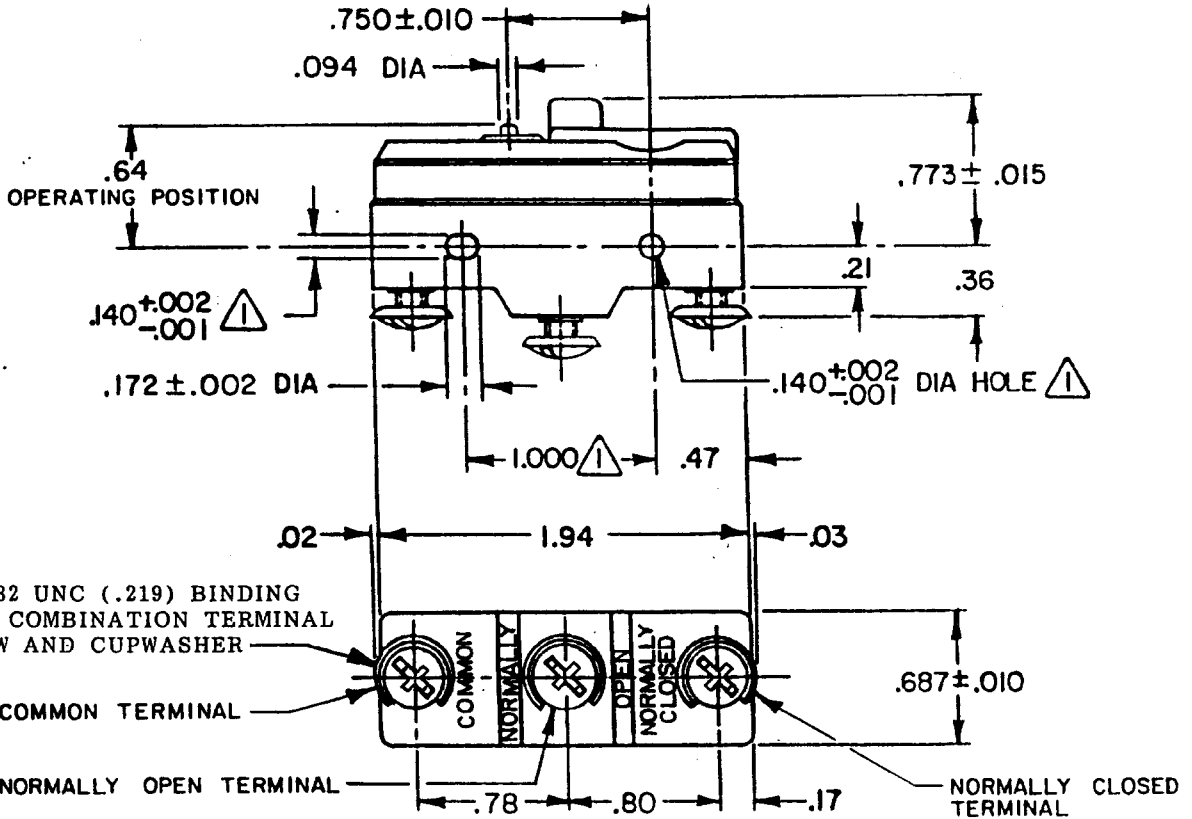
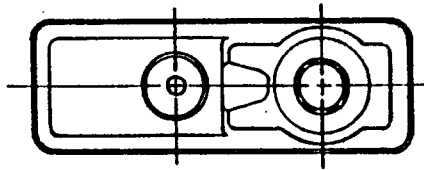


MICRO SWITCH

FREEMONT ILLINOIS, U.S.A.
A DIVISION OF HONEYWELL INC.
FED. MFG. CODE 91929

SWITCH - BASIC

CATALOG LISTING
10BS228

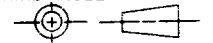


NOTES

- 1 MOUNTING HOLES WILL ACCEPT PINS OR SCREWS OF .139 MAX DIA ON 1.000 ± .002 CENTERS
- 2 - ADJUSTING SCREW BUSHING IS AT SAME ELECTRICAL POTENTIAL AS NORMALLY CLOSED TERMINAL

THIS DRAWING COVERS A PROPRIETARY ITEM AND IS THE PROPERTY OF MICRO SWITCH, A DIVISION OF HONEYWELL. THIS DRAWING IS NOT TO BE COPIED OR USED WITHOUT THE APPROVAL OF MICRO SWITCH.

THIRD ANGLE PROJECTION



CHARACTERISTICS	ELECTRICAL DATA	SCALE FULL	DO NOT SCALE PRINT
OPERATING FORCE ----- 32 OZ MAX	CONTACT ARRANGEMENT S P D T	UNLESS OTHERWISE SPECIFIED TOLERANCES ARE ONE PLACE (.0) ± .030 TWO PLACE (.00) ± .015 THREE PLACE (.000) ± .005 ANGLES ± 10° RAW MATERIAL - COMMERCIAL STANDARD	DIMENSIONS ARE IN INCHES AND ARE TO BE MET BEFORE PROTECTIVE COATINGS ARE APPLIED
RELEASE FORCE ----- 10 OZ MIN	20A 125, <u>250</u> OR 480 VAC 3/4 HP 125 VAC, 1 1/2 HP <u>250</u> VAC		
DIFFERENTIAL TRAVEL ----- .010 MIN	60 / 75° (CU)	MICRO SWITCH STANDARDS APPLY	
OVERTRAVEL ----- .010 MIN		WEIGHT	

M 10BS228
 DRAWING NUMBER
 ISSUE 3
 REVISIONS
 A CO-173267-C
 J A L
 20 OCT 93
 B CO-30988
 J J A
 5 JUN 95
 CHECK 3 SEP 87
 CHECK 3 SEP 87
 DRAWN MAM
 FO-52848-B

REPLACES X84699 - 10BS
 RELEASE NO. PR-15873