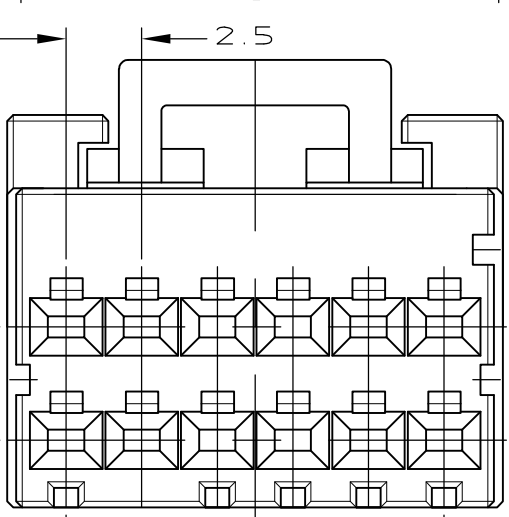
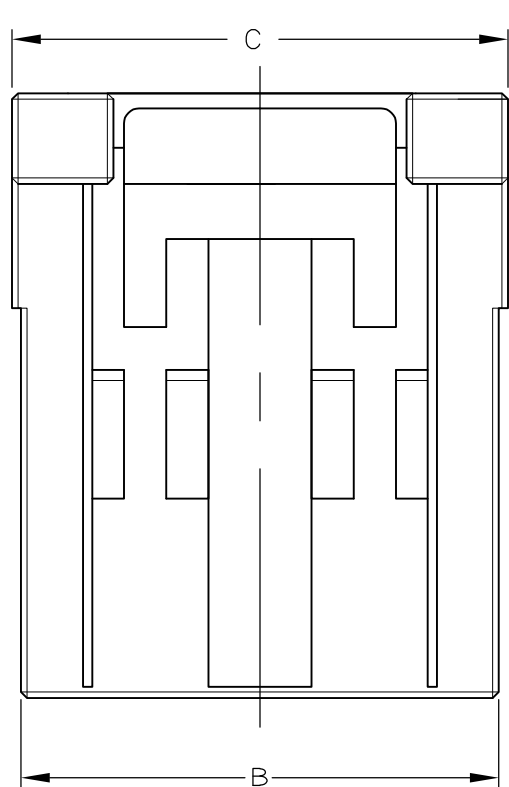
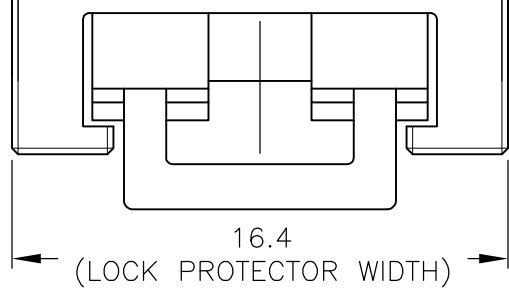
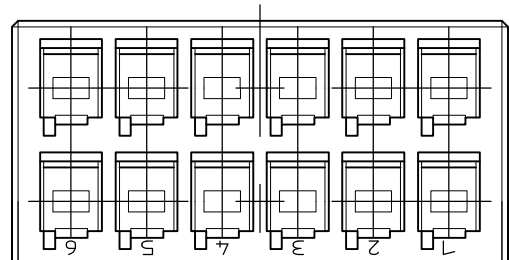


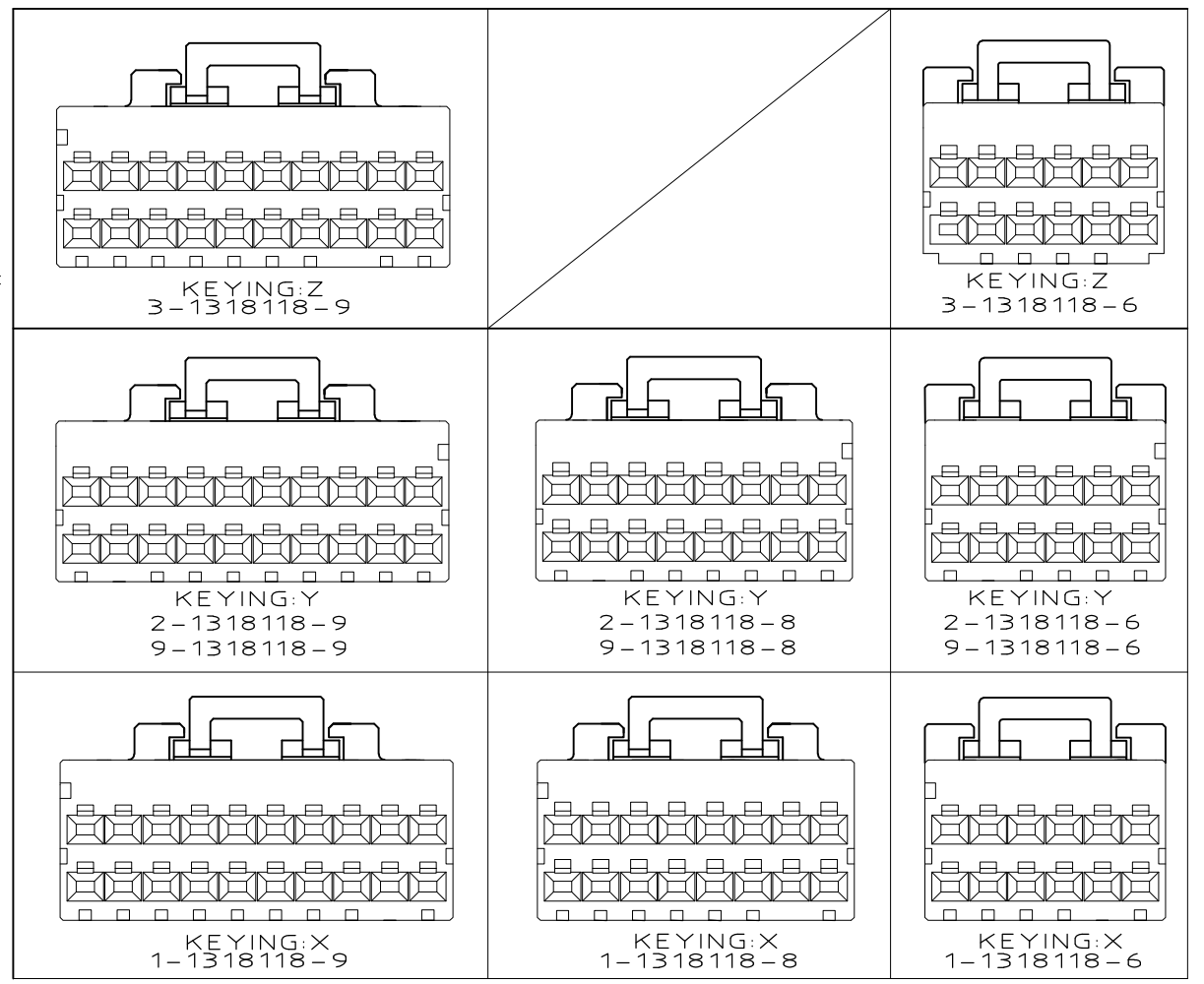
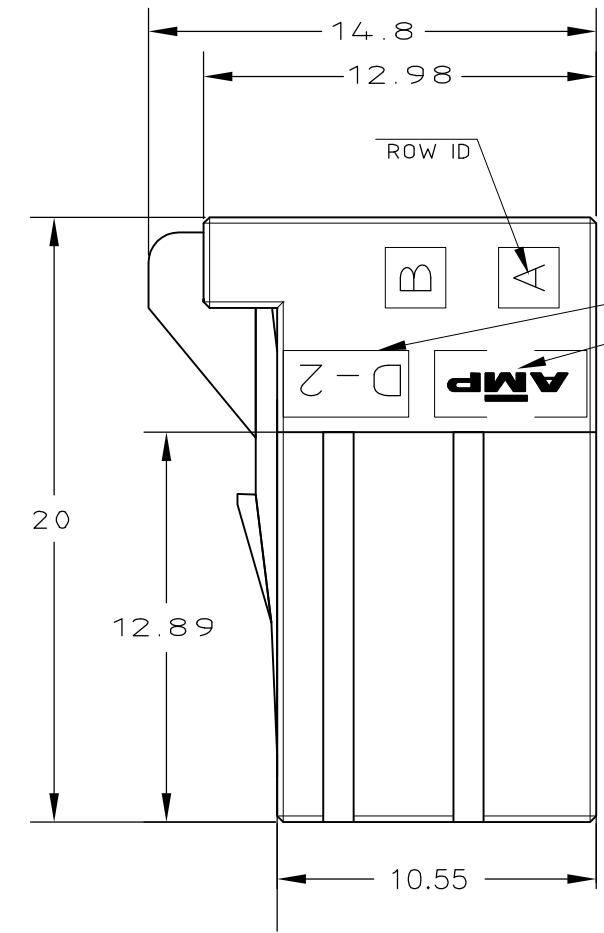
THIS DRAWING IS UNPUBLISHED. RELEASED FOR PUBLICATION  
 © COPYRIGHT - By Tyco Electronics Japan G.K. ALL RIGHTS RESERVED.

LOC	DIST	REVISIONS					
J	-	P	LTR	DESCRIPTION	DATE	DWN	APVD
		H	REVISED		17APR2015	H.O	N.Y



KEY LOCATION VIEW  
 2-1318118-6  
 9-1318118-6  
 (KEYING Y)

NOTES  
 1 MATERIAL:HOUSING:GLASS FILED THERMO PLASTIC ,POLYESTER(94V-0), COLOR:1-/2-/3- : BLACK : 9- : NATURAL  
 2 TO COAT ALL SURFACE OF HOUSING WITH TEFLON  
 3. APPEARANCE CRITERIA IS BASED ON TE CRITERIA.



FINISH	NET WEIGHT(g)	C	B	A	N	POS	PART NUMBER
-	5.58	26.4	25.8	22.5	9	20	3-1318118-9
OBSOLETE	<del>5.58</del>	<del>26.4</del>	<del>25.8</del>	<del>22.5</del>	<del>9</del>	<del>20</del>	<del>5-1318118-9</del>
-	5.58	26.4	25.8	22.5	9	20	9-1318118-9 2-1318118-9
-	5.58	26.4	25.8	22.5	9	20	1-1318118-9
-	4.69	21.4	20.8	17.5	7	16	9-1318118-8 2-1318118-8
OBSOLETE	<del>4.69</del>	<del>21.4</del>	<del>20.8</del>	<del>17.5</del>	<del>7</del>	<del>16</del>	<del>1-1318118-8</del>
-	3.8	16.4	15.8	12.5	5	12	5-1318118-6
-	3.8	16.4	15.8	12.5	5	12	3-1318118-6
-	3.8	16.4	15.8	12.5	5	12	9-1318118-6 2-1318118-6
-	3.8	16.4	15.8	12.5	5	12	1-1318118-6

THIS DRAWING IS A CONTROLLED DOCUMENT.

DWN: K.IKEDA 07DEC1998  
 CHK: N.MATSUBARA 07DEC1998  
 APVD: I.HASEGAWA 07DEC1998

STE TE Connectivity

DOUBLE ROW REC HSG  
 DYNAMIC D-2100D

108-5619  
 APPLICATION SPEC  
 114-5258  
 WEIGHT

SIZE: A3 CAGE CODE: 00779 DRAWING NO: C-1318118 RESTRICTED TO: -

CUSTOMER DRAWING SCALE: 4:1 SHEET: 1 OF 1 REV: H