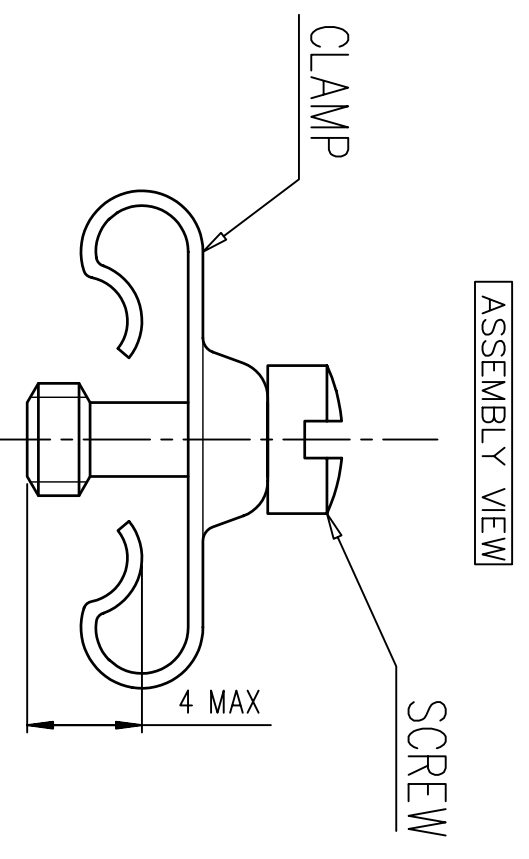
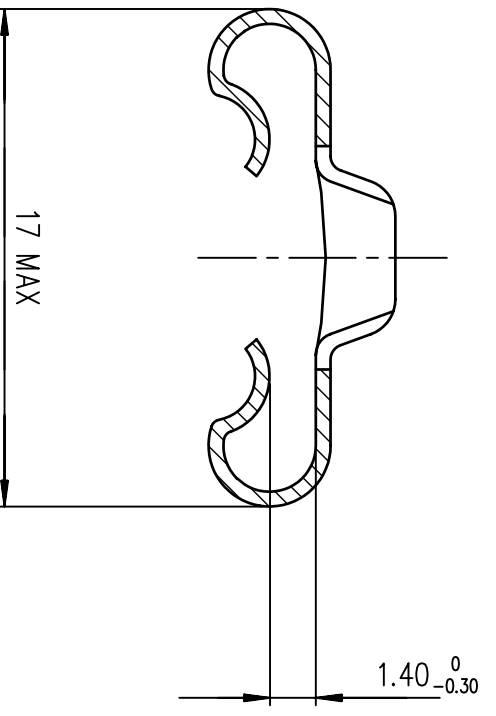
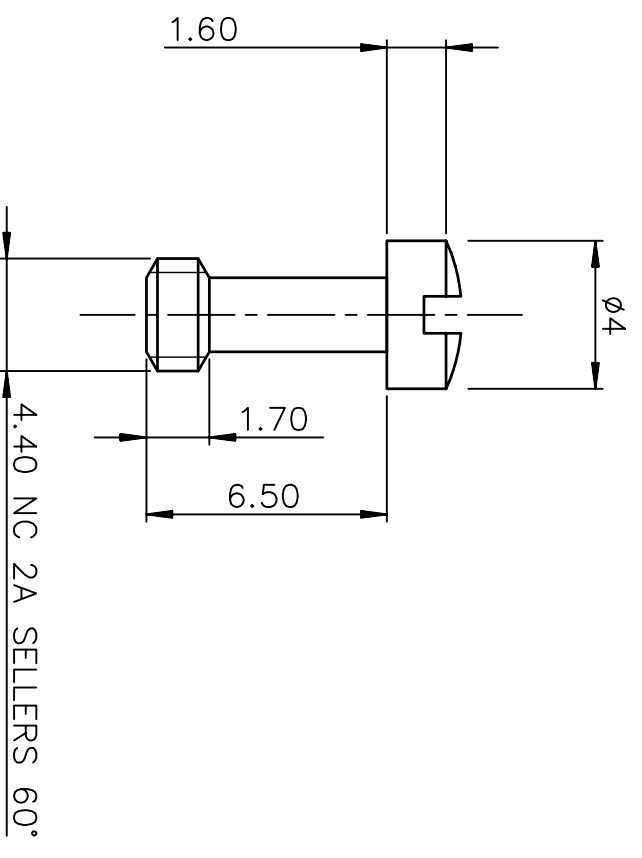


NOTES

Pieces assembly
 Packaging : per 100 pieces
 Material : steel
 Plating : cadmium plating
 Thread : UNC 4.40



Part Number **863015A**

rev	ecn no	dr	date
A	-	SJO	2001/07/25
B	LS06-0101	MPE	2006/06/27
C	LS07-0001	MPE	2007/01/02
D	LS09-0006	PCR	2009/01/08
E	I11-0022	AMR	2011/01/25
F	ELX-H-01683	PK	2012/05/09
G	ELX-H-01686	PK	2012/05/21

www.fciconnect.com		surface	ISO 1302	tolerance std	ISO 406 ISO 1101	projection	mm
Dr	JOUBERT	2001/07/25	ANGULAR	0.X	±0.1	size	A3
Eng	M.PESSON	2001/07/25	LINEAR	0.XX	±0.1	Scale	5
Chr	ABHILASH	2011/01/25	0.XX ±2	0.XXX	±0.1	ECN	ELX-H-011686
Appr	SUDHIR	2011/01/25	Product family		D-SUB	Spec ref	-
FCI		MALE SCREW LOCKS		D SUB ACCESSORIES		Rev. G	
catalog no		SHELL 50		CUSTOMER		sheet 1 of 1	

European Views