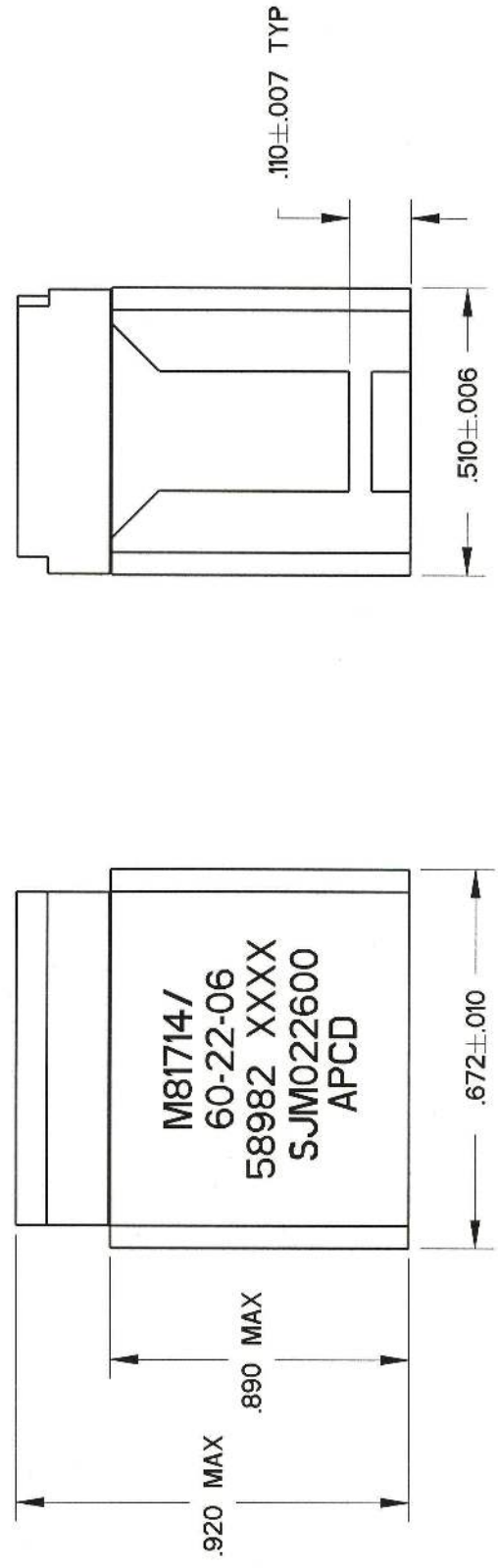
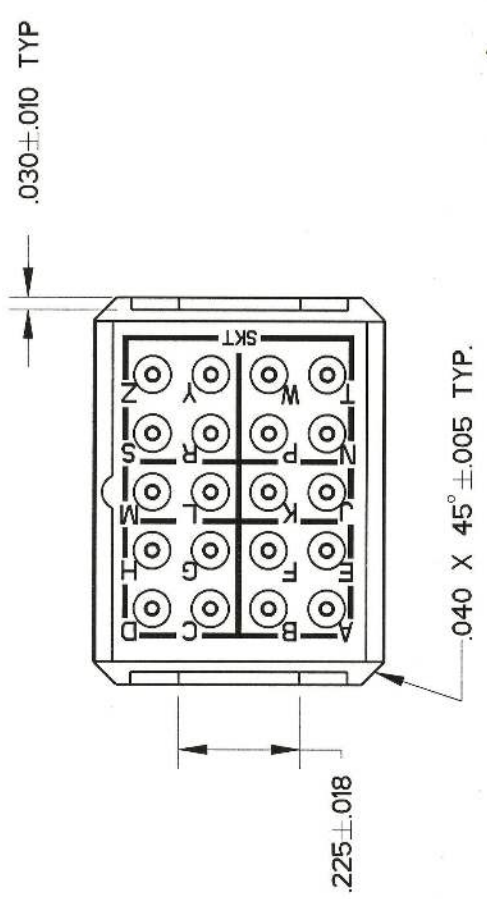
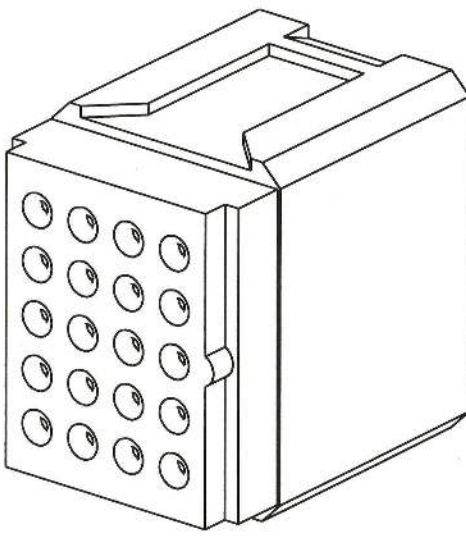


REV	ECN	APP'D
M	5910	RS 7/27/06
N	5979	<i>ST 4/4/06</i>



- NOTES:
1. PART MEETS ALL REQUIREMENTS OF MIL-T-81714/60
  2. MATERIALS:  
 GROMMET - SILICONE RUBBER PER A-A-59588  
 BODY - POLYETHERIMIDE PER ASTM-D-5205  
 INTERNAL CONTACT - BRASS PER ASTM-B16, GOLD PLATED PER SAE-AMS-2422  
 CONTACT RETAINER CLIPS - STAINLESS STEEL PER ASTM-A666
  3. PART ACCEPTS M39029/22-191 SOCKET CONTACTS. SEE TABLE

APCD P/N	SUPPLIED		MARKING	
	SKTS	PLUGS	APCD PART NO.	MIL. NO.
SJM022600	21	2	SJM022600	M81714/60-22-06
SJM022601	-	-	-	-

<b>Amphenol Pcd</b> SPECIFICATION DRAWING DRWN R. SWAINE 9/25/06 ENGR <i>R. Swaine</i> 11/15/06 APCD <i>John T. ...</i> 11/15/06		TITLE <b>SOCKET JUNCTION MODULE</b> SIZE 22, 6-BUS	
DIMENSIONS ANSI Y14.5M UNITS: INCHES Pro/E FILE	TOLERANCES .XX ±0.01 .XXX ±0.005 ANGLES ±2.0°	PROJECTION 	THIS DOCUMENT CONTAINS PROPRIETARY INFORMATION WHICH IS THE CONFIDENTIAL PROPERTY OF AMPHENOL PCD INC., PEABODY, MA
ORIGINAL	SIZE B DWG NO. <b>SJM022600</b>	CODE: 58982 SCALE: 3:1	REV <b>N</b> SHEET 1 OF 1