

Style

M12 Socket
6 pin
A-coding

Ratings

Voltage: 30 V
Current: 2 A

Operating Temperature Range

-40 ~ 105 °C

Materials

- ① Insulator: Polyamide 66 (PA66), UL94 HB, black
- ② Pin: C3604 brass, gold plated
- ③ Shell: C3604 brass, nickel plated
- ④ O-ring: Nitrile rubber, green

Electrical Requirements

Dielectric strength: 1 min @ 500 Vac
Insulation resistance: 100 MΩ @ 500 Vdc
Contact resistance: 10 mΩ or less

Mechanical Requirements

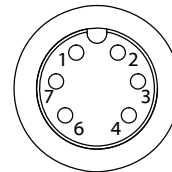
Life cycle: 500 mating cycles minimum

Environmental Requirements

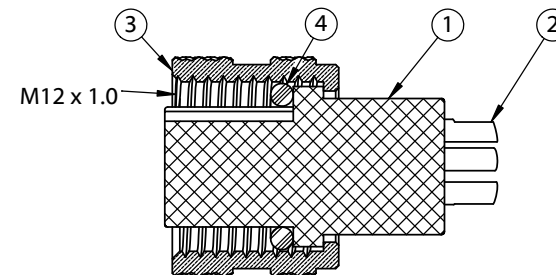
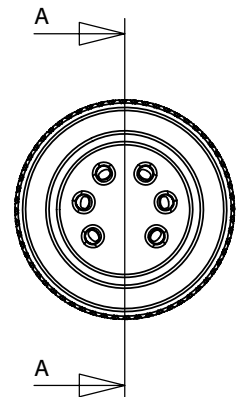
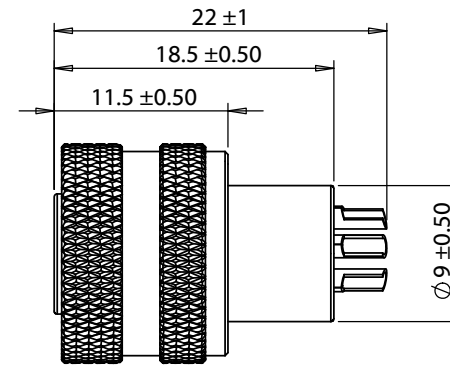
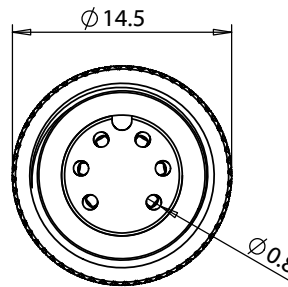
Salt spray test: 35 °C, relative humidity 90-95%, 5% NaCl mist for 48 hrs. Wash parts after test. Maintain mechanical requirements and a contact resistance of less than 10 mΩ.
Waterproof: IP67

Assembly Info

Wire gauge: 24 AWG max



Front View
Not to Scale



SECTION A-A

| | | | | | |
|-----------|----------|-----------------|---|--|---|
| Revision: | Date: | Description: | Prepared: | Notes: | <h1>TENSILITY</h1> tel 1.541.323.3228 800 877.670.7118 fax 1.541.323.4202 web tensility.com |
| A | 8/3/2020 | Initial release | JC <small>Digitally signed by JC Date: 2020.10.23 12:09:37 -07'00'</small> | RoHS compliant | |
| | | | Verified: | Function test: no open, no short circuit, no intermittent | Size: Part number: A 50-00954 |
| | | | AG <small>Digitally signed by AG Date: 2020.10.23 12:18:54 -07'00'</small> | Description: | |
| | | | Dimensions are in millimeters. Tolerances: X: ± 0.3 mm X.X: ± 0.1 mm X.XX: ± 0.05 mm | Connector, 6 pin M12 A-code socket, 12xL22mm, gold plated, molding style, solder cup, IP67 | Scale: 2:1 Sheet 1 of 1 |