

# ZART8LM

Harmony eXLhoist, standard, Remote control, LED, 6 motion push buttons, 2 auxiliary push buttons, MBC (tandem)



## Main

Range of Product	Harmony eXLhoist
Product or Component Type	Hand-held remote control
Device short name	ZART
Control Button Type	6 configurable motion push-button 2 configurable auxiliary push-button

## Complementary

Device application	Slave in multiple bridge control (tandem)
Material	Enclosure PC (polycarbonate) Enclosure PBT (polybutylene terephthalate) Cover PP (polypropylene) Protective cover EPDM rubber
Function Available	Accelerometer function
Display type	4 LEDs
Operating Distance	50 m
Mechanical robustness	Free fall resistance 4.5 m IEC 60068-2-27
Communication network type	Wireless bluetooth low energy
Transmission frequency	2.4 GHz
Maximum sensing distance	328.08 ft (100 m) in free field
Response time	< 300 ms full duplex
Charging time	900 s
Autonomy	30 h
Mechanical durability	5000000 cycles
Service Life	5 year(s)
Width	3.94 in (100 mm)
Height	13.39 in (340 mm)
Depth	3.54 in (90 mm)
Net Weight	1.43 lb(US) (0.65 kg)

## Environment

Radio agreement	RSS FCC ICASA SRRC ARIB ANATEL
IP degree of protection	IP65
NEMA degree of protection	NEMA 4
Ambient Air Temperature for Operation	-4...140 °F (-20...60 °C)
Ambient Air Temperature for Storage	-4...113 °F (-20...45 °C)
Operating altitude	0...6561.68 ft (0...2000 m)
Storage altitude	0.00...9842.52 ft (0...3000 m)

Vibration resistance	0.075 mm 10...55 Hz)IEC 60068-2-6
Shock resistance	100 gn IEC 60068-2-27
Relative humidity	0...95 % -4...140 °F (-20...60 °C) operating
Product Certifications	EAC CSA C-tick UL CE KC JIS

## Ordering and shipping details

Category	22479-EXL HOIST WIRELESS PENDANT & ACC
Discount Schedule	CS2
GTIN	3606481138309
Nbr. of units in pkg.	1
Package weight(Lbs)	25.15 oz (713.0 g)
Returnability	No

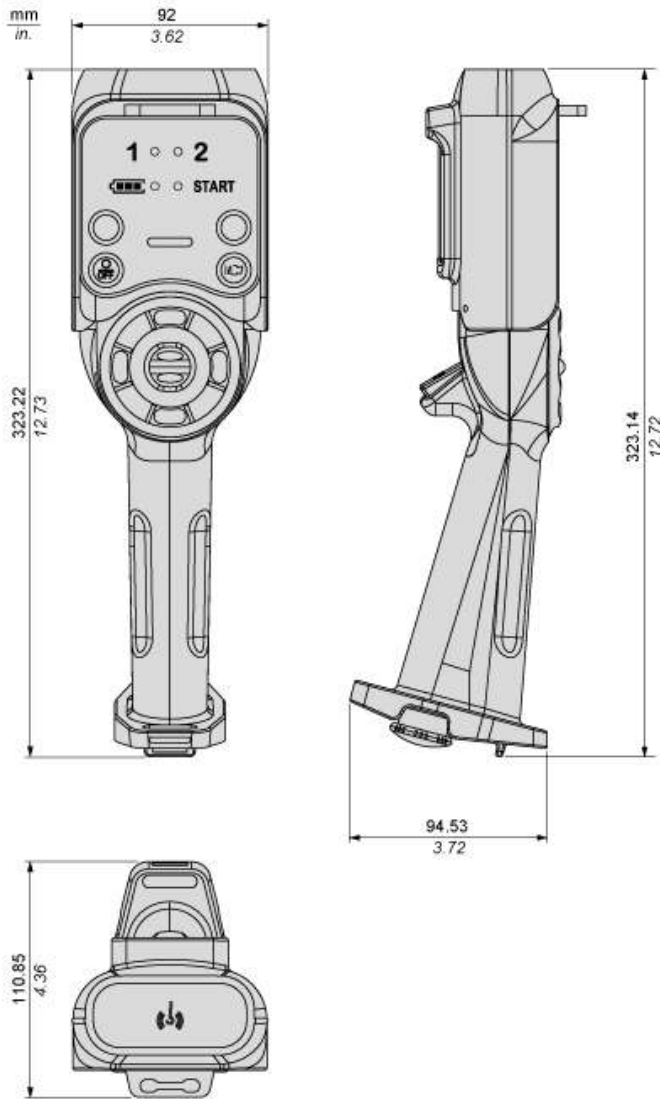
## Packing Units

Unit Type of Package 1	PCE
Package 1 Height	4.21 in (10.7 cm)
Package 1 width	4.02 in (10.2 cm)
Package 1 Length	13.23 in (33.6 cm)
Unit Type of Package 2	CAR
Number of Units in Package 2	1
Package 2 Weight	25.82 oz (732.0 g)
Package 2 Height	4.21 in (10.7 cm)
Package 2 width	4.02 in (10.2 cm)
Package 2 Length	13.27 in (33.7 cm)
Unit Type of Package 3	S03
Number of Units in Package 3	4
Package 3 Weight	8.03 lb(US) (3.641 kg)
Package 3 Height	11.81 in (30 cm)
Package 3 width	11.81 in (30 cm)
Package 3 Length	15.75 in (40 cm)

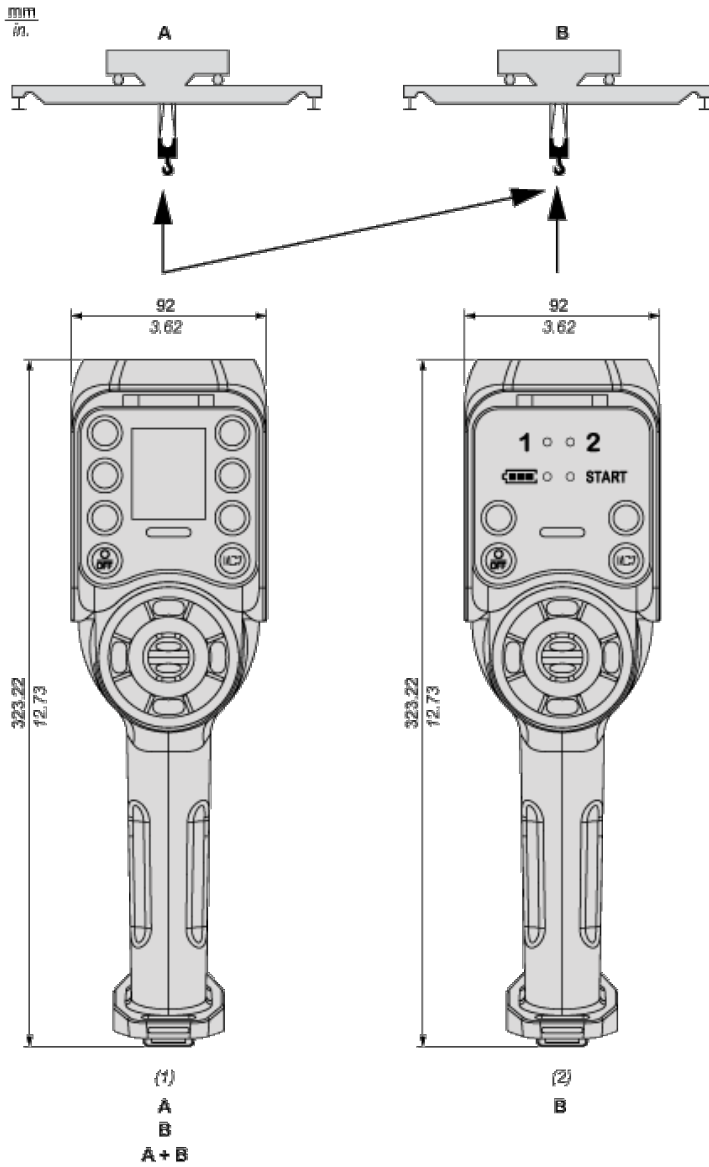
## Offer Sustainability

California proposition 65	WARNING: This product can expose you to chemicals including: Nickel compounds, which is known to the State of California to cause cancer, and Di-isodecyl phthalate (DIDP), which is known to the State of California to cause birth defects or other reproductive harm. For more information go to <a href="http://www.P65Warnings.ca.gov">www.P65Warnings.ca.gov</a>
EU RoHS Directive	Pro-active compliance (Product out of EU RoHS legal scope)  <a href="#">EU RoHS Declaration</a>
Mercury free	Yes
RoHS exemption information	 Yes
China RoHS Regulation	 <a href="#">China RoHS Declaration</a>
WEEE	The product must be disposed on European Union markets following specific waste collection and never end up in rubbish bins.

## Dimensions



## Multiple Bridge Control



- A : Bridge 1
- B : Bridge 2
- (1) Master
- (2) Slave