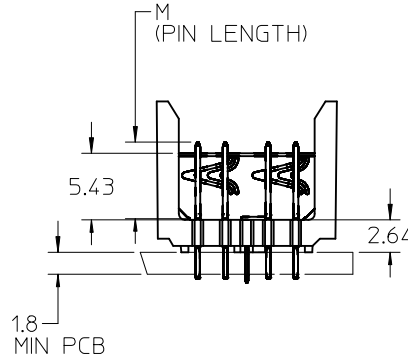
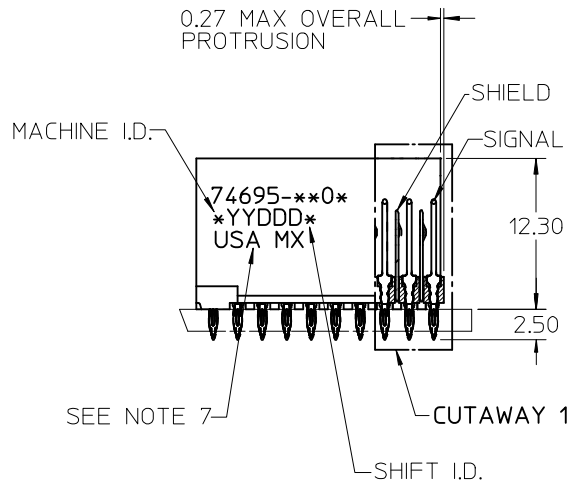


$\phi 0.66$  DRILL  
 $\phi 0.56 \pm 0.05$  PTH  
 $\phi 1.00$  PAD  
 $\phi 0.10$

**BACKPLANE HOLE PATTERN  
RECOMMENDED DIMENSION**

**NOTES:**

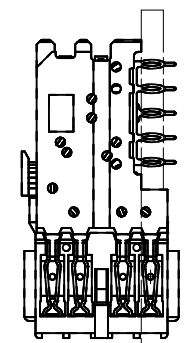
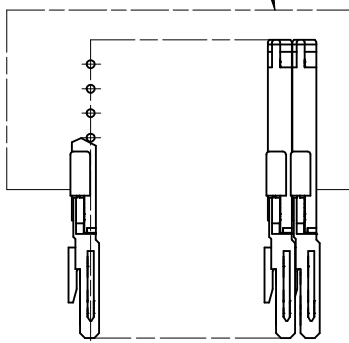
- MATERIAL: HOUSING -LIQUID CRYSTAL POLYMER (LCP).  
GLASS-FILLED. UL94 V-0. COLOR: BLACK.  
SIGNAL & SHIELD -COPPER ALLOY.
- FINISHES: SELECTIVE GOLD (Au) ON CONTACT AREA, SELECTIVE TIN/LEAD (Sn/Pb) OR SELECTIVE MATTE TIN (Sn) ON TAILS, NICKEL (Ni) OVERALL.
- THIS PART CONFORMS TO MOLEX PRODUCT SPECIFICATION PS-74031-999.
- FOR MIXED CONTACT MATING LENGTHS CONSULT MOLEX FOR AVAILABILITY.
- FOR SPECIFIC PART NUMBER AND MATING INFORMATION REFER TO SHEET 2.
- PACKAGE PER PK-74695-003.
- EITHER MARK PART NUMBER AND DATE CODE APPROXIMATELY WHERE SHOWN OR PLACE LABEL ON THE TUBE.
- THIS PART CONFORMS TO CLASS B REQUIREMENTS OF MOLEX COSMETIC SPECIFICATION PS-45499-002.



<b>ADD LEAD-FREE PNs</b> EC NO: UCP2012-1674 DRAWN: MWLFE 2011/11/22 CHKD: SDANNELLEY 2011/11/22 APPR: SMILLER 2011/12/02	DESCRIPTION REV	QUALITY SYMBOLS	GENERAL TOLERANCES (UNLESS SPECIFIED)	DIMENSION STYLE	SCALE	DESIGN UNITS	THIRD ANGLE PROJECTION
		$\nabla F=0$ $\nabla E=0$ $\nabla F=0$	mm INCH 4 PLACES $\pm$ --- $\pm$ --- 3 PLACES $\pm$ --- $\pm$ --- 2 PLACES $\pm$ --- $\pm$ --- 1 PLACE $\pm$ --- $\pm$ --- ANGULAR $\pm 1/2^\circ$	MM ONLY	2.5:1	METRIC	
		DRAWN BY: MOWANG CHECKED BY: NMARTIN APPROVED BY: CBIXLER	DATE: 2001/10/04 DATE: 2001/10/05 DATE: 2001/10/08	TITLE	HSD SALES ASSEMBLY 5 ROW ADVANCED MATE OPEN END BACKPLANE		MOLEX INCORPORATED
		MATERIAL NO. DRAFT WHERE APPLICABLE MUST REMAIN WITHIN DIMENSIONS	SEE TABLE	DOCUMENT NO. SD-74695-003	SHEET NO. 1 OF 2		

PART NUMBER	COLUMN	NUMBER OF SIGNALS	NUMBER OF SHIELDS	A	B	M	Au (um) THICKNESS	Sn (um) THICKNESS
74695-*101	10	40	10	20.00	18.00	4.75	0.76	0.76-152
74695-*106							1.27	
74695-*601	25	100	25	50.00	48.00		0.76	
74695-*606							1.27	
74695-*102	10	40	10	20.00	18.00	6.25	0.76	
74695-*107							1.27	
74695-*602	25	100	25	50.00	48.00		0.76	
74695-*607							1.27	
74695-*103	10	40	10	20.00	18.00	4.25	0.76	
74695-*108							1.27	
74695-*603	25	100	25	50.00	48.00		0.76	
74695-*608							1.27	
74695-*104	10	40	10	20.00	18.00	5.15	0.76	
74695-*109							1.27	
74695-*604	25	100	25	50.00	48.00		0.76	
74695-*609							1.27	

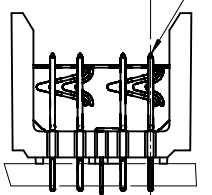
DAUGHTERCARD CONNECTOR SIDE



0.41 SIGNAL TO SIGNAL

0.75 TOP DAUGHTERCARD PCB TO CENTER OF ROW A

ROW A



74695-\* \* 0 \*

NUMBER OF COLUMNS/PLATING  
 11 = 10 COLUMN TIN/LEAD  
 26 = 25 COLUMN TIN/LEAD  
 91 = 10 COLUMN MATTE TIN  
 86 = 25 COLUMN MATTE TIN

CONTACT LOAD (PIN LENGTH)  
 1 & 6 = 4.75  
 2 & 7 = 6.25  
 3 & 8 = 4.25  
 4 & 9 = 5.15

ADD LEAD-FREE P/Ns EC NO: UCP2012-1674 DRW:MMOLFE 2011/11/22 CHKD:SDANNELLEY 2011/11/22 APPR:SMILLER 2011/12/02	QUALITY SYMBOLS	GENERAL TOLERANCES (UNLESS SPECIFIED)	DIMENSION STYLE MM ONLY	SCALE 2.5:1	DESIGN UNITS METRIC	THIRD ANGLE PROJECTION
	▽/0	mm INCH	DRAWN BY DATE MOWANG 2001/10/04	TITLE HSD SALES ASSEMBLY 5 ROW ADVANCED MATE OPEN END BACKPLANE	MOLEX INCORPORATED	SHEET NO. 2 OF 2
	▽/0	4 PLACES ± --- ± --- 3 PLACES ± --- ± --- 2 PLACES ± --- ± --- 1 PLACE ± --- ± ---	CHECKED BY DATE NMARTIN 2001/10/05	DOCUMENT NO. SD-74695-003		
	▽/0	ANGULAR ±1/2°	APPROVED BY DATE CBIXLER 2001/10/08	MATERIAL NO.		SEE TABLE
REV	DESCRIPTION	DRAFT WHERE APPLICABLE MUST REMAIN WITHIN DIMENSIONS	SIZE B	THIS DRAWING CONTAINS INFORMATION THAT IS PROPRIETARY TO MOLEX INCORPORATED AND SHOULD NOT BE USED WITHOUT WRITTEN PERMISSION		