
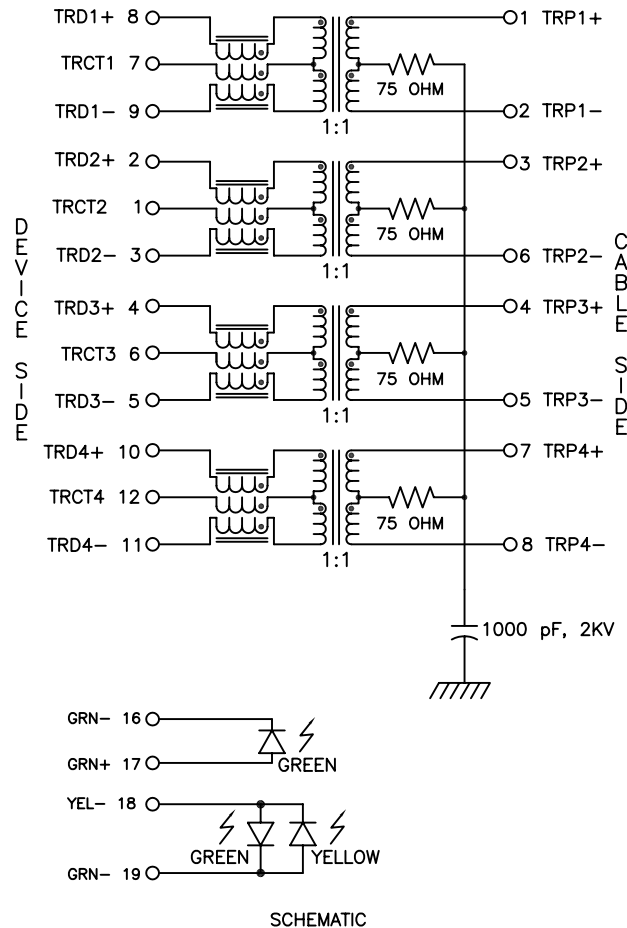


NOTES: UNLESS OTHERWISE SPECIFIED

1.

| | |
|--|---|
| NOTICE: | THIS IS A RoHS AND HALOGEN FREE COMPLIANT COMPONENT/PRODUCT. ALL ENGINEERING CHANGES MUST HAVE PRIOR APPROVAL BY THE DESIGN CENTER. |
| RoHS+HF  | |
2. PLASTIC HOUSING: THERMOPLASTIC MATERIAL WITH FLAMMABILITY RATING UL 94V-0 OR BETTER.
3. CONTACT BASE MATERIAL: PHOSPHOR BRONZE.
4. CONTACTS UNDERPLATE: 50 MICROINCHES DUCTILE NICKEL.
5. CONTACTS PLATING: 50 MICROINCHES GOLD PLATING.
6. SOLDER TAIL PLATING MATERIAL: 200-500 MICROINCHES 100% TIN, MATTE FINISH.
7. METAL SHIELD: NICKEL PLATING ON COPPER ALLOY.
8. JACK CAVITY CONFORMS TO FCC RULES AND REGULATIONS PART 68 SUBPART F.
9. PCB PLATING: EG
10. SOLDERABILITY: CONFORMS TO ANSI/J-STD-002, IPC/EIA J-STD-003A.
11. OPERATING TEMPERATURE: 0°C TO +70°C
12. STORAGE TEMPERATURE: -20°C TO +125°C
13. JEDEC MOISTURE: LEVEL 1.
14. DIMENSIONS ARE IN MILLIMETERS [INCHES] WITH THE FOLLOWING TOLERANCES: [INCHES] ARE FOR REFERENCE ONLY.
X.X = ±0.5 [±.02]
X.XX = ±0.25 [±.010]
15. REVISION: MX1, MX2, ARE PRELIMINARY.



ELECTRICAL CHARACTERISTICS AT +25°C UNLESS OTHERWISE SPECIFIED (FOR REFERENCE ONLY. USED FOR CUSTOMER INFORMATION.)

| PARAMETER | SPECIFICATION | |
|--|---|--|
| OPERATING TEMP | 0°C - 70°C | |
| TURNS RATIO | 1 : 1 ± 2% | |
| POLARITY | PER SCHEMATIC | |
| INSERTION LOSS | 100 KHz | 1-125 MHz |
| | -1.2 dB MAX | -0.2-0.002*f ^{1.4} dB MAX |
| RETURN LOSS (Z OUT=100 OHM ±15%) | .1-40 MHz | 40-100 MHz |
| | -16 dB MIN | -10+20*LOG ₁₀ (f/80 MHz) dB MIN |
| INDUCTANCE (OCL) (MEDIA SIDE, 0°C-70°C) | 350 uH MIN (MEASURED AT 100 KHz, 100 mVRMS AND WITH 8 mA DC BIAS) | |
| | 1 MHz | 10-100 MHz |
| CROSSTALK, ADJACENT CHANNELS | -50 dB MIN | -55+22*LOG ₁₀ (f/10) dB MIN |
| | 2 MHz | 30-200 MHz |
| COMMON MODE REJECTION RATIO | -50 dB MIN | -20+20*LOG ₁₀ (f/200) dB MIN |
| | .65 OHMS MAX | |
| DC RESISTANCE, 1/2 WINDING | ±.065 OHMS MAX (CENTER TAP SYMMETRY) | |
| INPUT - OUTPUT ISOLATION | 2250 VDC FOR 60 SECONDS | |

NOTE: f IS FREQUENCY IN MHZ.

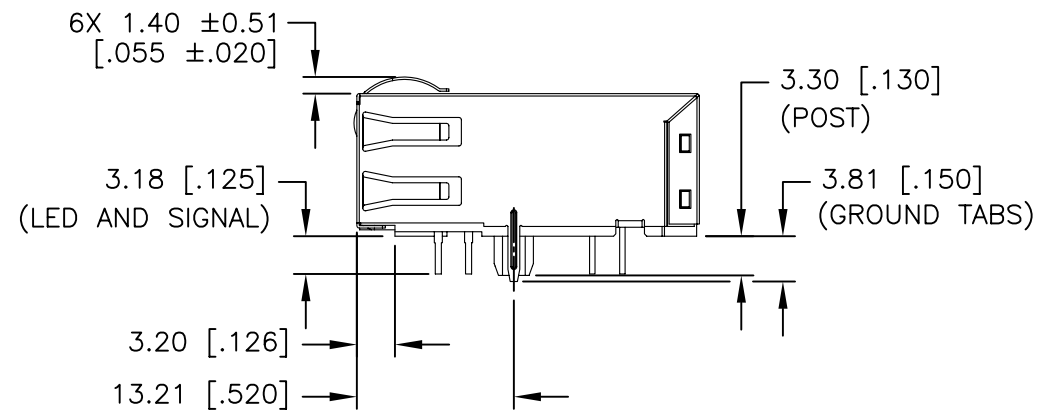
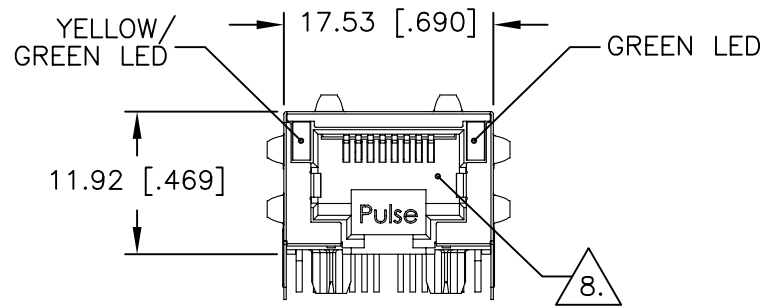
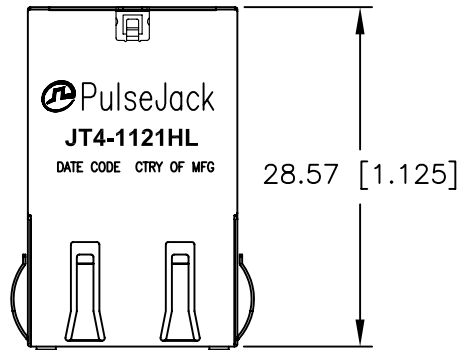
| EMMITTED COLOR | GREEN | YELLOW |
|----------------------------|------------|------------|
| WAVELENGTH (nm) | 565 | 588 |
| POWER DISSIPATION (Pd) | 105 mW MAX | 100 mW MAX |
| DC FORWARD CURRENT | 25 mA MAX | 30 mA MAX |
| FORWARD VOLTAGE (VF) @20mA | 2.2 V TYP | 2.1 V TYP |

BICOLOR

NOTE: PER VENDOR'S SPECIFICATION

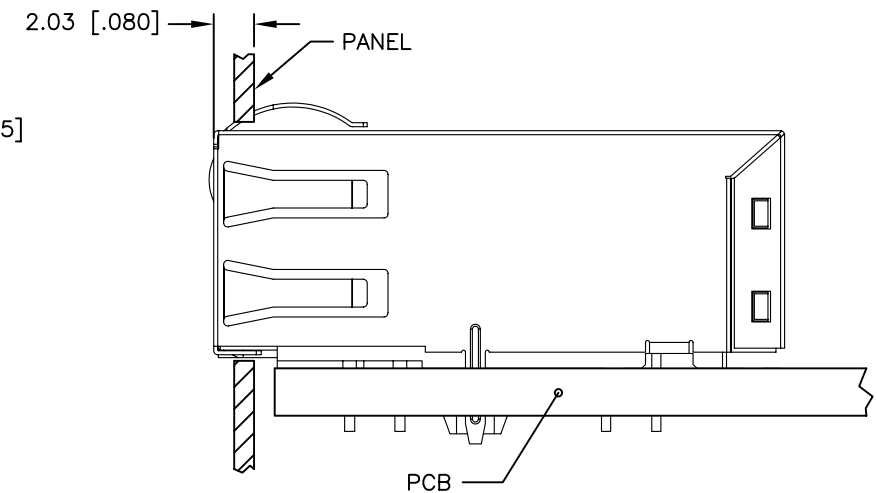
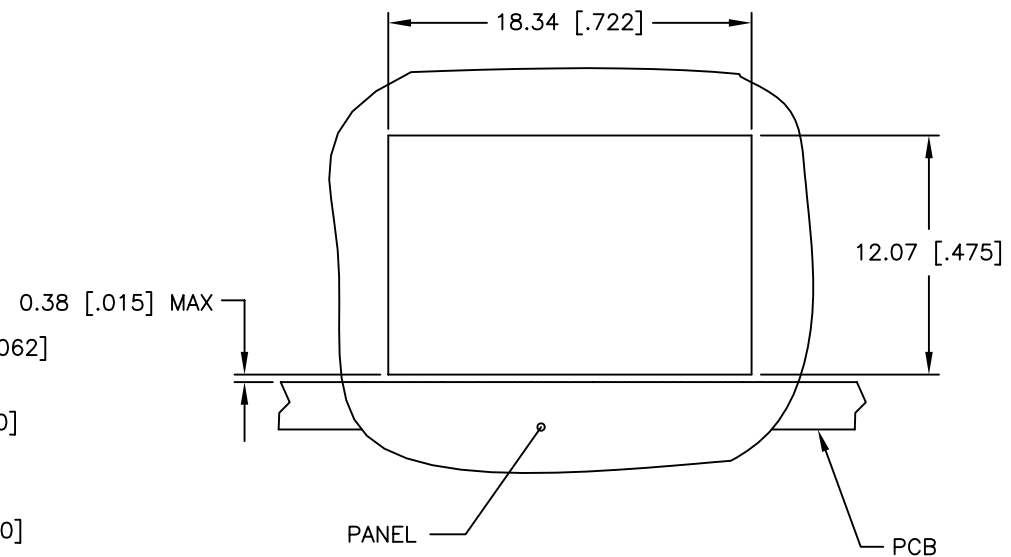
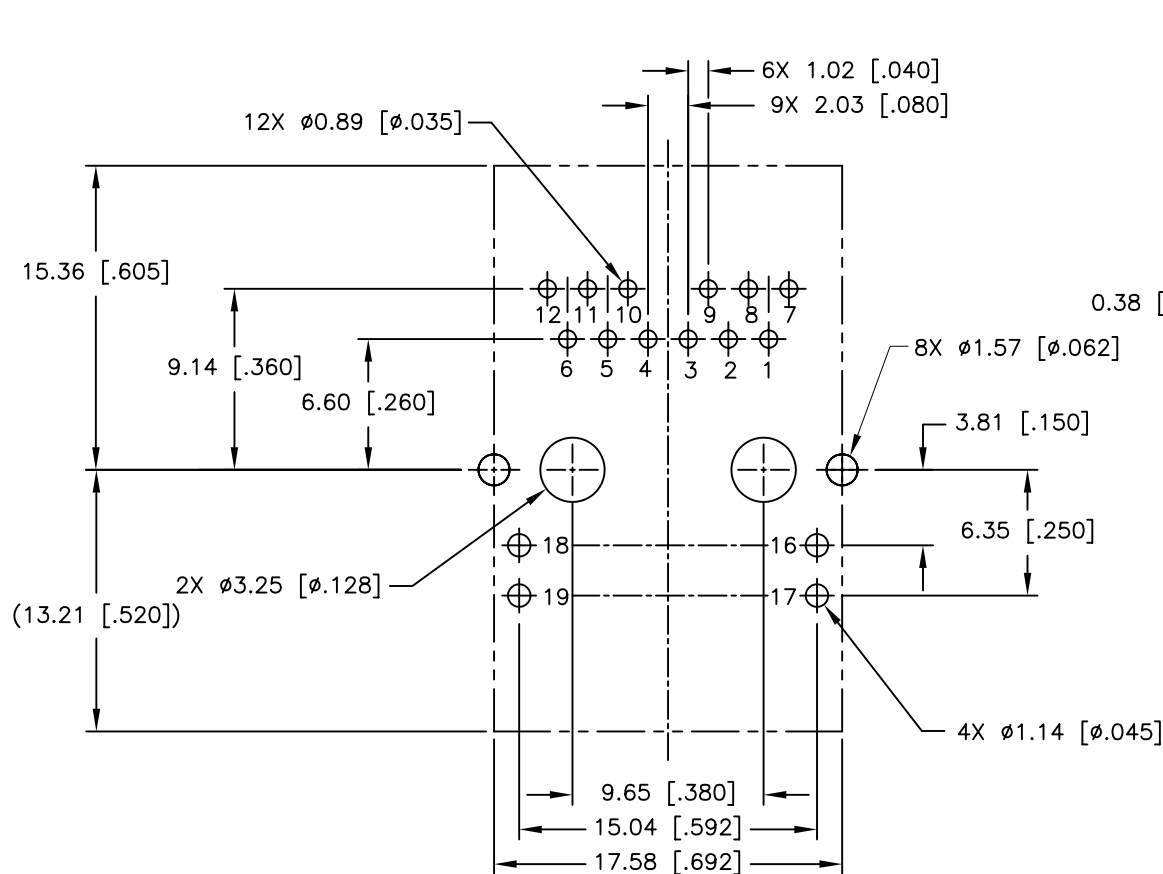
© Copyright, 2011. Pulse Electronics Corp. All rights reserved. Drawing specifications subject to change without notice. (04/07/11)

| PULSE CONFIDENTIAL & PROPRIETARY | PRODUCT DESCRIPTION | PS DRAWING | SHEET: | DWG. NO./ PART NO. | REV. |
|--|---------------------|--------------------------|---------------|--------------------|------------|
| | | CONN,RJ45,1X1,1GD,1:1,TY | PS-2615.001-A | 1 | JT4-1121HL |



© Copyright, 2011. Pulse Electronics Corp. All rights reserved. Drawing specifications subject to change without notice. (04/07/11)

| | | | | | |
|--|--------------------------|---------------|--------|--------------------|------|
| PULSE CONFIDENTIAL & PROPRIETARY | PRODUCT DESCRIPTION | PS DRAWING | SHEET: | DWG. NO./ PART NO. | REV. |
| | CONN,RJ45,1X1,1GD,1:1,TY | PS-2615.001-A | 2 | JT4-1121HL | MP1 |



SUGGESTED FOOTPRINT (COMPONENT SIDE SHOWN)

ALL DIMENSION ARE SHOWN IN MILLIMETERS.
 DIMENSIONS SHOWN IN BRACKETS ARE
 INCHES. UNLESS OTHERWISE SPECIFIED,
 THE FOLLOWING TOLERANCES APPLY:

X.XX [.XXX] = ± 0.08 [± 0.003]

SUGGESTED PANEL CUTOUT

© Copyright, 2011. Pulse Electronics Corp. All rights reserved. Drawing specifications subject to change without notice. (04/07/11)

| | | | | | |
|--|--------------------------|---------------|--------|--------------------|------|
| PULSE CONFIDENTIAL & PROPRIETARY | PRODUCT DESCRIPTION | PS DRAWING | SHEET: | DWG. NO./ PART NO. | REV. |
| | CONN,RJ45,1X1,1GD,1:1,TY | PS-2615.001-A | 3 | JT4-1121HL | MP1 |