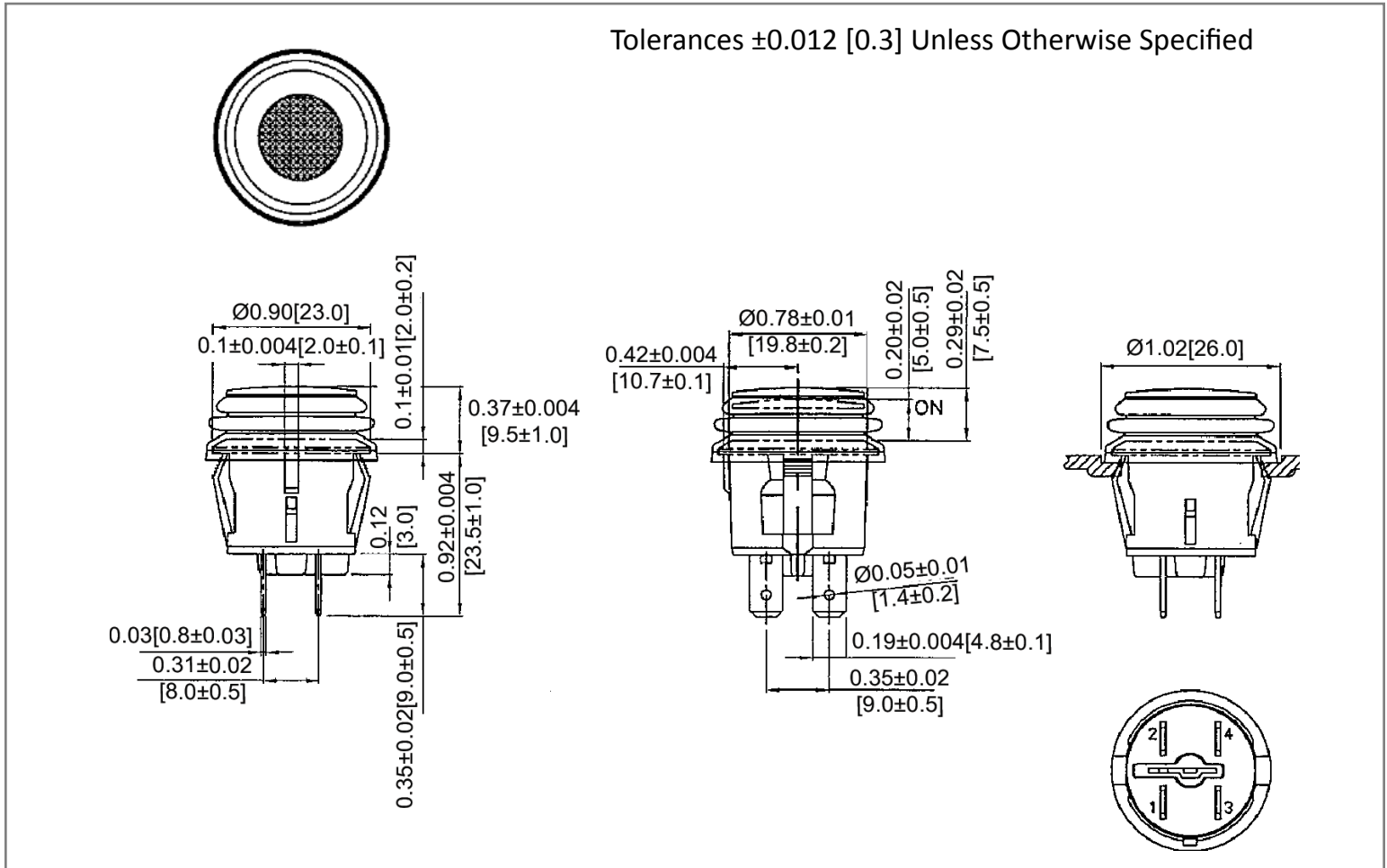
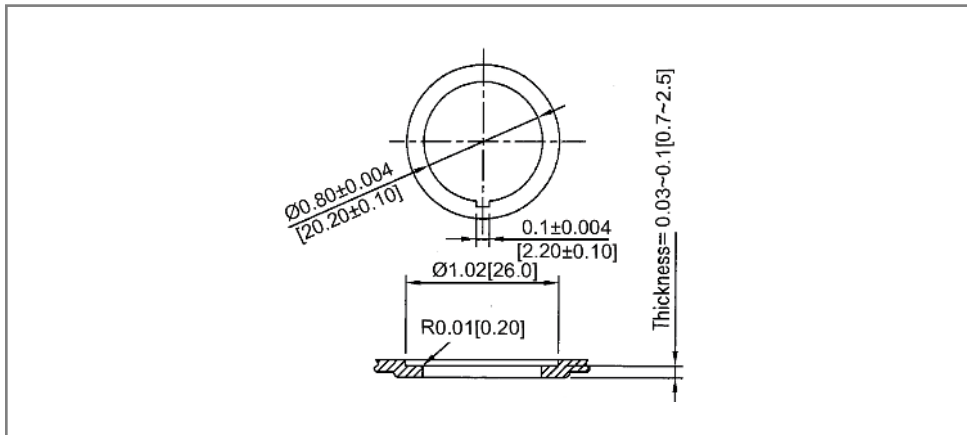


Mechanical Dimensions: Inches [mm]

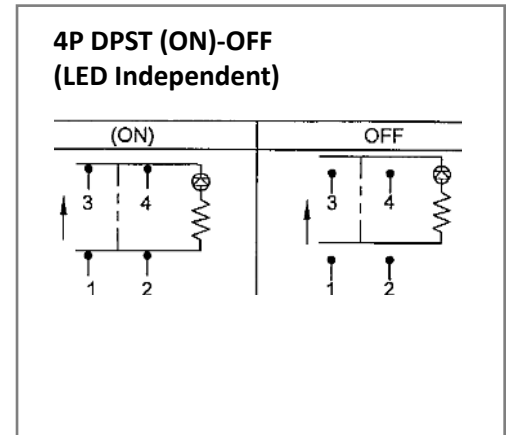
Tolerances ± 0.012 [0.3] Unless Otherwise Specified



Mounting Hole



Circuit Diagram



Electrical Specifications

Rating	20A 14V DC
Contact Resistance	50m ohm Max.
Insulation Resistance	DC 500V 100M ohm Min
Dielectric Strength	AC 1500V 1 minute
Operation Temperature	-25°C ~ 85°C

Material Specifications

Frame	Black, Nylon 66 (94-V2)
Actuator	Red
Terminals	Silver Plated, Copper Alloy
Waterproof Rubber	Black, Silicone
LED	Red

Rev	Date of issue	Revision Notes	Designed	Approved
A	05-18-2021	Initial Drawing	RC	OF