

4

3

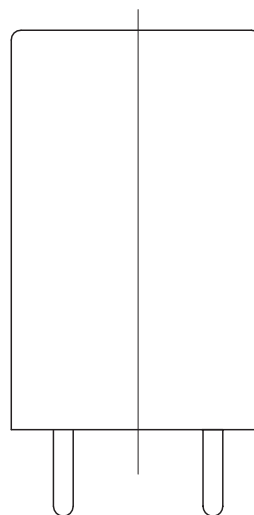
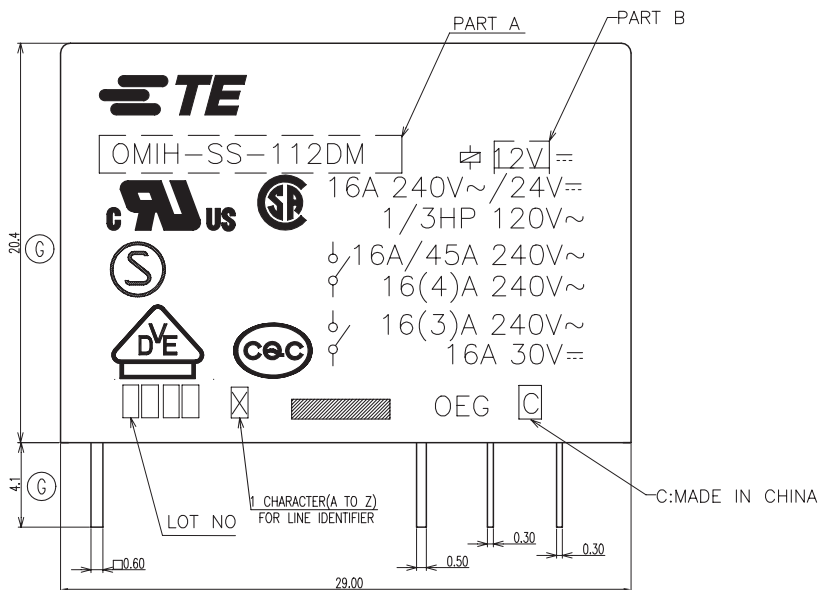
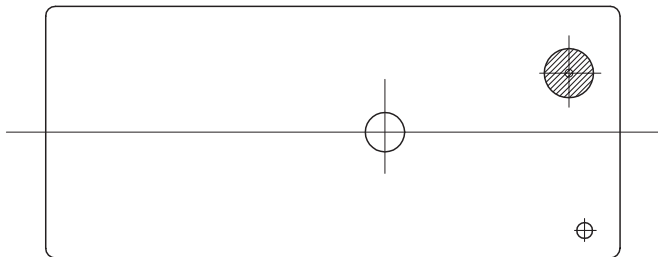
2

1

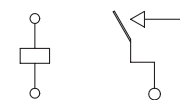
© - TE Connectivity. All Rights Reserved.

REVISIONS

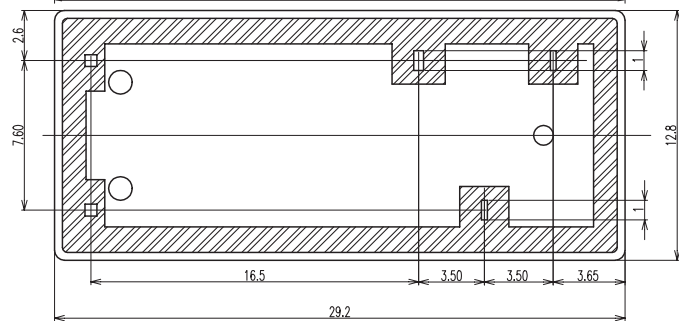
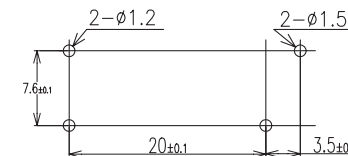
P	LTR	DESCRIPTION	DATE	DWN	APVD
G		BASE MATERIAL CHANGE TO PBT, DIMENSION CHANGE ECN-21-117512	08-SEP-21	X.R.L	K.T



CONNECTION DIAGRAM (BOTTOM VIEW)



DRILLING DIAGRAM(2/1) (BOTTOM VIEW)



THIS DRAWING IS A CONTROLLED DOCUMENT.		DWN Y.Xiao	TE Connectivity		
DIMENSIONS: mm		CHK N.Funayama	NAME		
TOLERANCES UNLESS OTHERWISE SPECIFIED:		APVD CH.HSU	OMIH(1T) D/L CUSTOMER DRAWING		
0 PLC ± 1 PLC ± 2 PLC ± 3 PLC ± 4 PLC ± ANGLES ± FINISH		PRODUCT SPEC —	SIZE A3	CAGE CODE 00779	DRAWING NO C=5-1419121-9
MATERIAL		APPLICATION SPEC —	RESTRICTED TO —	SCALE 1:1 SHEET 1 OF 2 REV G	
CUSTOMER DRAWING					