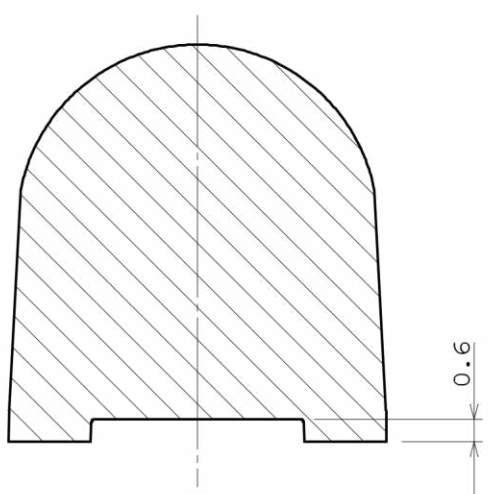
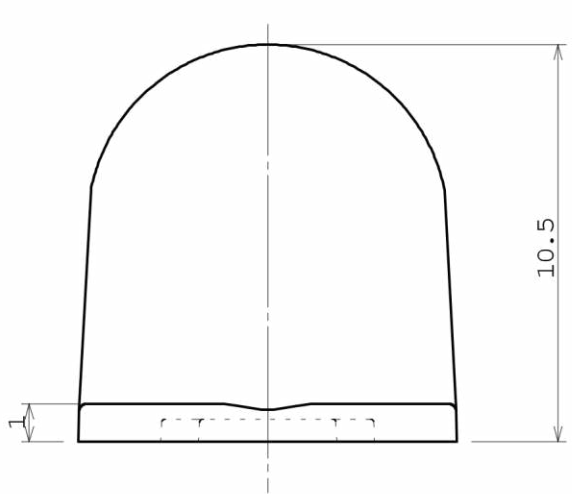
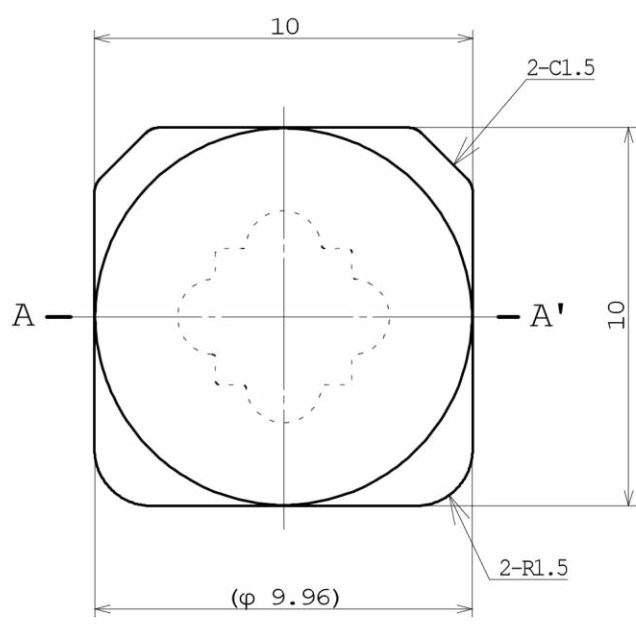
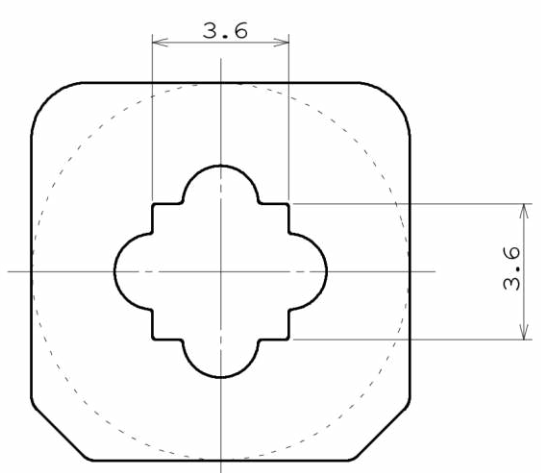


○ SPECIFICATIONS <仕様図> REFERENCE <参考図>	SURFACE TREATMENT <表面処理>	SYM	DATE	REVISION	REVR	APPR
	HEAT TREATMENT <熱処理>	1*				
	FINISH <仕上げ>	2* 3*				



A-A'断面  
A-A' Section



NOTE)

・一般寸法公差：下記C公差を適用

General dimensional tolerance: Range C

TOLERANCE UNLESS SPECIFIED				ORIGINAL DATE 2021/07/07		MATERIAL (COMPOUND) Silicone rubber		TITLE DK-12M-233					
RANGE				SCALE 5:1		COLOR Clear		DRAWING NO. 21070706E					
LESS THAN 6	±0.2	±0.1	±0.1	UNIT mm		HARDNESS A80		DESIGN		APPROVED			
OVER 6 TO 20	±0.3	±0.2	±0.1	SIZE A4		3RD ANGLE SYSTEM		DRAWN		APPROVED			
OVER 20 TO 50	±0.5	±0.3	±0.2					CHECKED		APPROVED			
OVER 50 TO 100	±1.0	±0.5	±0.3					T.Motoyanagi		S.Endo		E.Ishiguro	
OVER 100 TO 300	±2.0	±1.0	±0.5					T.Motoyanagi		S.Endo		E.Ishiguro	
OVER 300 TO 500	±5.0	±2.5	±1.0	株式会社朝日ラバー									
ANGLE	±2°												



# ◆ASA COLOR LENS

Part number : DK-12M-233 / DK-22M-233

## Initial Properties

### 1. Physical Properties

Items	Materials : ASR-A80MC
Color	Transparent
Hardness JIS Type A	A80/S±5
Total light transmittance(t=2mm)	90% and more
Refractive index (25°C) (D-line 589 nm)	1.41±0.03

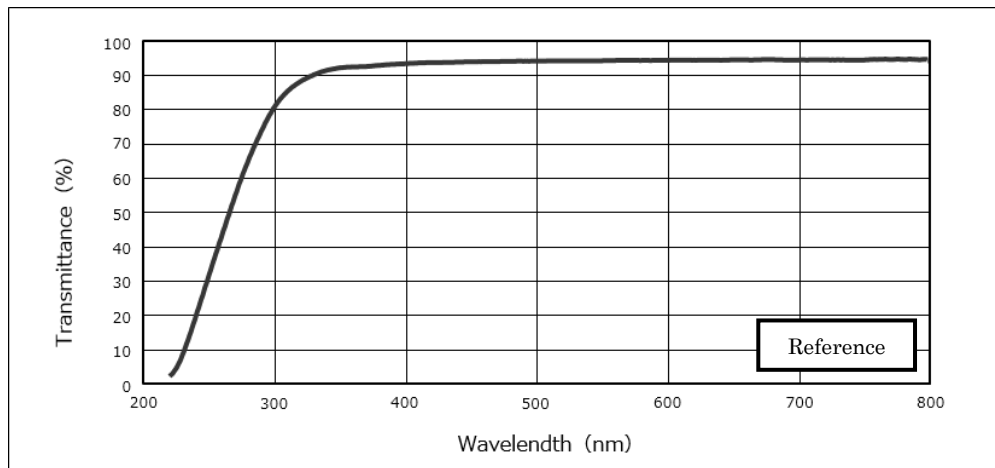


Figure1. Total light transmittance of ASR-A80MC (t=2mm)

### 2. Light Distribution Data

