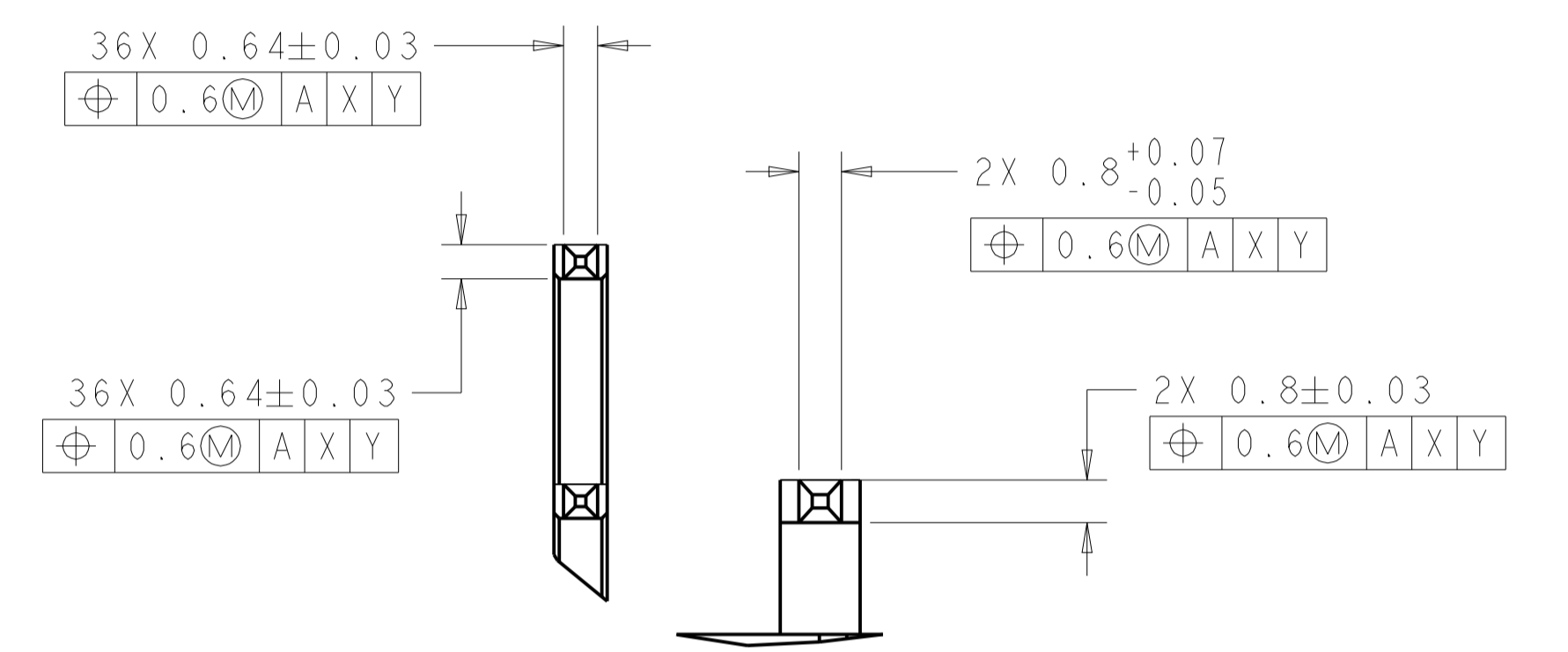
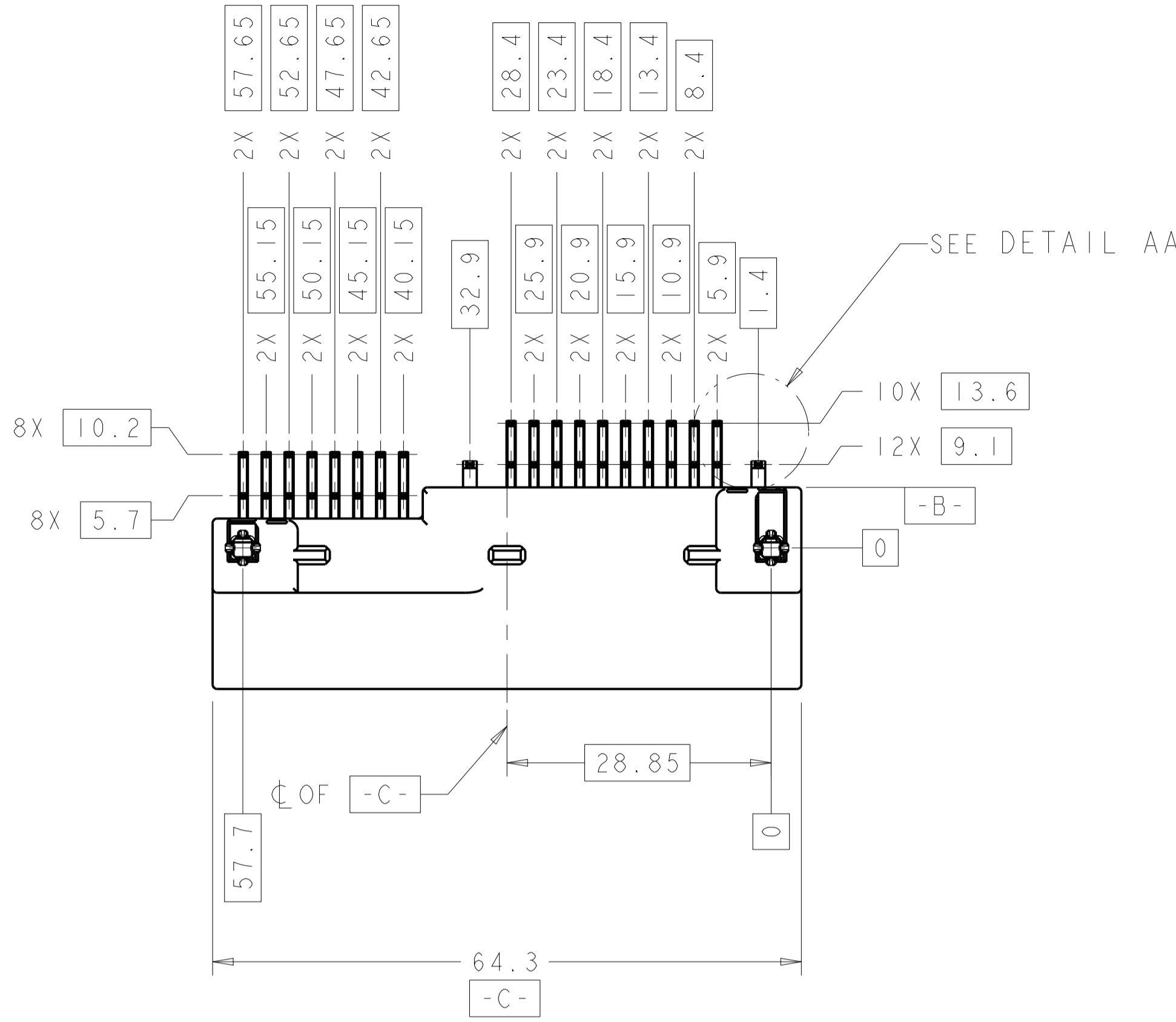
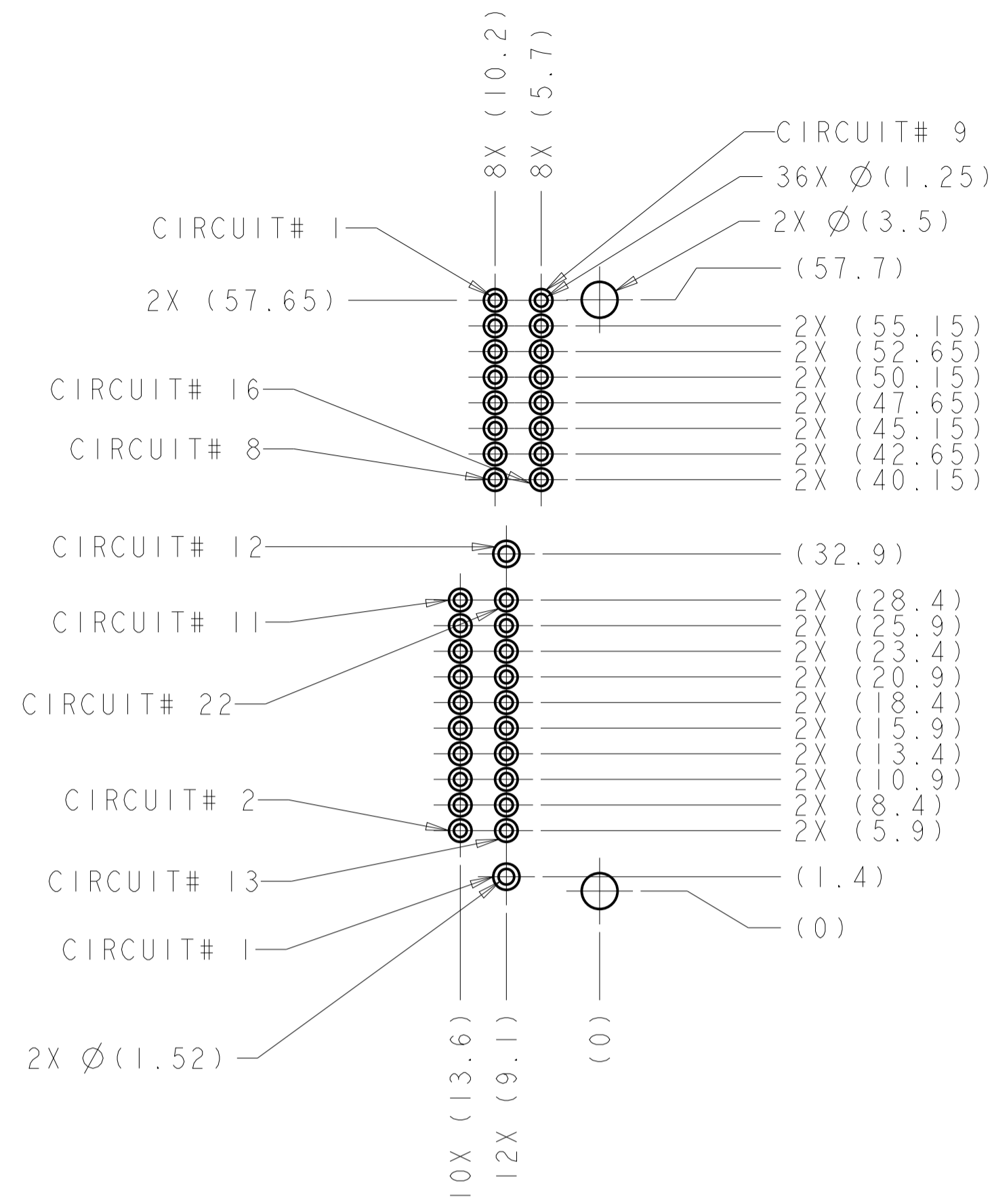
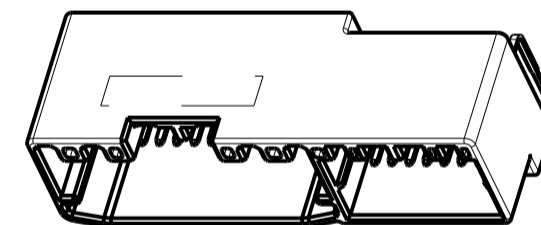
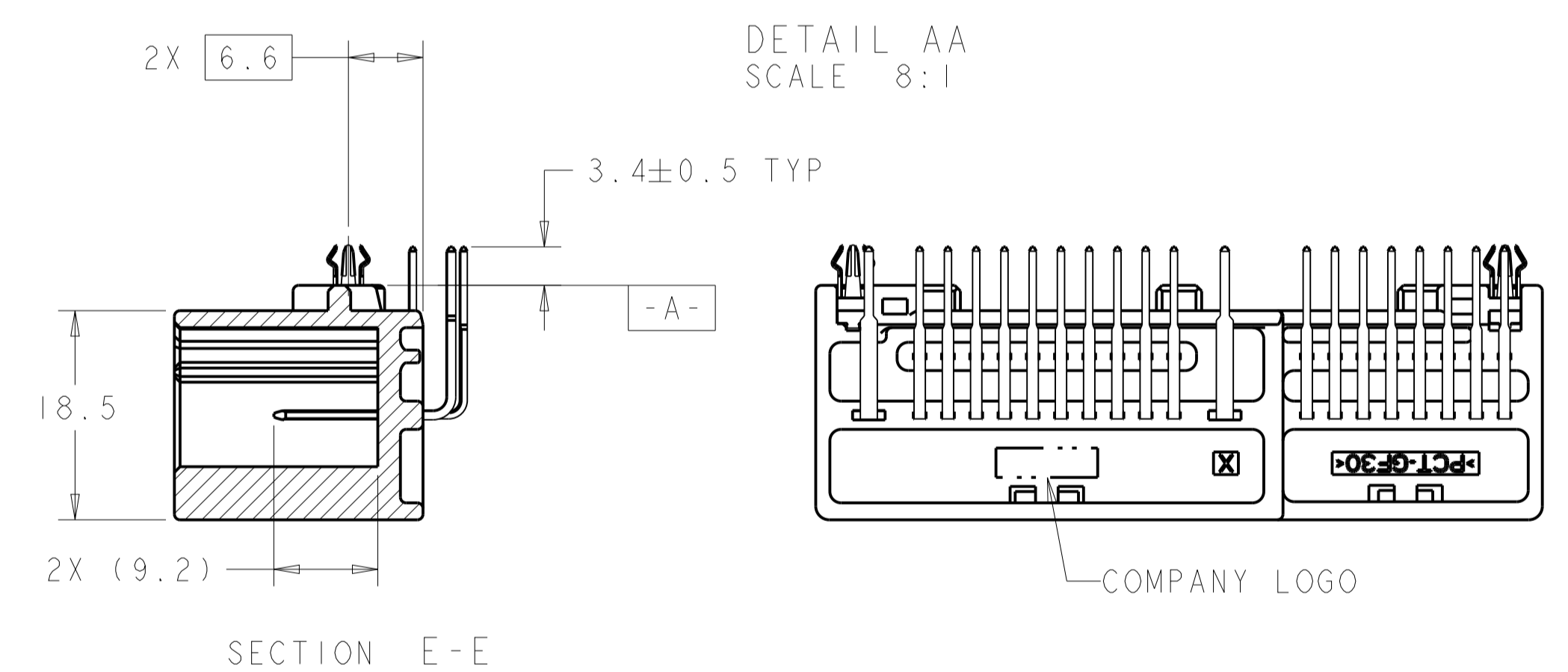
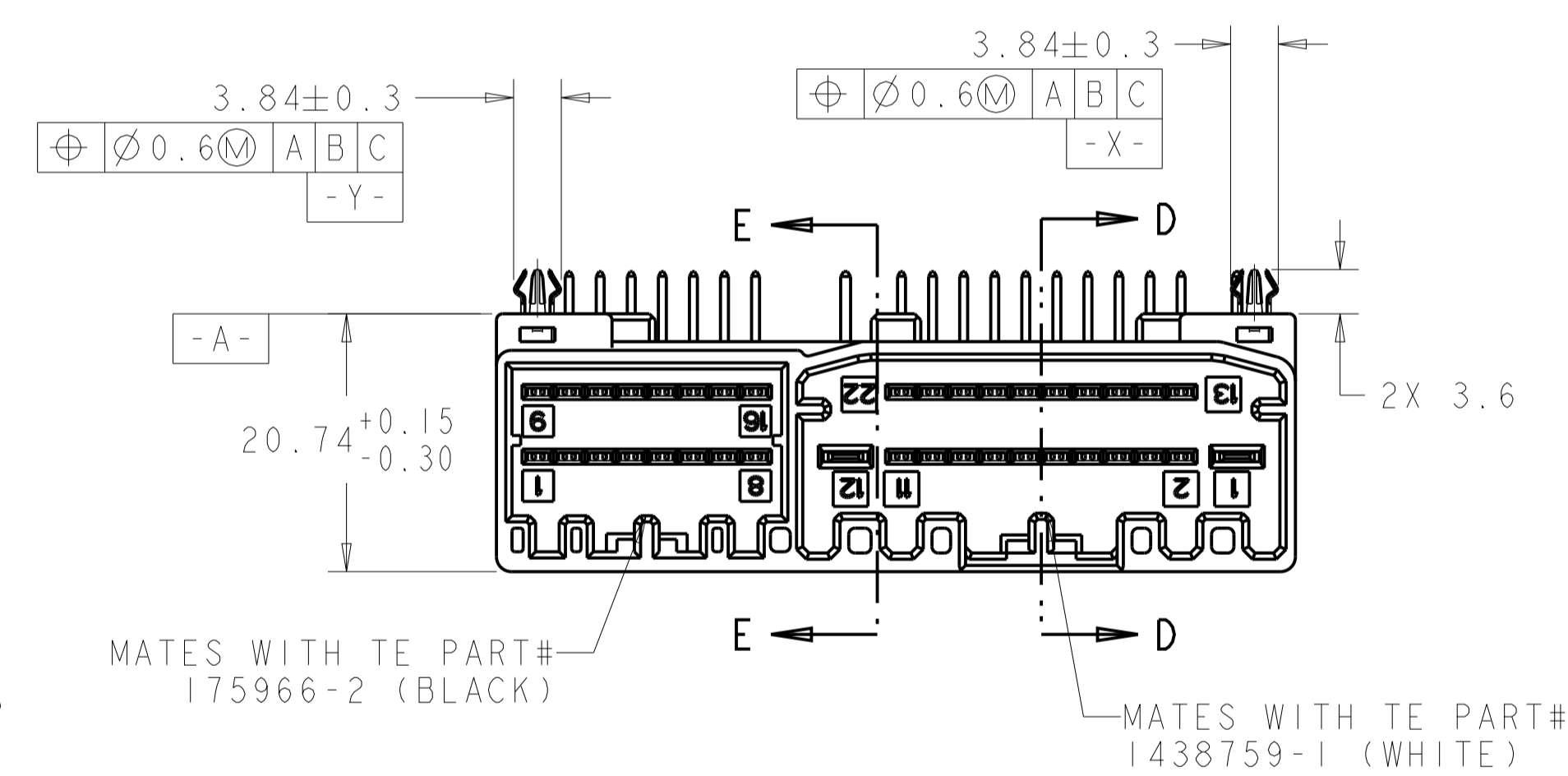


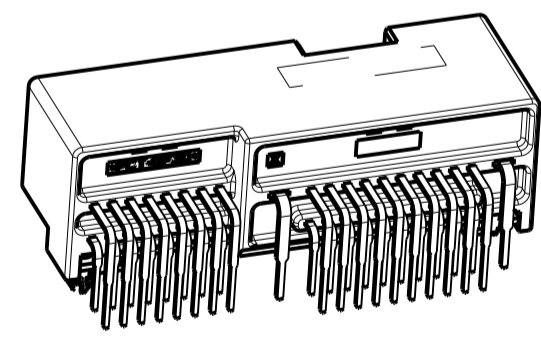
LOC		DIST		REVISIONS			
P	LTN	DESCRIPTION	DATE	DWN	APVD		
A2		REVISED PER ECR-10-012887	17JUN2010	YSS	MB		
B		REVISED PER ECO-14-001745	06FEB2014	DD	SA		



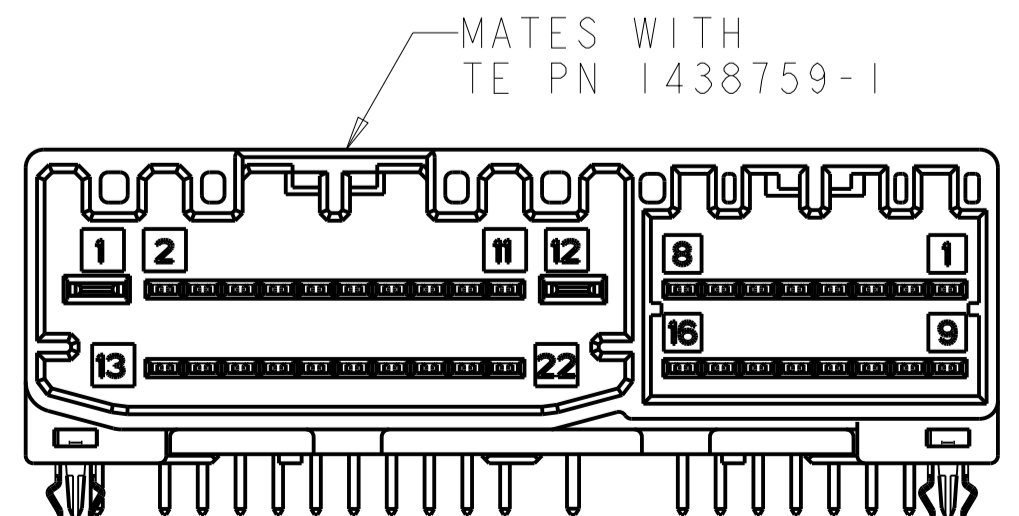
RECOMMENDED
 PCB LAYOUT
 CONNECTOR SIDE
 (RECOMMENDED BOARD THICKNESS 1.57mm)



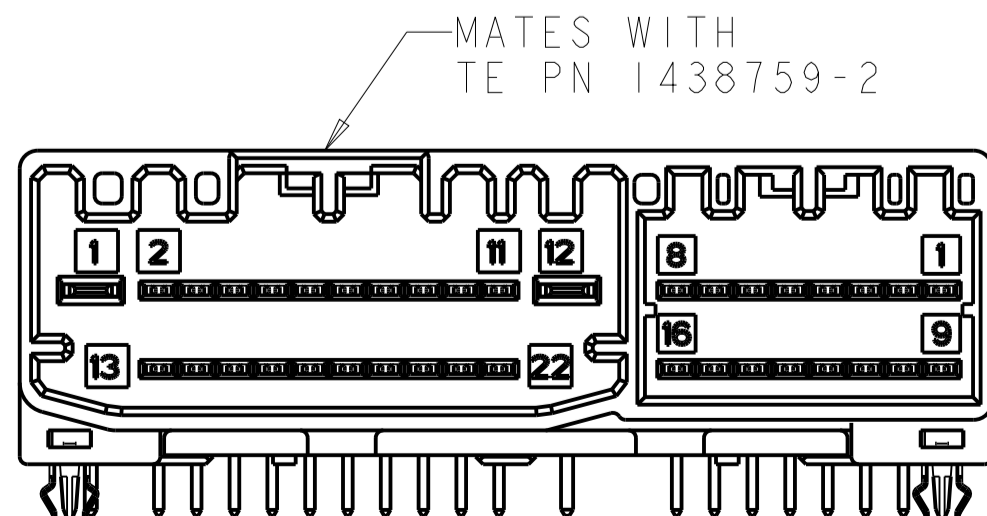
9-1438789-2 REF
 SCALE 1:1



9-1438789-2 REF
 SCALE 1:1



9-1438789-2



9-1438789-3

BRASS	PRE-TIN	BRASS	POST-TIN	PCT	BLACK	9-1438789-3
BRASS	PRE-TIN	BRASS	POST-TIN	PCT	BLACK	9-1438789-2
BOARDLOCK		CONTACT		HOUSING		PART NUMBER

THIS DRAWING IS A CONTROLLED DOCUMENT.		DWN W MCALLISTER 08SEP2004	NAME STE TE Connectivity
DIMENSIONS:		CHK G MARTIN 21SEP2004	
mm	0 PLC ±0.3 1 PLC ±0.3 2 PLC ±0.1 3 PLC ± 4 PLC ± ANGLES ±	APVD T McHAFFEE 21SEP2004	PRODUCT SPEC
MATERIAL		APPLICATION SPEC	SIZE 114-13158
		WEIGHT	RESTRICTED TO
		Customer Drawing	A100779C=1438789
		SCALE 2:1	SHEET 1 OF 1 REV C