

4

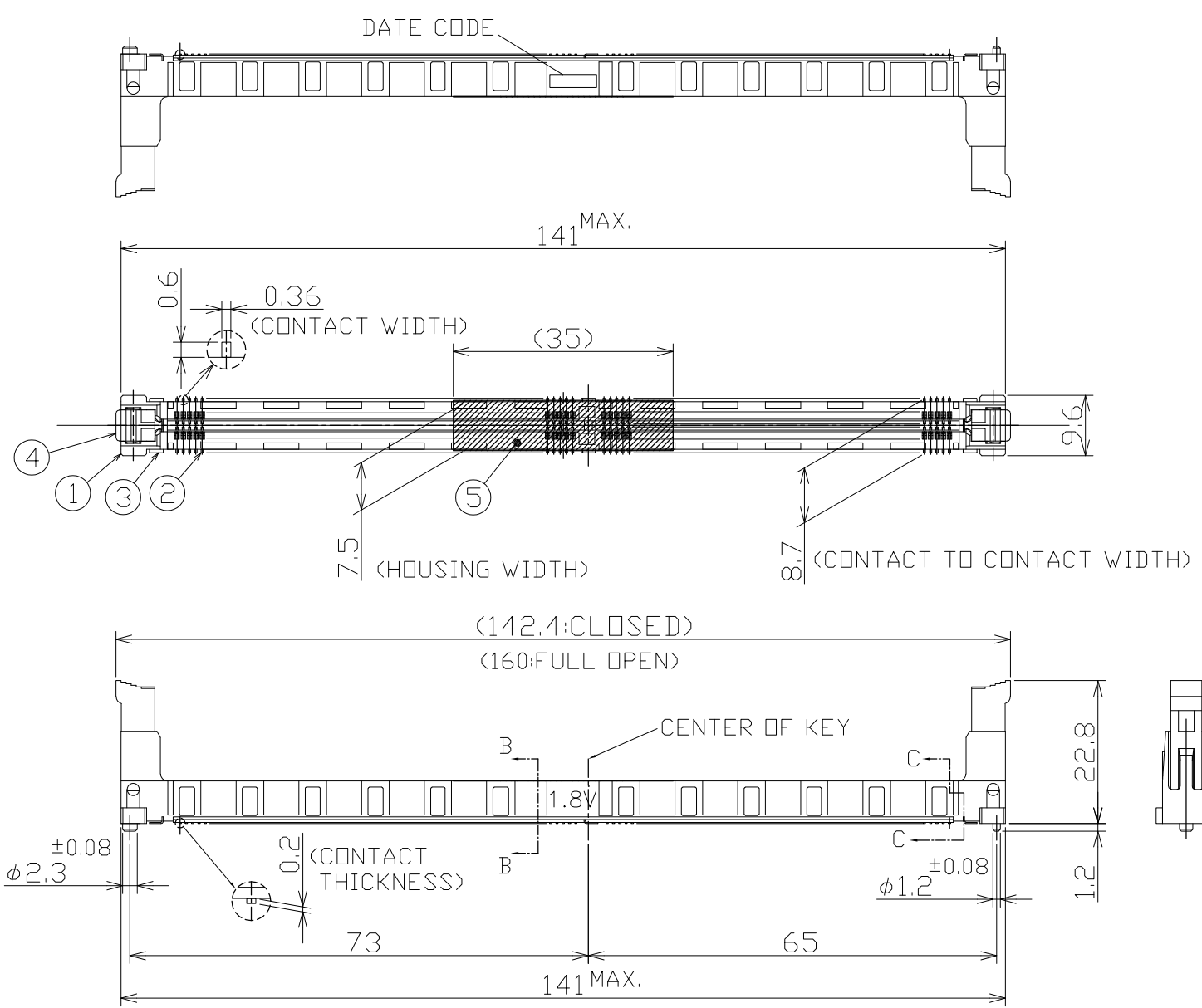
3

2

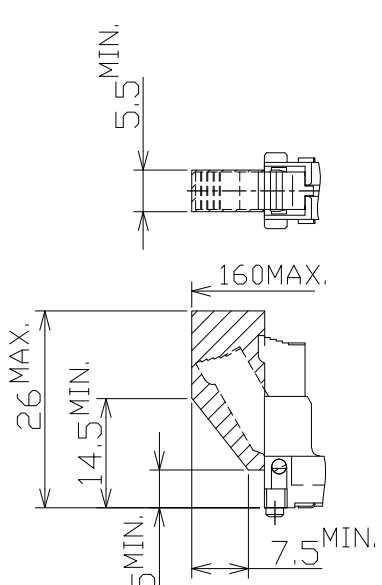
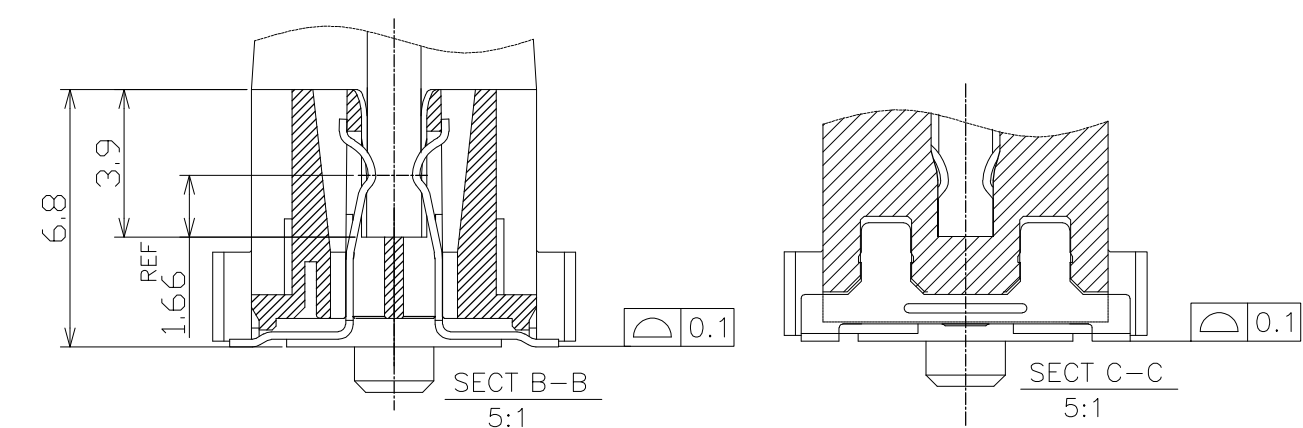
1

THIS DRAWING IS UNPUBLISHED. RELEASED FOR PUBLICATION  
 © COPYRIGHT - By - ALL RIGHTS RESERVED.

LOC	DIST	REVISIONS					
J	/	P	LTR	DESCRIPTION	DATE	DWN	APVD
		C		REVISED ECR-11-019776	27SEP2011	I.T	C.W



- 1.MATERIAL**  
 HOUSING : THERMOPLASTIC, UL94V-0, BLACK  
 CONTACT : COPPER ALLOY  
 SOLDER PEG : COPPER ALLOY  
 EXTRACTOR : THERMOPLASTIC, UL94V-0
- 2.FINISH**  
 CONTACT : Au PL. ON CONTACT AREA  
 TIN PL. ON TINE AREA, Ni UNDER PL. ALL OVER  
 SOLDER PEG : TIN PL., Ni UNDER PL. ALL OVER
- 3.GENERAL TOLERANCES :**  
 10 ≥ : ±0.2  
 100 ≥ >10 : ±0.3  
 ANGLES : ±3°
- 4.CHECK THE EXTRACTOR IS NOT OPEN BEFORE REFLOW AT CUSTOMER LINE.**



KEEP OUT AREA RESERVED FOR EXTRACTORS  
 (HATCHING AREA, 2 PLC TYP.)

30u" Au MIN or 3u" MIN Au+27u" Pd Ni	1-1939495-1
2u" Au MIN FLASH	1939495-4 1939495-1
CONTACT GOLD INTERFACE	PART NUMBER

2	EXTRACTOR	(4)
3	SOLDER PEG	(3)
240	CONTACT	(2)
1	HOUSING	(1)
QTY	NAME	ITEM
WITHOUT TAPE		1939495-4
REMARKS		PART NUMBER

1	TAPE	(5)
2	EXTRACTOR	(4)
3	SOLDER PEG	(3)
240	CONTACT	(2)
1	HOUSING	(1)
QTY	NAME	ITEM
WITH TAPE		1-1939495-1
REMARKS		1939495-1
		PART NUMBER

THIS DRAWING IS A CONTROLLED DOCUMENT.

DWN	H.FUKUZAKI	27MAR07
CHK	T.YAMADA	27MAR07
APVD	T.YAMADA	27MAR07
PRODUCT SPEC	108-78453	
APPLICATION SPEC	取付適用規格	
WEIGHT	8.58g	
CUSTOMER DRAWING		

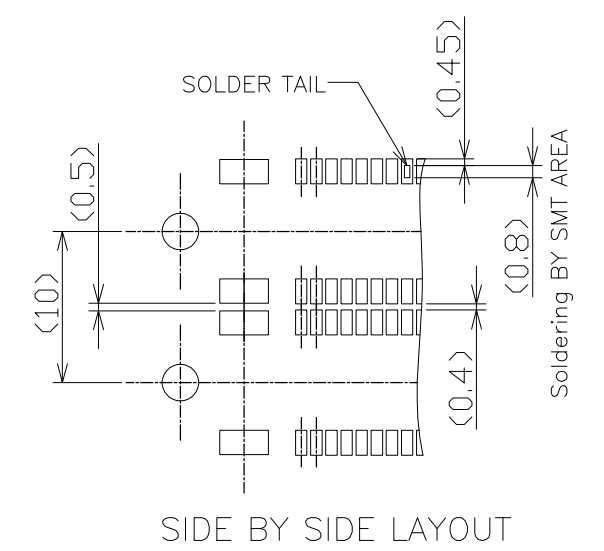
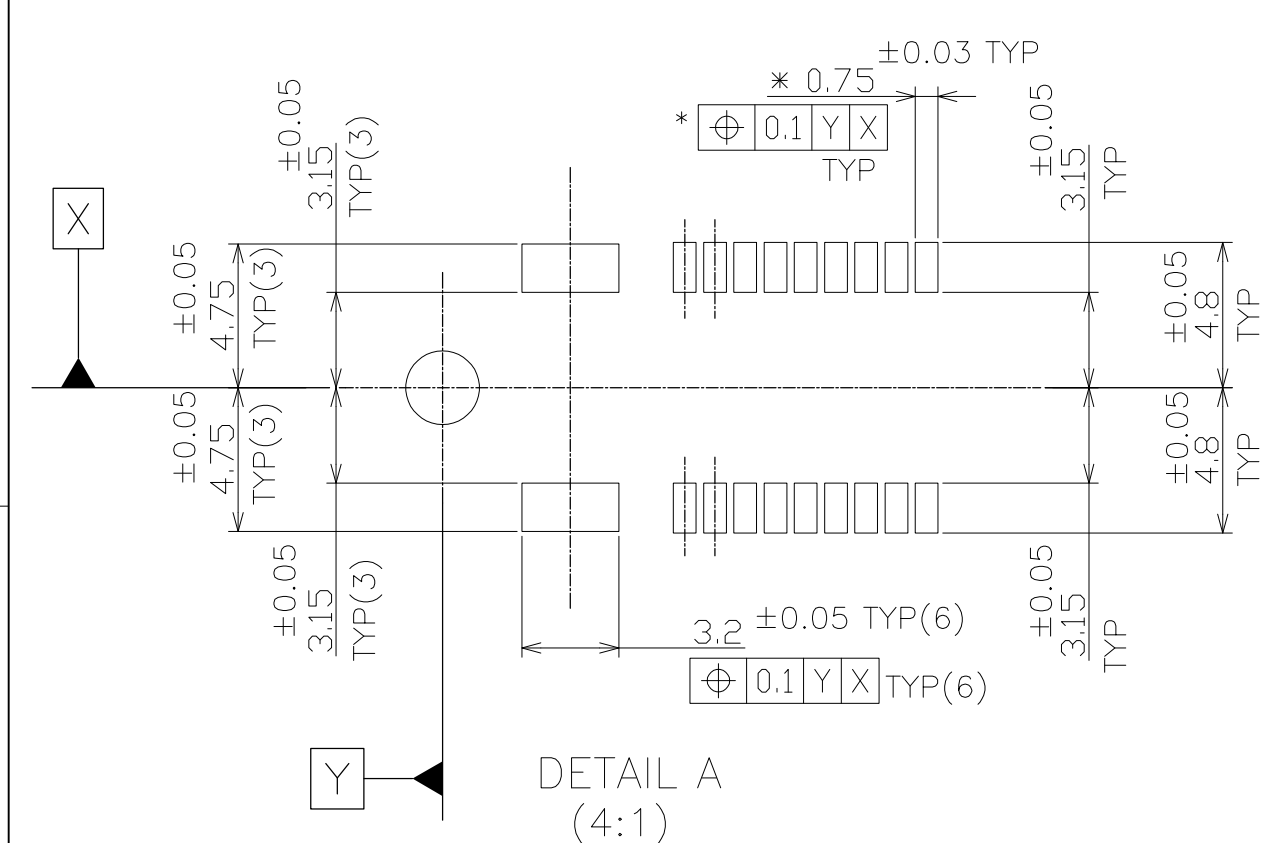
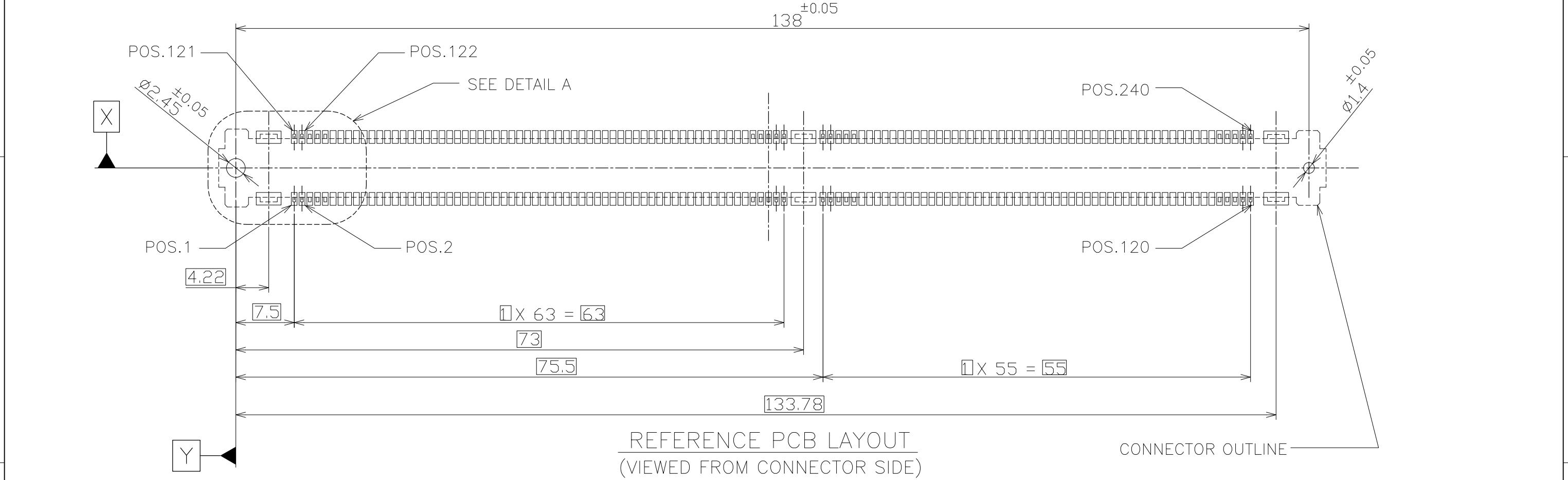
**STE** TE Connectivity

SOCKET ASSEMBLY  
DDR-II, SMT, 240P

SIZE	CAGE CODE	DRAWING NO	RESTRICTED TO
A3	00779	C-1939495	
SCALE	1:1	SHEET	1 OF 4
REV	C		

THIS DRAWING IS UNPUBLISHED. RELEASED FOR PUBLICATION  
 © COPYRIGHT - By - ALL RIGHTS RESERVED.

LOC	DIST	REVISIONS		
J	/	P	LTR	DESCRIPTION
		-	-	SEE SHEET 1
				DATE
				DWN
				APVD

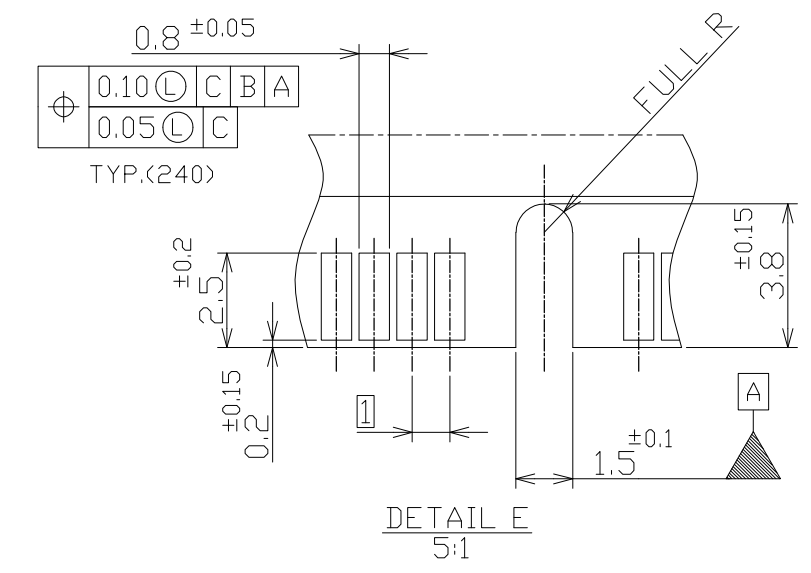
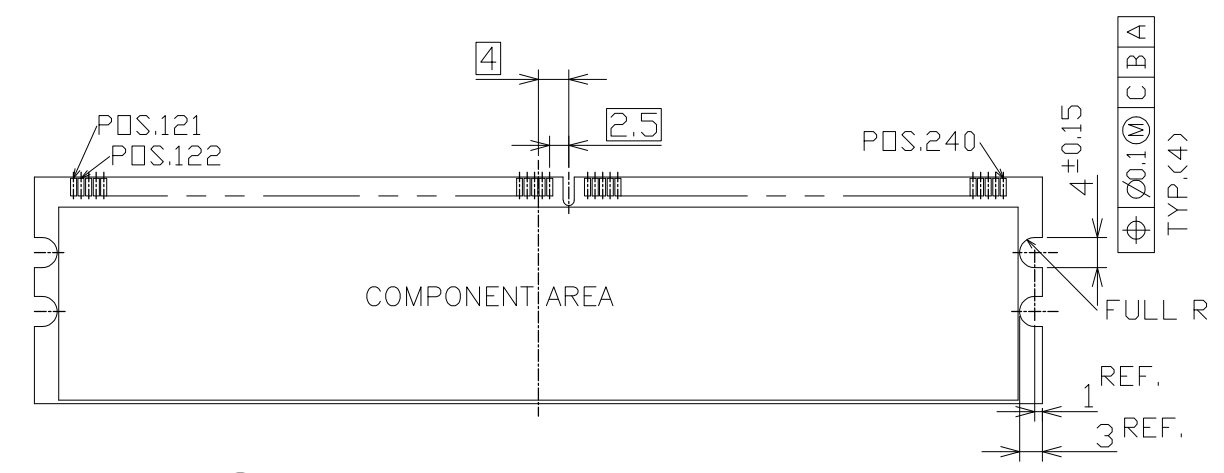
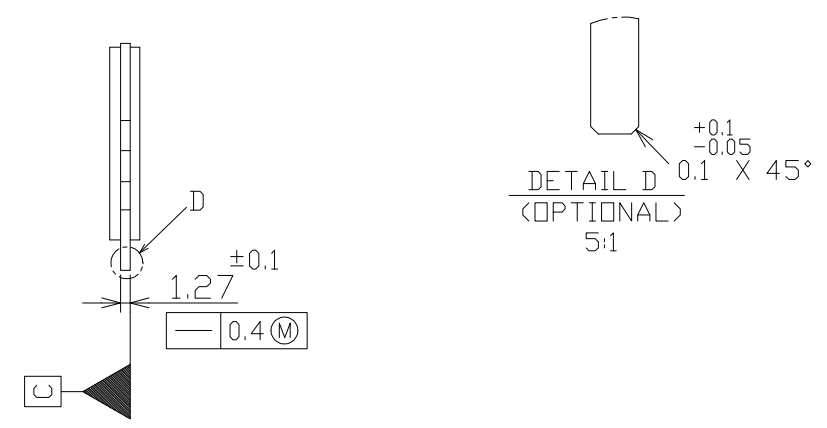
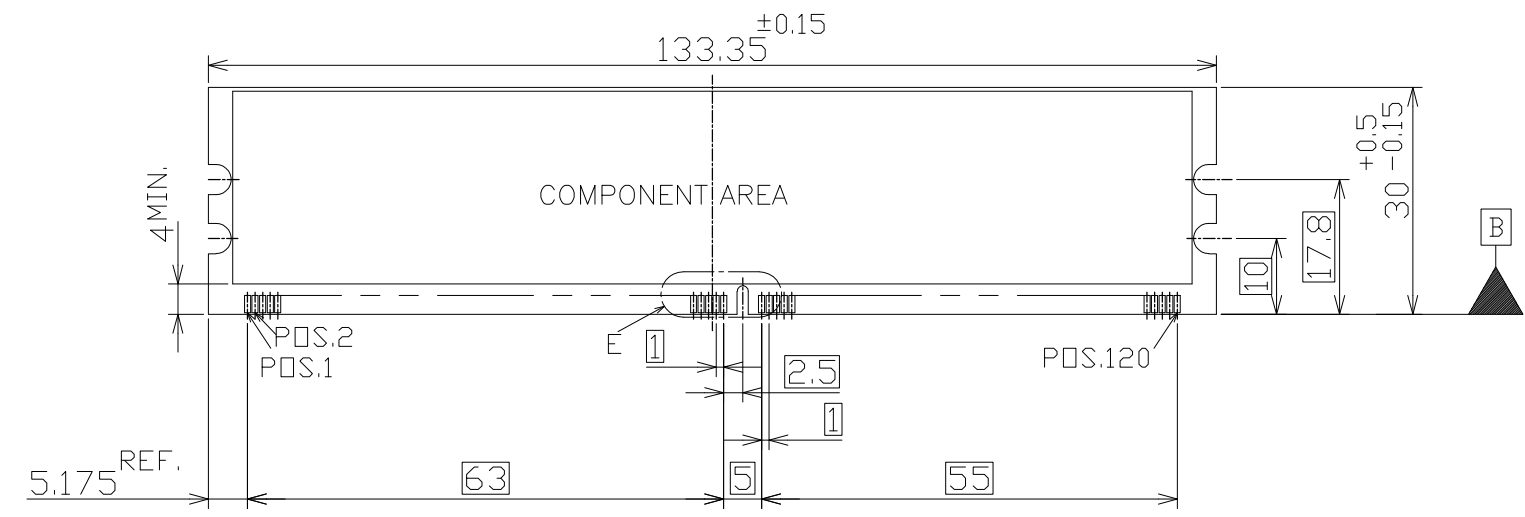


\*: TOLERANCE; NON-CUMMIRATIVE

THIS DRAWING IS A CONTROLLED DOCUMENT.		DWN	-		TE Connectivity
DIMENSIONS: 单位: 耗 mm		CHK	-		
TOLERANCES UNLESS OTHERWISE SPECIFIED: 一般公差		APVD	-		NAME 名称
0 PLC ± -		PRODUCT SPEC 製品規格	-		SOCKET ASSEMBLY
1 PLC ± -		APPLICATION SPEC 取付適用規格	-		DDR-II, SMT, 240P
2 PLC ± -		WEIGHT	-		SIZE
3 PLC ± -		CUSTOMER DRAWING	-		CAGE CODE
4 PLC ± -		SCALE 尺度 2:1	-		DRAWING NO 番号
ANGLES ± -		SHEET 2 OF 4	-		RESTRICTED TO
FINISH 仕上		REV C	-		
MATERIAL 材料			-		

THIS DRAWING IS UNPUBLISHED. RELEASED FOR PUBLICATION  
 © COPYRIGHT - By - ALL RIGHTS RESERVED.

LOC	DIST	REVISIONS					
J	/	P	LTR	DESCRIPTION	DATE	DWN	APVD
		-	-	SEE SHEET 1	-	-	-



REV.2 REFERENCE DIMM PCB LAYOUT  
 (BASED ON STANDARD OF JEDEC MO-237)

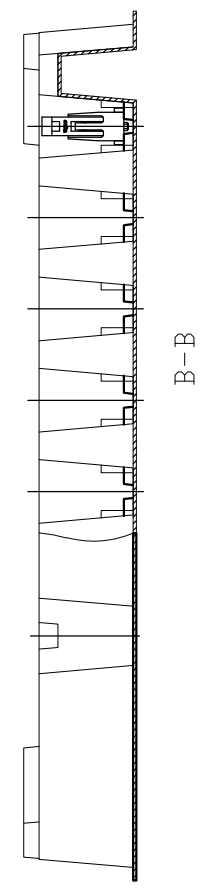
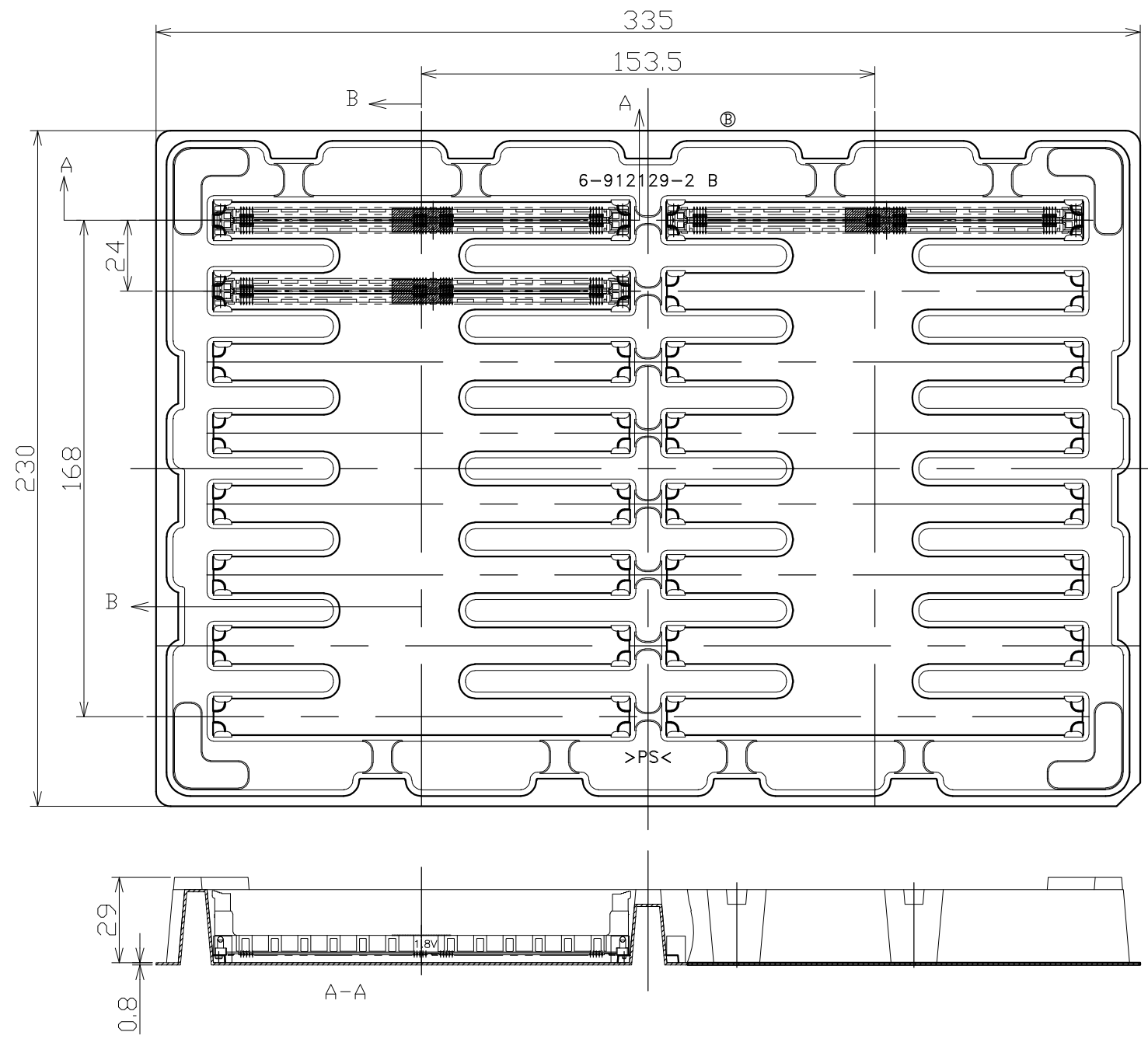
RECOMMENDED PLATING FOR CONTACT PADS ARE:

- 1) PREFERABLE PLATING : ELECTROLYTIC GOLD PLATING 0.76 MICROMETERS MINIMUM OVER ELECTROLYTIC NICKEL 2.00 MICROMETERS MINIMUM.
- 2) ALTERNATIVE PLATING : GOLD PLATING 0.05-0.75 MICROMETERS OVER NICKEL 2.00 MICROMETERS MINIMUM MUST USE AN ELECTRONIC CONTACT GRADE CORROSIVE BARRIER LUBRICANT.

THIS DRAWING IS A CONTROLLED DOCUMENT.		DWN	TE Connectivity				
DIMENSIONS: 单位: 耗 mm TOLERANCES UNLESS OTHERWISE SPECIFIED: 一般公差 0 PLC ± - 1 PLC ± - 2 PLC ± - 3 PLC ± - 4 PLC ± - ANGLES ± -		CHK				NAME 名称	SOCKET ASSEMBLY DDR-II, SMT, 240P
MATERIAL 材料		APVD	PRODUCT SPEC 製品規格	SIZE	CAGE CODE	DRAWING NO 番号	RESTRICTED TO
FINISH 仕上		WEIGHT	APPLICATION SPEC 取付適用規格	A3	00779	G-1939495	-
CUSTOMER DRAWING			SCALE 尺度	1:1	SHEET	3 OF 4	REV C

THIS DRAWING IS UNPUBLISHED. RELEASED FOR PUBLICATION  
 © COPYRIGHT - By - ALL RIGHTS RESERVED.

LOC J	DIST /	REVISIONS 変更		
P	LTR	DESCRIPTION	DATE	DWN APVD
-	-	SEE SHEET 1	-	- -



TRAY : A TYPE AND B TYPE  
 QTY : 16EA / TRAY

THIS DRAWING IS A CONTROLLED DOCUMENT.		DWN	TE Connectivity		
DIMENSIONS: 単位: 耗 mm		CHK	NAME 名称		
TOLERANCES UNLESS OTHERWISE SPECIFIED: 一般公差		APVD	SOCKET ASSEMBLY DDR-II, SMT, 240P		
0 PLC ± - 1 PLC ± - 2 PLC ± - 3 PLC ± - 4 PLC ± - ANGLES ± -		PRODUCT SPEC 製品規格	SIZE	CAGE CODE	DRAWING NO 番号
MATERIAL 材料		APPLICATION SPEC 取付適用規格	A3	00779	C-1939495
FINISH 仕上		WEIGHT	RESTRICTED TO		
CUSTOMER DRAWING			SCALE 尺度	SHEET	REV
			NTS	4 OF 4	C