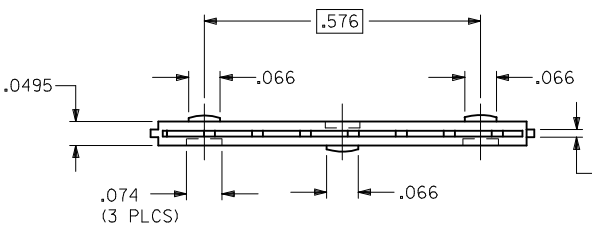
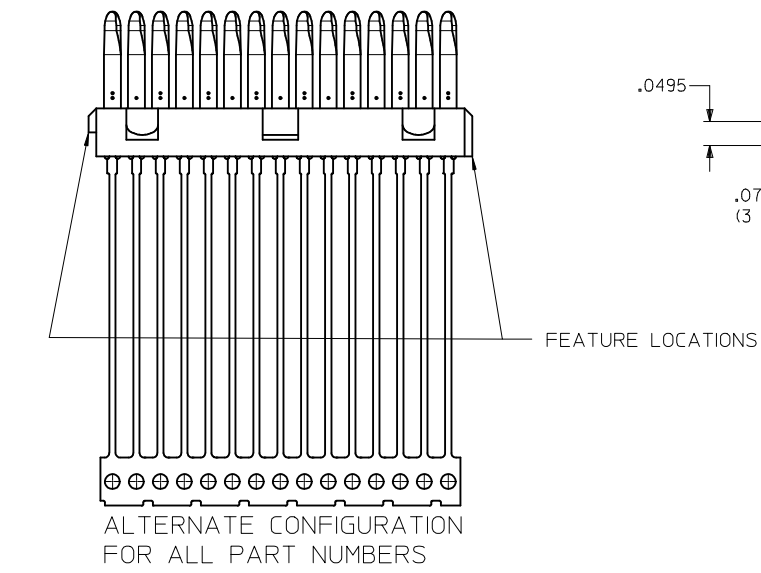
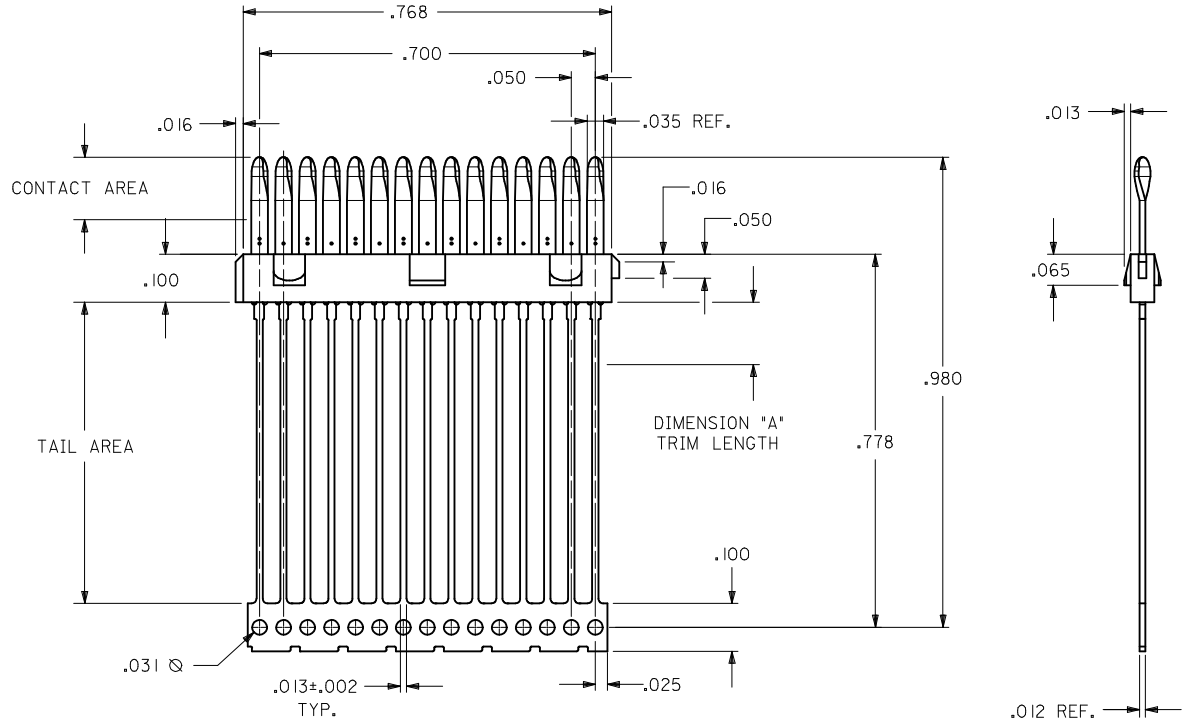
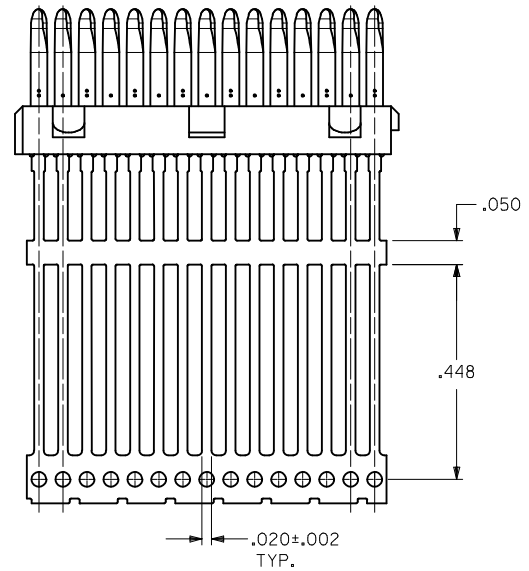


PART NUMBER	ENGINEERING NUMBER	DIMENSION "A"	BUSBAR OPTION	PLATING	
				CONTACT AREA	TAIL AREA
051-24-2021	70984-1001	N/A	NO	.000030/(0.00076) MINIMUM GOLD OVER A NICKEL UNDERPLATE	.000100/(0.00254) MINIMUM TIN OVER A NICKEL UNDERPLATE
051-24-2022	70984-1002	.130±.010	NO	.000030/(0.00076) MINIMUM GOLD OVER A NICKEL UNDERPLATE	.000100/(0.00254) MINIMUM TIN OVER A NICKEL UNDERPLATE
70984-1007		N/A	YES	.000030/(0.00076) MINIMUM GOLD OVER A NICKEL UNDERPLATE	.000050/(0.00127) MINIMUM NICKEL
70984-1010		N/A	YES	.000030/(0.00076) MINIMUM GOLD OVER A NICKEL UNDERPLATE	.000200/(0.00508) MINIMUM TIN OVER A NICKEL UNDERPLATE
70984-1014		.130±.010	NO	GOLD FLASH OVER A NICKEL UNDERPLATE	

BUSBAR OPTION
(SEE CHART FOR PART #'S)



- NOTES
- MATERIALS:
INSULATOR: GLASS FILLED LIQUID CRYSTAL POLYMER (LCP), UL 94V-0, COLOR: BLACK.
TERMINAL: PHOSPHOR BRONZE, .012 THICK.
PLATING: SEE CHART
 - FOR PART NUMBERS AND PLATING OPTIONS, SEE CHART.
 - PARTS CONFORM TO PRODUCT SPECIFICATION PS-70928.
 - PACKAGED PER SPECIFICATION PK-70873-0335 APPLIES.

ADD ALT. CONFIGURATION EC NO: UCP2013-5106 DRWING: DMORGAN 2013/05/24 CHKD: MPOFF 2013/05/24 APPR: SWILLER 2013/06/03	QUALITY SYMBOLS ▽=0 ▽=0 ▽=0	GENERAL TOLERANCES (UNLESS SPECIFIED)		DIMENSION STYLE INCH ONLY	SCALE 5:1	DESIGN UNITS INCH	THIRD ANGLE PROJECTION
		4 PLACES ± --- ± --- 3 PLACES ± --- ± .010 2 PLACES ± --- ± --- 1 PLACE ± --- ± --- 0 PLACE ± --- ± ---	mm INCH DRAWN BY DATE DMORGAN 2013/05/24 CHECKED BY DATE DSCHMIDGALL 1993/08/04 APPROVED BY DATE	TITLE LFH INSERT MOLDED STICK 15 CIRCUIT MALE (SALES DETAIL)		MATERIAL NO. SEE TABLE	DOCUMENT NO. SDA-70984-100*
ANGLUAR ±1/2° DRAFT WHERE APPLICABLE MUST REMAIN WITHIN DIMENSIONS		THIS DRAWING CONTAINS INFORMATION THAT IS PROPRIETARY TO MOLEX INCORPORATED AND SHOULD NOT BE USED WITHOUT WRITTEN PERMISSION					