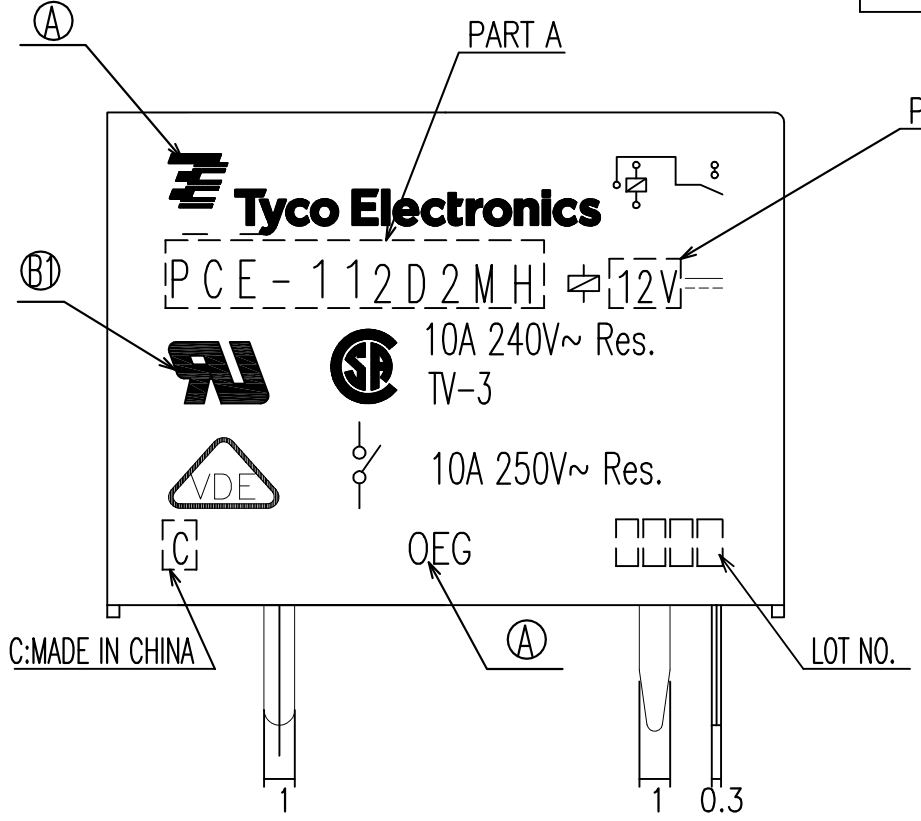
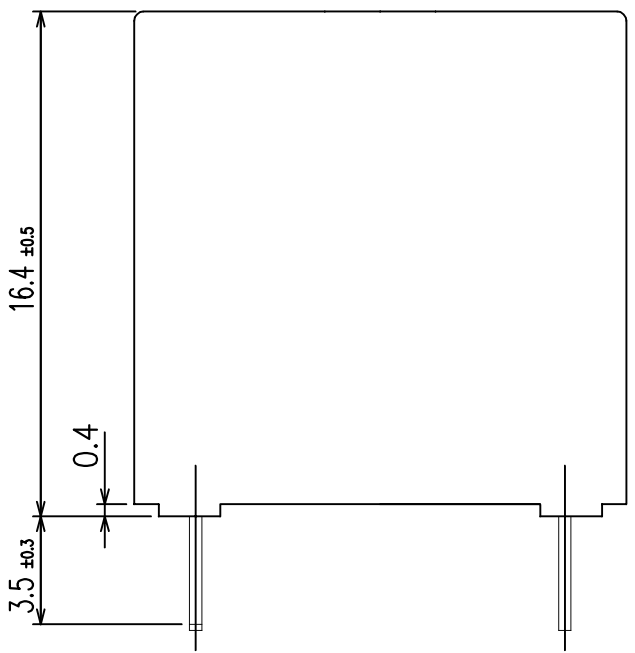


THIS DRAWING IS UNPUBLISHED. RELEASED FOR PUBLICATION
 © COPYRIGHT BY TYCO ELECTRONICS CORPORATION. ALL RIGHTS RESERVED.

LOC HH DIST

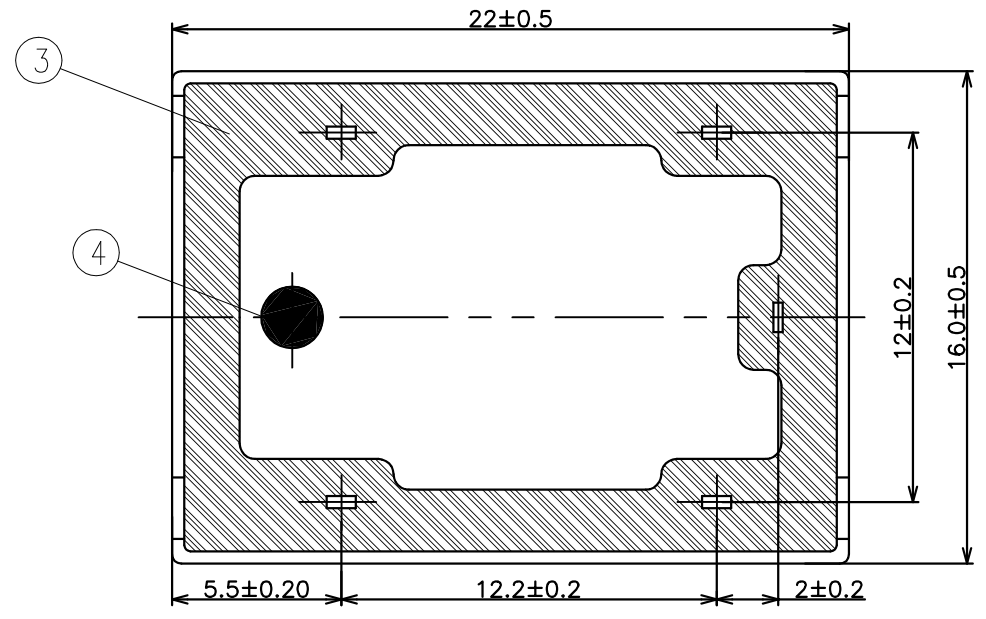
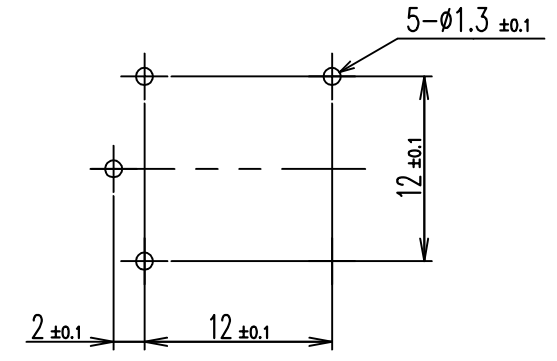
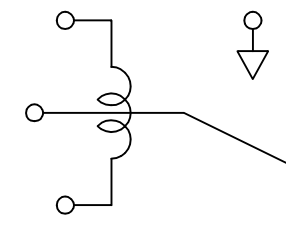
REVISIONS

P	LTR	DESCRIPTION	ECN	DATE	DWN	APVD
	A	ADD TYPE		11-NOV-03	H.S	A.N
	B	CHANGE TE LOGO	ECO-08-020463	8-SEP-08	Z,Z	BH,Y
	B1	MODIFY MISTAKE	ECO-09-018953	8-SEP-09	Z,Z	BH,Y



CIRCUIT DIAGRAM (BOTTOM VIEW)

DRILLING DIAGRAM (BOTTOM VIEW)



GENERAL TOLERANCE

DIAGRAM DIMENSION	TOLERANCE
0.99mm max.	±0.1mm
1 - 2.99mm	±0.2mm
3mm min.	±0.3mm

NOTES:
 1. Terminal dimension is before solder dip.

THIS DRAWING IS A CONTROLLED DOCUMENT FOR TYCO ELECTRONICS CORPORATION IT IS SUBJECT TO CHANGE AND THE CONTROLLING ENGINEERING ORGANIZATION SHOULD BE CONTACTED FOR THE LATEST REVISION.		DWN	H.SASAKI	Tyco Electronics Corporation ShenZhen, China	
DIMENSIONS: mm		CHK	N.FUNAYAMA		
TOLERANCES UNLESS OTHERWISE SPECIFIED:		APVD	A.NAGAI	NAME	
0 PLC ±		PRODUCT SPEC	-	PCE-112D2M,000=RELAY CUSTOMER DRAWING	
1 PLC ±		APPLICATION SPEC	-	SIZE	A3
2 PLC ±				CAGE CODE	00779
3 PLC ±				DRAWING NO	C= 1419125-8
4 PLC ±				RESTRICTED TO	-
ANGLES ±				SCALE	4:1
MATERIAL -				SHEET	1 OF 2
FINISH -				REV	B1
		CUSTOMER DRAWING			


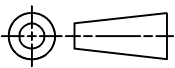
4 | 3 | 2 | 1
 THIS DRAWING IS UNPUBLISHED. | RELEASED FOR PUBLICATION
 © COPYRIGHT | BY TYCO ELECTRONICS CORPORATION. ALL RIGHTS RESERVED.

LOC	HH	DIST	REVISIONS							
			P	LTR	DESCRIPTION	ECN	DATE	DWN	APVD	

1-1419146-4	12V	PCE-112D2MH	d
1461140-2	48V	PCE-148D2M	c
1461140-1	24V	PCE-124D2M	b
1419125-8	12V	PCE-112D2M	a
TE PART NO	PART B	PART A	ITEM

RELAY TYPE

		UV RESIN	UV SEAL(FOR VENTED TYPE)	15
CLASS F		POLYURETHANE COPPER WIRE	MAGNETIC WIRE	14
		EPOXY RESIN	SEAL	13
		Cu ALLOY	COIL TERMINAL	12
		Ag ALLOY	STATIONARY CONTACT	11
		AG ALLOY	MOVABLE CONTACT	10
		Cu ALLOY	NO TERMINAL	9
		Cu ALLOY	DUMMY TERMINAL	8
		Cu ALLOY	MOVABLE SPRING	7
UL94 V-0		PBT	CASE	6
UL94 V-0		PET	BOBBIN	5
UL94 V-0		PET	BASE	4
	Ni PLATED	STEEL	CORE	3
	Ni PLATED	STEEL	ARMATURE	2
	Ni PLATED	STEEL	YOKE	1
INCOMBUSTIBILITY	TREATMENT	MATERIAL	DESCRIPTION	ITEM

THIS DRAWING IS A CONTROLLED DOCUMENT FOR TYCO ELECTRONICS CORPORATION IT IS SUBJECT TO CHANGE AND THE CONTROLLING ENGINEERING ORGANIZATION SHOULD BE CONTACTED FOR THE LATEST REVISION.		DWN		 Tyco Electronics Corporation ShenZhen, China	
DIMENSIONS: mm		CHK			
		APVD		NAME PCE-112D2M,000=RELAY CUSTOMER DRAWING	
TOLERANCES UNLESS OTHERWISE SPECIFIED: 0 PLC ± 1 PLC ± 2 PLC ± 3 PLC ± 4 PLC ± ANGLES ±		PRODUCT SPEC		SIZE A3	
MATERIAL		APPLICATION SPEC		CAGE CODE 00779	
FINISH		WEIGHT		DRAWING NO 1419125-8	
		CUSTOMER DRAWING		RESTRICTED TO -	
				SCALE 4:1 SHEET 2 OF 2 REV B1	