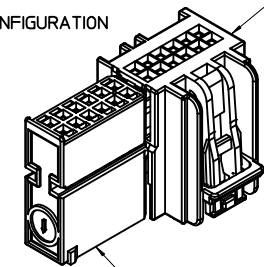


DELIVERY CONFIGURATION

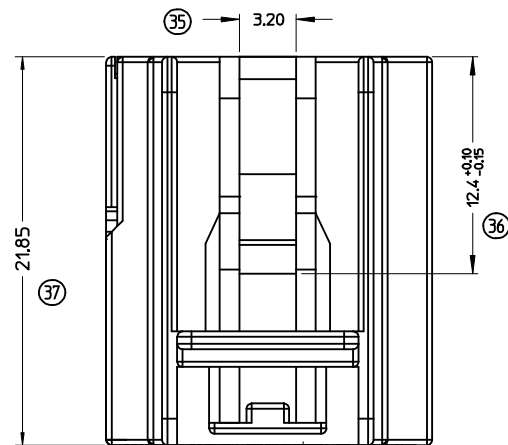
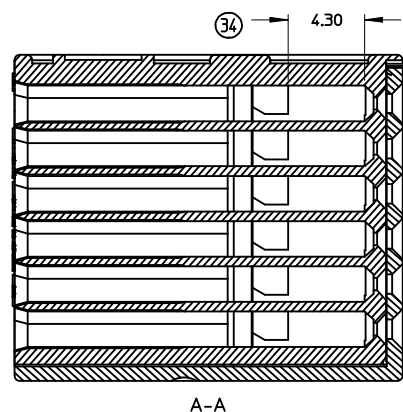
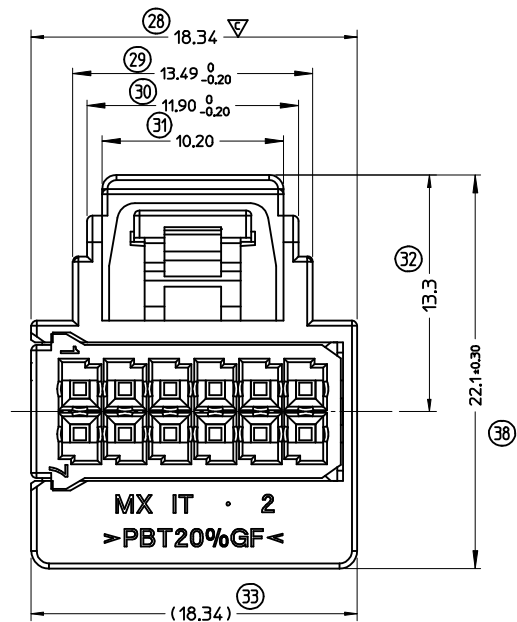
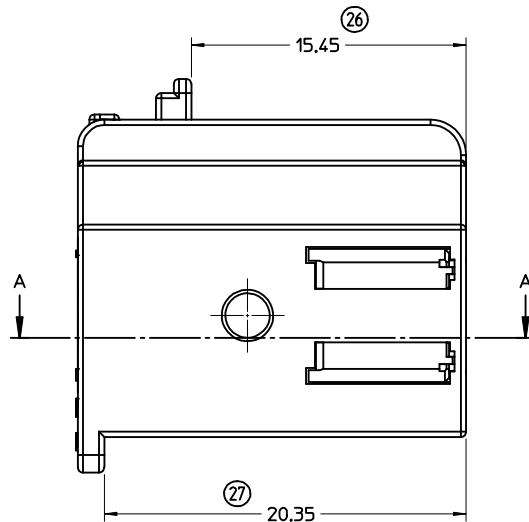
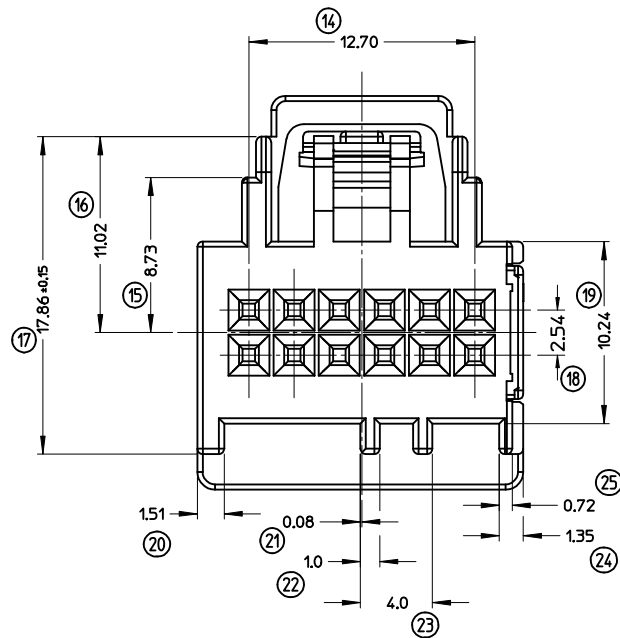


TERMINAL RECEPTACLE MODULE

- 1) MATERIAL: GLASS FILLED PBT, BLACK COLOR
- 2) USED WITH 98658 SERIES TERMINALS
- 3) MATES WITH 31341-2641 SERIES USCAR HEADERS
- 4) PACKAGING: IN CARTON BOXES (SEE DRAWING PK-94552-001 FOR DETAILS)
- 5) SPQ: 15840 pcs
- 6) IN THE EVENT OF PARTIAL OR TOTAL SEPARATION, PARTS DO NOT LOOSE THEIR FUNCTIONALITY

STD. DESCR: RECEPTACLE FOR MOX TERM, 12 CKT

EC NO: Z2014-0081 DRWN: SBARBIER 2014/01/09 CHKD: LSANTESSO 2014/01/10 APPR: FBISELLO 2014/01/10	QUALITY SYMBOLS ▽ - 0 ∇ - 0	GENERAL TOLERANCES (UNLESS SPECIFIED)		SCALE 5:1	DESIGN UNITS METRIC	FIRST ANGLE PROJECTION	REVISE ON CAD ONLY
				DIMENSION STYLE MM ONLY		TITLE 12 CKT POL. A USCAR 0.64MM RECEPTACLE FOR 98658 SERIES TERMINAL	
REV	DESCRIPTION	4 PLACES ± 0.13	± 0.13	DRAWN BY SBARBIER	DATE 2007/04/11	MATERIAL NO. DOCUMENT NO. 94552-9012 SD-94552-002	
		3 PLACES ± 0.25	± 0.25	CHECKED BY LSANTESSO	DATE 2007/04/11	SHEET NO. 1 OF 2	
		2 PLACES ± 0.25	± 0.25	APPROVED BY FBISELLO		DATE 2007/04/11	
		1 PLACE ± 0.25	± 0.25	THIS DRAWING CONTAINS INFORMATION THAT IS PROPRIETARY TO MOLEX INCORPORATED AND SHOULD NOT BE USED WITHOUT WRITTEN PERMISSION			
		ANGULAR ± 3°		DRAFT WHERE APPLICABLE MUST REMAIN WITHIN DIMENSIONS			

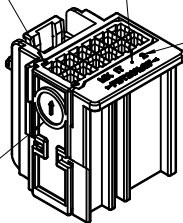


CIRCUIT # MARKING  
0,1mm ABOVE SURFACE

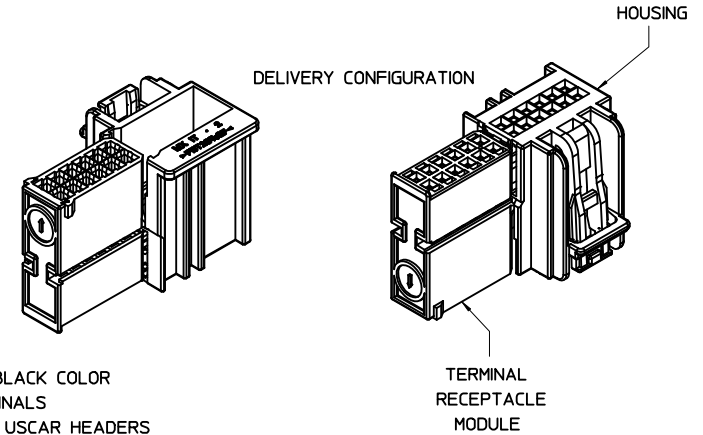
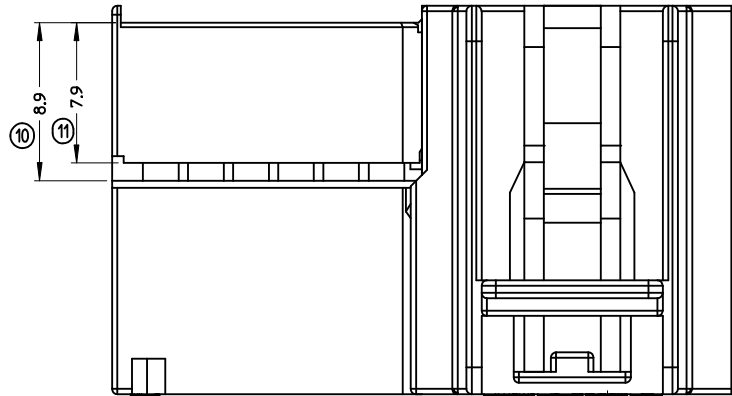
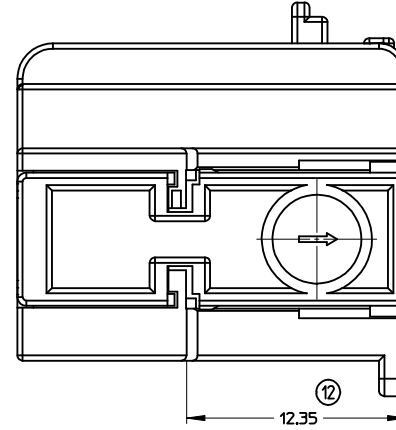
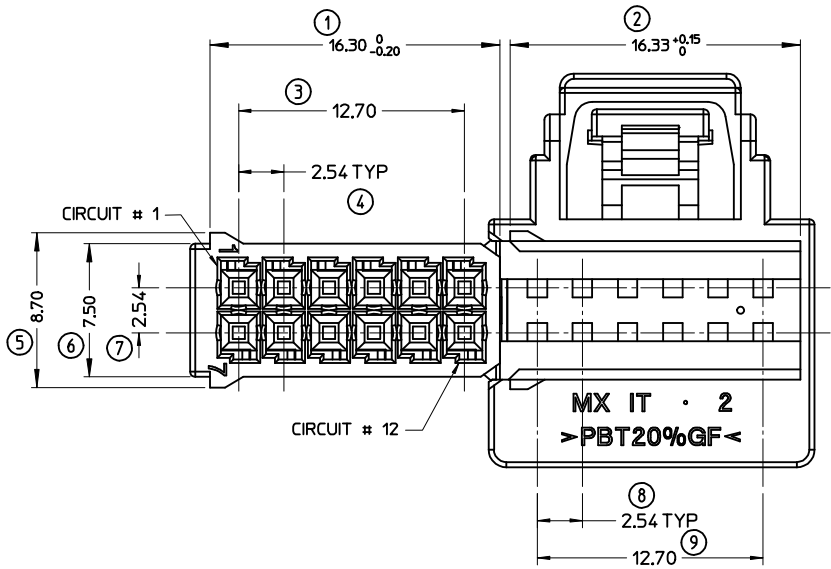
THE PRESENCE OF A  
DOT DENOTES PARTS  
OFF MOLD # 2

MOLEX LOGO,  
CAVITY NUMBER,  
MATERIAL DESIGNATION  
0,1mm ABOVE SURFACE

DATE INDICATOR



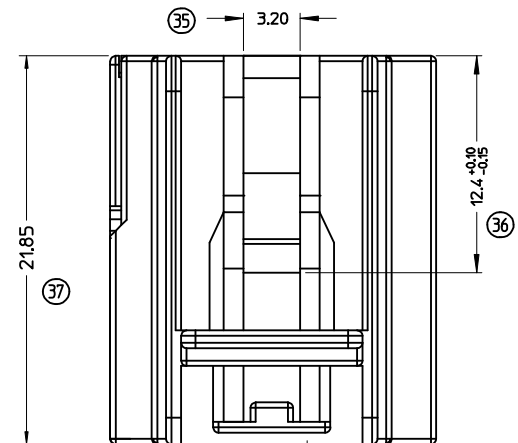
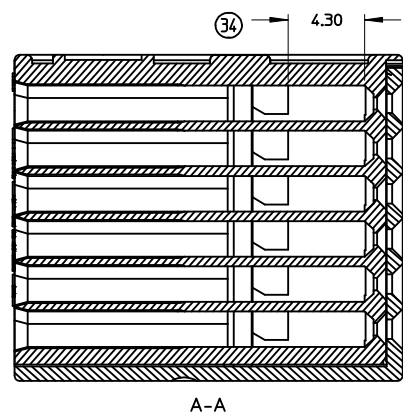
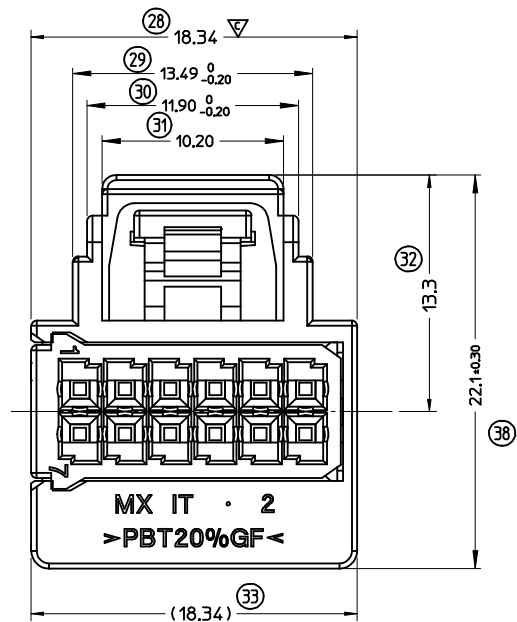
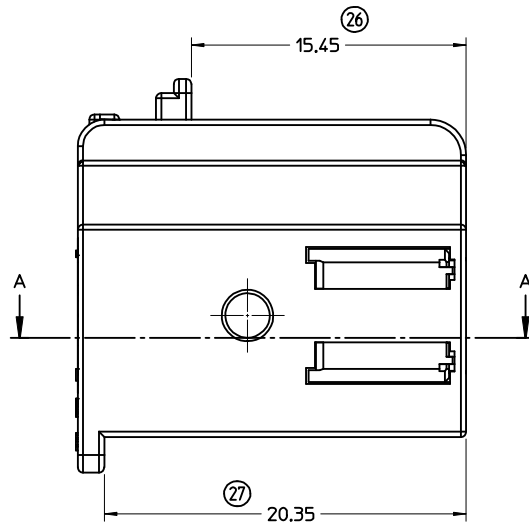
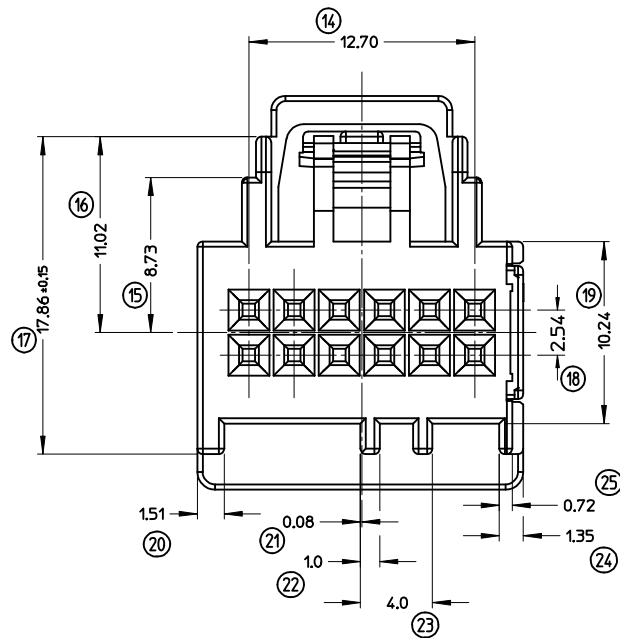
EC NO: Z2014-0081 DRWN: SBARBIER 2014/01/09 CHKD: LSANTESSO 2014/01/10 APPR: FBISELLO 2014/01/10	QUALITY SYMBOLS	GENERAL TOLERANCES (UNLESS SPECIFIED)	SCALE 5:1	DESIGN UNITS METRIC	FIRST ANGLE PROJECTION	REVISE ON CAD ONLY
	▽ 0	4 PLACES ± --- ± ---	mm INCH	DIMENSION STYLE MM ONLY	TITLE	
	▽ 1	3 PLACES ± --- ± ---		DRAWN BY SBARBIER DATE 2007/04/11	12 CKT POL. A USCAR 0.64MM RECEPTACLE FOR 98658 SERIES TERMINAL	
		2 PLACES ± 0.13 ± ---		CHECKED BY LSANTESSO DATE 2007/04/11	MATERIAL NO. MOLEX INCORPORATED	
	1 PLACE ± 0.25 ± ---	ANGULAR ± 3°	APPROVED BY FBISELLO DATE 2007/04/11	DOCUMENT NO. SD-94552-002	SHEET NO. 2 OF 2	
		DRAFT WHERE APPLICABLE MUST REMAIN WITHIN DIMENSIONS	THIS DRAWING CONTAINS INFORMATION THAT IS PROPRIETARY TO MOLEX INCORPORATED AND SHOULD NOT BE USED WITHOUT WRITTEN PERMISSION			



- 1) MATERIAL: GLASS FILLED PBT, BLACK COLOR
- 2) USED WITH 98658 SERIES TERMINALS
- 3) MATES WITH 31341-2641 SERIES USCAR HEADERS
- 4) PACKAGING: IN CARTON BOXES (SEE DRAWING PK-94552-001 FOR DETAILS)
- 5) SPQ: 15840 pcs
- 6) IN THE EVENT OF PARTIAL OR TOTAL SEPARATION, PARTS DO NOT LOOSE THEIR FUNCTIONALITY

STD. DESCR: RECEPTACLE FOR MOX TERM, 12 CKT

EC NO: Z2014-0081 DRWN: SBARBIER 2014/01/09 CHKD: LSANTOSSO 2014/01/10 APPR: FBISELLO 2014/01/10	QUALITY SYMBOLS ▽ - 0 ∇ - 0	GENERAL TOLERANCES (UNLESS SPECIFIED)		SCALE <b>5:1</b>	DESIGN UNITS <b>METRIC</b>	FIRST ANGLE PROJECTION	REVISE ON CAD ONLY
		mm	INCH	DIMENSION STYLE <b>MM ONLY</b>			
B	DESCRIPTION	4 PLACES ± 0.13	± 0.005	DRAWN BY SBARBIER	DATE 2007/04/11	TITLE <b>12 CKT POL. A USCAR 0.64MM RECEPTACLE FOR 98658 SERIES TERMINAL</b>	
		3 PLACES ± 0.13	± 0.005	CHECKED BY LSANTOSSO	DATE 2007/04/11		
		2 PLACES ± 0.13	± 0.005	APPROVED BY FBISELLO 2007/04/11		MATERIAL NO. <b>94552-9012</b>	
		1 PLACE ± 0.25	± 0.010	DATE 2007/04/11		DOCUMENT NO. <b>SD-94552-002</b>	
DRAFT WHERE APPLICABLE MUST REMAIN WITHIN DIMENSIONS		ANGULAR ± 3°		THIS DRAWING CONTAINS INFORMATION THAT IS PROPRIETARY TO MOLEX INCORPORATED AND SHOULD NOT BE USED WITHOUT WRITTEN PERMISSION		SHEET NO. 1 OF 2	



CIRCUIT # MARKING  
0,1mm ABOVE SURFACE

THE PRESENCE OF A  
DOT DENOTES PARTS  
OFF MOLD # 2

MOLEX LOGO,  
CAVITY NUMBER,  
MATERIAL DESIGNATION  
0,1mm ABOVE SURFACE

DATE INDICATOR

EC NO: Z2014-0081 DRWN: SBARBIER 2014/01/09 CHKD: LSANTESSO 2014/01/10 APPR: FBISELLO 2014/01/10	QUALITY SYMBOLS	GENERAL TOLERANCES (UNLESS SPECIFIED)	SCALE 5:1	DESIGN UNITS METRIC	FIRST ANGLE PROJECTION	REVISE ON CAD ONLY
	▽ 0	4 PLACES ± --- ± ---	mm INCH	DIMENSION STYLE MM ONLY	TITLE	
	▽ 1	3 PLACES ± --- ± ---		DRAWN BY SBARBIER DATE 2007/04/11	12 CKT POL. A USCAR 0.64MM RECEPTACLE FOR 98658 SERIES TERMINAL	
		2 PLACES ± 0.13 ± ---		CHECKED BY LSANTESSO DATE 2007/04/11	MATERIAL NO. SD-94552-002 DOCUMENT NO. SD-94552-002 SHEET NO. 2 OF 2	
		1 PLACE ± 0.25 ± ---		APPROVED BY FBISELLO DATE 2007/04/11	MATERIAL NO. SD-94552-002 DOCUMENT NO. SD-94552-002 SHEET NO. 2 OF 2	
		ANGULAR ± 3°		THIS DRAWING CONTAINS INFORMATION THAT IS PROPRIETARY TO MOLEX INCORPORATED AND SHOULD NOT BE USED WITHOUT WRITTEN PERMISSION		
		DRAFT WHERE APPLICABLE				
		MUST REMAIN WITHIN DIMENSIONS				