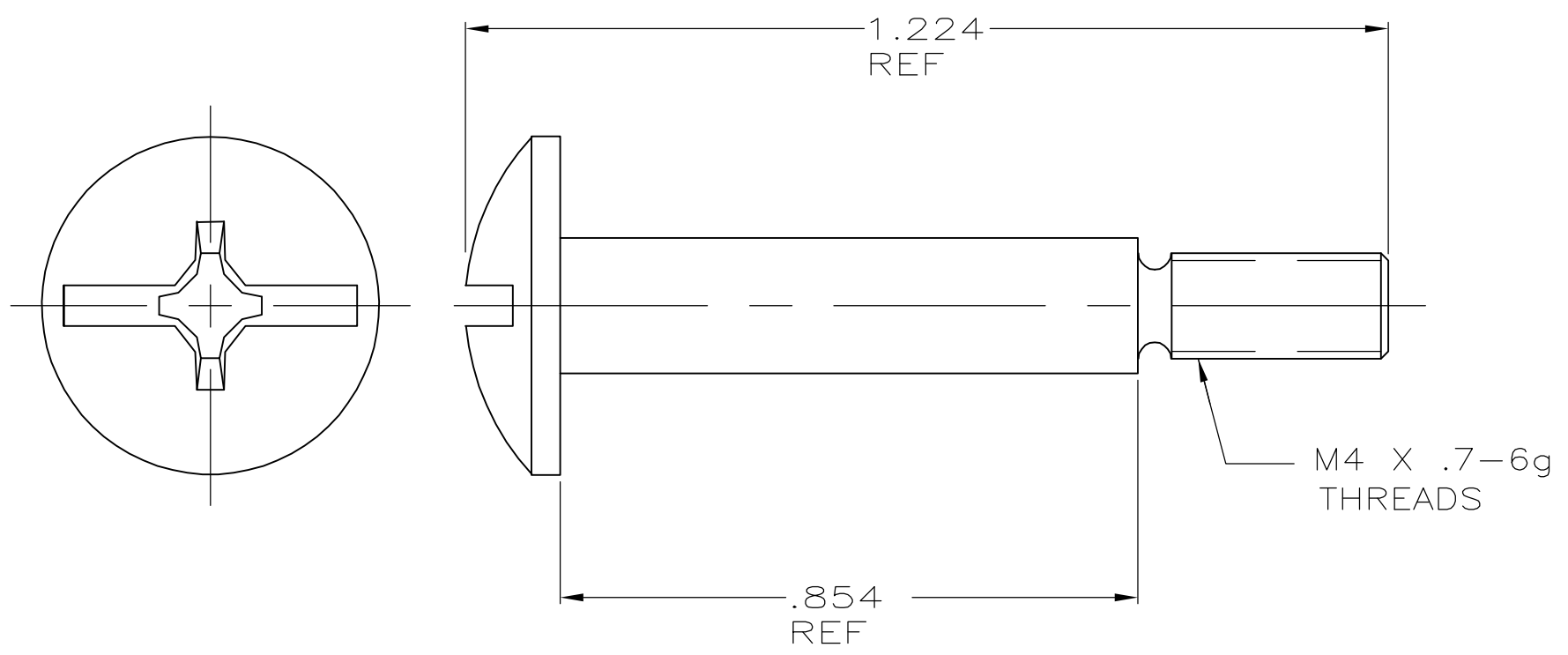
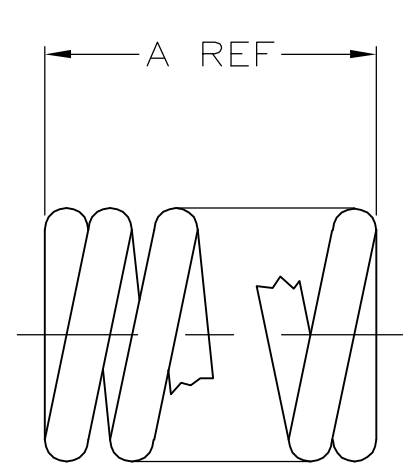


THIS DRAWING IS UNPUBLISHED. RELEASED FOR PUBLICATION  
 © COPYRIGHT BY TYCO ELECTRONICS CORPORATION. ALL RIGHTS RESERVED.

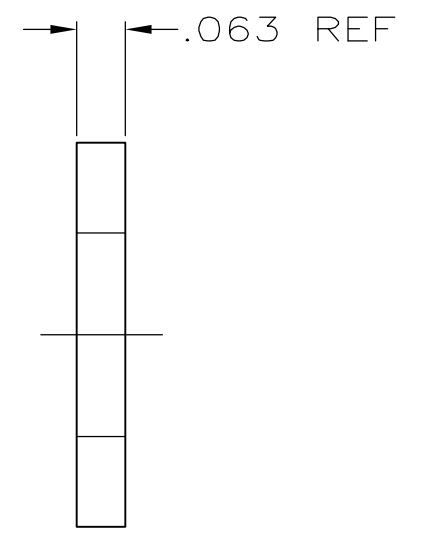
LOC	DIST	REVISIONS			
P	LTR	DESCRIPTION	DATE	DWN	APVD
FT	0				
	F1	REVISED PER ECO-06-15012	6/22/06	SS	GS



SHOULDER SCREW



COMPRESSION SPRING



FLAT WASHER

1. A KIT CONSISTS OF 2 EACH OF EACH PART SHOWN.
- 2 BULK PACKAGED. KITS TO BE ORDERED IN MULTIPLES OF 100.
3. -1 = 50 POSITION  
-2 & -3 = 25 POSITION

OBSOLETE	.375	AS SHOWN	213283-3	2
	.375	AS SHOWN	213283-2	
OBSOLETE	.432	AS SHOWN	213283-1	

A REF	DESCRIPTION	PART NUMBER
-------	-------------	-------------

THIS DRAWING IS A CONTROLLED DOCUMENT.		DWN T.BLACK 29 SEP 86	Tyco Electronics Corporation Harrisburg, PA 17105-3608													
DIMENSIONS: INCHES		CHK B.W.BLAIR 25 MAR 87														
TOLERANCES UNLESS OTHERWISE SPECIFIED:		APVD G.OVER 25 MAR 87	NAME													
<table border="0"> <tr><td>0 PLC</td><td>± -</td></tr> <tr><td>1 PLC</td><td>± -</td></tr> <tr><td>2 PLC</td><td>± -</td></tr> <tr><td>3 PLC</td><td>± -</td></tr> <tr><td>4 PLC</td><td>± -</td></tr> <tr><td>ANGLES</td><td>± -</td></tr> </table>		0 PLC	± -	1 PLC	± -	2 PLC	± -	3 PLC	± -	4 PLC	± -	ANGLES	± -	PRODUCT SPEC	HARDWARE KIT, HIGH DURABILITY DRAWER CONNECTOR	
0 PLC	± -															
1 PLC	± -															
2 PLC	± -															
3 PLC	± -															
4 PLC	± -															
ANGLES	± -															
MATERIAL		APPLICATION SPEC	SIZE	RESTRICTED TO												
FINISH		WEIGHT	A3 00779													
		CUSTOMER DRAWING	C=213283													
		SCALE	SHEET	REV												
		4:1	1 OF 1	F1												