

## UTILITY ENCLOSURES, NEMA 1

PROVIDE EASY MACHINE, DESK-TOP, OR SHELF MOUNTING  
 FOR RLC PANEL MOUNTED COUNTERS & INDICATORS



- HEAVY GAGE STEEL CONSTRUCTION
- ATTRACTIVE COMPACT DESIGN
- READY TO INSTALL PREPUNCHED PANELS
- EASY-TO-ASSEMBLE & WIRE
- REAR KNOCKOUTS FOR CONDUIT OR CABLE

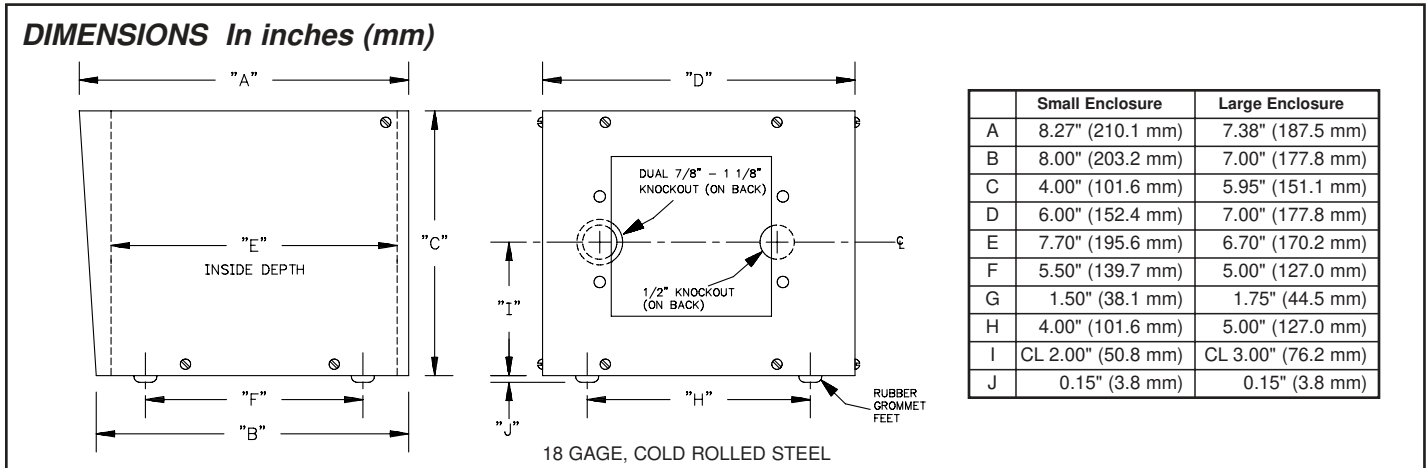
### DESCRIPTION

These easy-to-assemble enclosure kits feature interchangeable prepunched panels which accept most RLC Counters and Indicators without drilling, sawing, punching, or filing. Blank panels are also available for custom applications. (Panels are ordered separately.)

Convenient, 3-piece assembly permits base to be mounted first. Then, the counter or indicator is mounted in the panel and wiring connections made with the unit in-place. Finally, the cover is installed without bending wires or stuffing wires back into the enclosure. Two knockouts on the rear, (one 1/2",

and one dual 7/8" - 1 1/8") accept standard conduit adapters or can be fitted with grommets for flexible cable entry. In most applications, enclosures are roomy enough to allow mounting accessory circuit components such as control relays toward the rear of the case. Rubber grommet feet allow the enclosure to be free standing or base-mounted with through-bolts on a machine frame member or shelf.

Enclosures and panels are coated with a durable flat black polyurethane finish. Hardware includes assembly screws and foot grommets.



### ORDERING INFORMATION

DESCRIPTION	USED WITH	PART NUMBER
<b>SMALL ENCLOSURE KIT (Less Front Panel)</b>	—	ENC10000
Front Panels For Small Encl. #ENC10000		
Blank Panel (No Cut-out)	—	PNL1A000
Panel With Single Cut-out	Models SCP & RMX	PNL1B000
Panel With Single Cut-out	Gemini Series	PNL1C000
Panel With Single Cut-out	Legend & Libra Series	PNL1D000
Panel With Single Cut-out	Lynx Series	PNL1E000
Panel With Single Cut-out	PAX, PAXLite, Apollo & IM Series	PNL1F000
Panel With Single Cut-out	C48/T48	PNL1G000
<b>LARGE ENCLOSURE KIT (Less Front Panel)</b>	—	ENC20000
Front Panels For Lrg. Encl. #ENC20000		
Blank Panel (No Cut-out)	—	PNL2A000
Panel With Single Cut-out	Model SCD	PNL2C000
Panel With Dual Cut-outs (Combination Applications)	(ANY TWO) Models SCP & RMX	PNL2D000