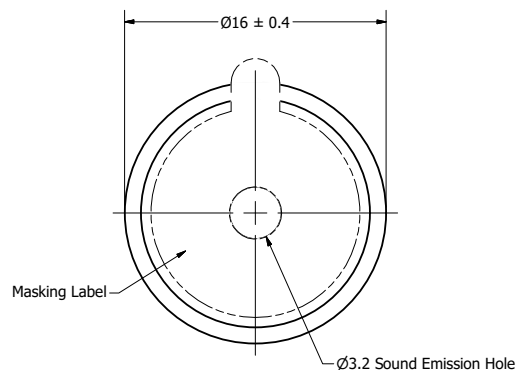
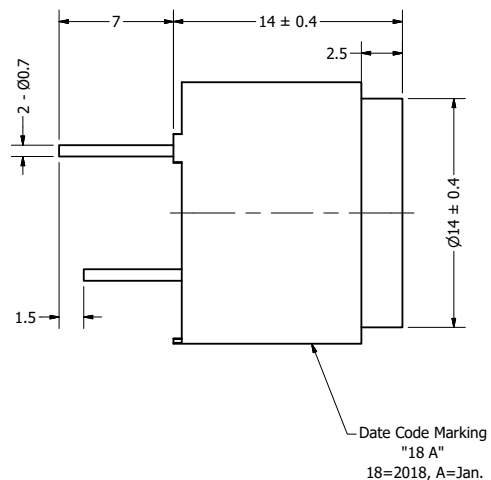


Part Number: IE162306-1	DRAWN CJ	1/4/2018
	CHECKED P.D.	1/10/2018
	APPROVED C.E.	1/10/2018
Description: Electro-Mechanical Indicator		
This document contains data proprietary to DB Unlimited. Any use or reproduction, in any form, without prior written permission of DB Unlimited is prohibited. All terms and conditions can be found at www.dbunlimitedco.com		

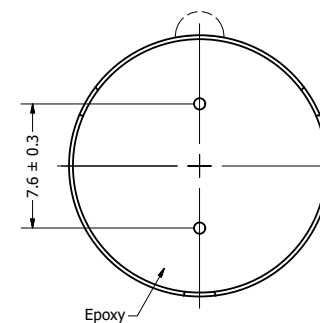
Top View



Side View



Bottom View



Items	Specifications	Conditions	REVISION HISTORY			
Min. Sound Pressure Level	85	dB (@ 10cm)	REV	DESCRIPTION	DATE	APPROVED
Tone	Single		1	Released from Engineering	10/21/2013	J.S.
Resonant Frequency	2,300 ± 300	Hz		Updated voltage range, pin length, weight, storage temp, housing material, drawing template	1/10/2018	C.E.
Rated Voltage	6	V	NOTES			
Voltage Range	3 ~ 8	V				
Max. Rated Current	30	mA	1) All dimensions are in mm unless otherwise noted			
Storage Temperature	-40 ~ +90	°C	2) All tolerances are ± 0.5 mm unless otherwise noted			
Operating Temperature	-40 ~ +85	°C	3) All parts meet RoHS			
Connection Method	PC Pins		4) Subject to change or redrawn without notice			
Mount Type	Thru Hole					
Housing Material	PBT					
Weight	5	g				