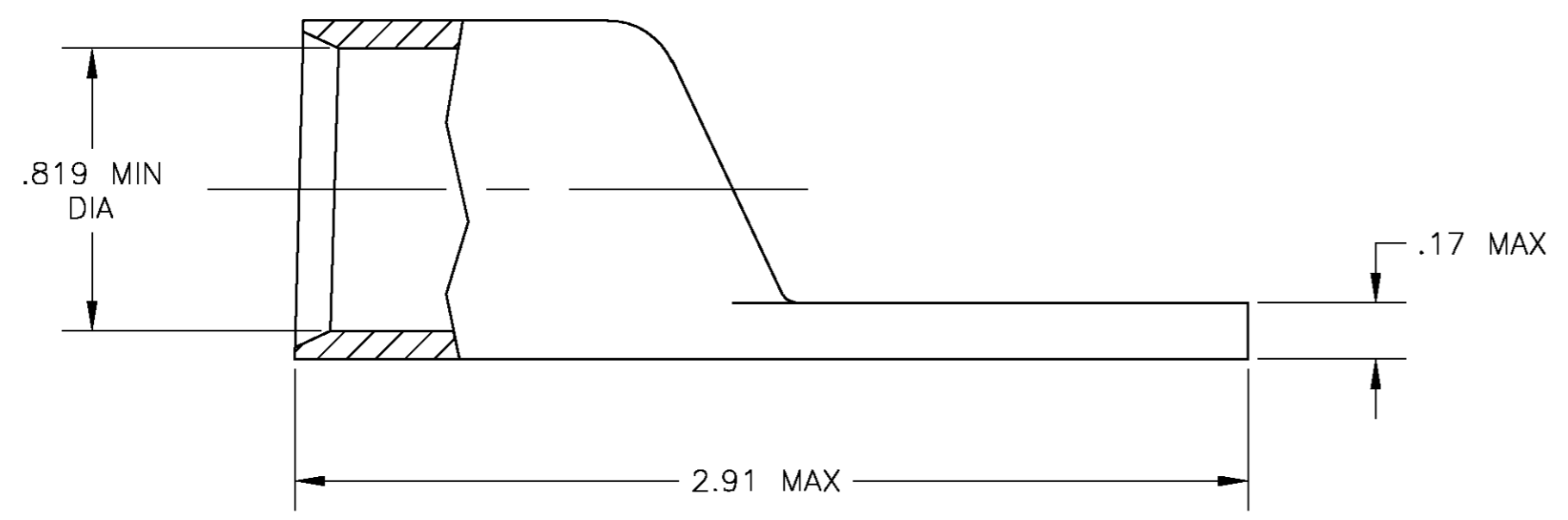
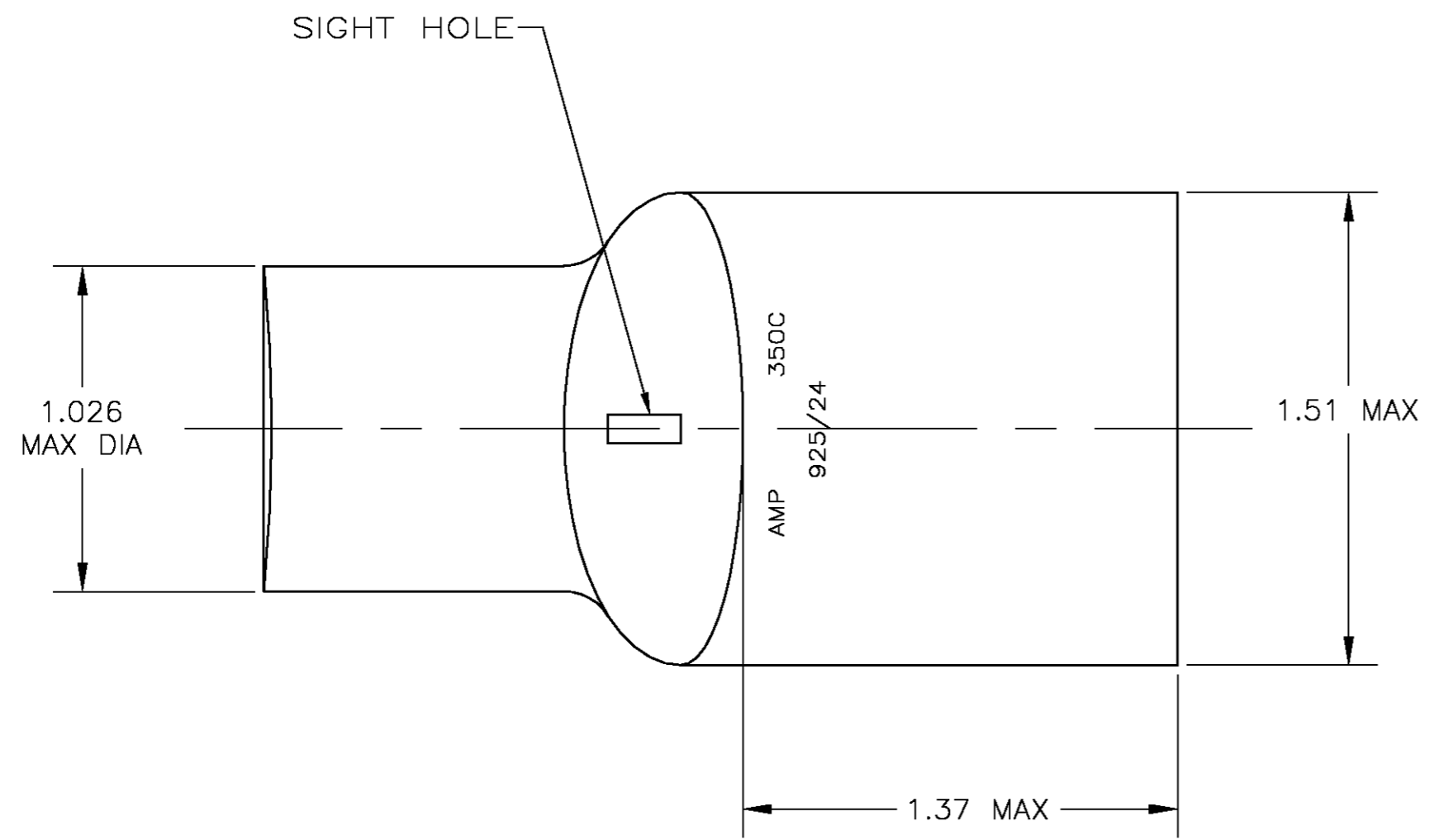


THIS DRAWING IS UNPUBLISHED. RELEASED FOR PUBLICATION
 © COPYRIGHT BY TYCO ELECTRONICS CORPORATION. ALL RIGHTS RESERVED.

LOC	DIST	REVISIONS					
		P	LTR	DESCRIPTION	DATE	DWN	APVD
G	86	N		REV PER 0G3A-0481-03	06AUG03	JR	MS



- 1 CIRCULAR MIL AREA RANGE: 325-375 MCM
- 2 TIN PL .000150 MIN THK PER ASTM B 545
- 3 CLEANED, UNPLATED
- 4 ANNEALED COPPER PER ASTM B-75

3	325906-3
2	325906
FINISH	PART NO.

THIS DRAWING IS A CONTROLLED DOCUMENT.		DWN	DK SCHRUM	03/09/90	Tyco Electronics Corporation Harrisburg, PA 17105	
DIMENSIONS: INCHES		CHK	MS FEHER	23JAN95		
TOLERANCES UNLESS OTHERWISE SPECIFIED:		APVD	M SPICER	23JAN95		
0 PLC ± - 1 PLC ± - 2 PLC ± .020 3 PLC ± - 4 PLC ± - ANGLES ± - FINISH SEE TABLE		PRODUCT SPEC	108-30200	NAME		TERMINAL, AMPOWER, WIRE SIZE: 350 MCM
MATERIAL	COPPER 4	WEIGHT	.207 LB	SIZE	A2	
		CUSTOMER DRAWING	SCALE	2:1	CAGE CODE	00779
				DRAWING NO	C=325906	
				RESTRICTED TO	-	
				SCALE	2:1	
				SHEET	1 OF 1	
				REV	N	

325906