

ME-IO 18,8 B/FE 5/9U TBUS 7035 - Mounting base housing



2201962

<https://www.phoenixcontact.com/us/products/2201962>

Please be informed that the data shown in this PDF document is generated from our online catalog. Please find the complete data in the user documentation. Our general terms of use for downloads are valid.



DIN rail housing, Lower housing part, with metal foot catch, with functional ground contact, with 5U Lock and Release system, with vents, width: 18.9 mm, height: 109.6 mm, depth: 64.3 mm, color: light grey (7035), cross connection: DIN rail connector (optional), number of positions cross connector: 5

Your advantages

- Easy, tool-free mounting
- Optional DIN rail connector for easy module-to-module communication
- Lock and Release principle for automatic latching and intuitive release of the front connection plug
- Plastic in accordance with UL94 V0: for more rigorous flammability requirements
- Integrated FE contact for simple electromagnetically compatible installation
- L-design: ideal for flush integration of standard interfaces such as RJ45

Commercial data

Item number	2201962
Packing unit	1 pc
Minimum order quantity	10 pc
Note	Made to order (non-returnable)
Sales key	AC15
Product key	ACHEBA
Catalog page	Page 34 (NTK-2014)
GTIN	4046356946452
Weight per piece (including packing)	35.36 g
Weight per piece (excluding packing)	35.36 g
Customs tariff number	85389099
Country of origin	DE

ME-IO 18,8 B/FE 5/9U TBUS 7035 - Mounting base housing



2201962

<https://www.phoenixcontact.com/us/products/2201962>

Technical data

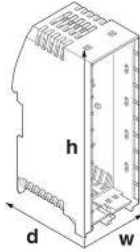
Notes

General	Refer to the data sheet for the range in the download area.
General	Material of contact pads for bus connector, galvanic gold (hard gold)

Product properties

Max. number of positions	20 (pitch: 5 mm) 30 (pitch: 3.45 mm)
Type	Lower housing part, with metal foot catch, with functional ground contact, with 5U Lock and Release system
Housing type	DIN rail housing
Ventilation openings present	yes

Dimensions

Dimensional drawing	
Width	18.9 mm
Height	109.6 mm
Depth	64.3 mm
Depth from top edge of DIN rail	57.7 mm

Material specifications

Color	light grey (7035)
Flammability rating according to UL 94	V0
Housing material	Polyamide

Environmental and real-life conditions

Ambient conditions

Max. IP code to attain	IP20
Ambient temperature (operation)	-40 °C ... 105 °C (depending on power dissipation)
Ambient temperature (storage/transport)	-40 °C ... 55 °C
Ambient temperature (assembly)	-5 °C ... 100 °C
Relative humidity (storage/transport)	80 %

PCB data

Number of PCB holders	1
-----------------------	---

ME-IO 18,8 B/FE 5/9U TBUS 7035 - Mounting base housing



2201962

<https://www.phoenixcontact.com/us/products/2201962>

Type of PCB mount	Latching
-------------------	----------

Mounting

Mounting type	DIN rail mounting
Mounting position	Vertical (horizontal DIN rail)

Packaging specifications

Type of packaging	packed in cardboard
Outer packaging type	Carton

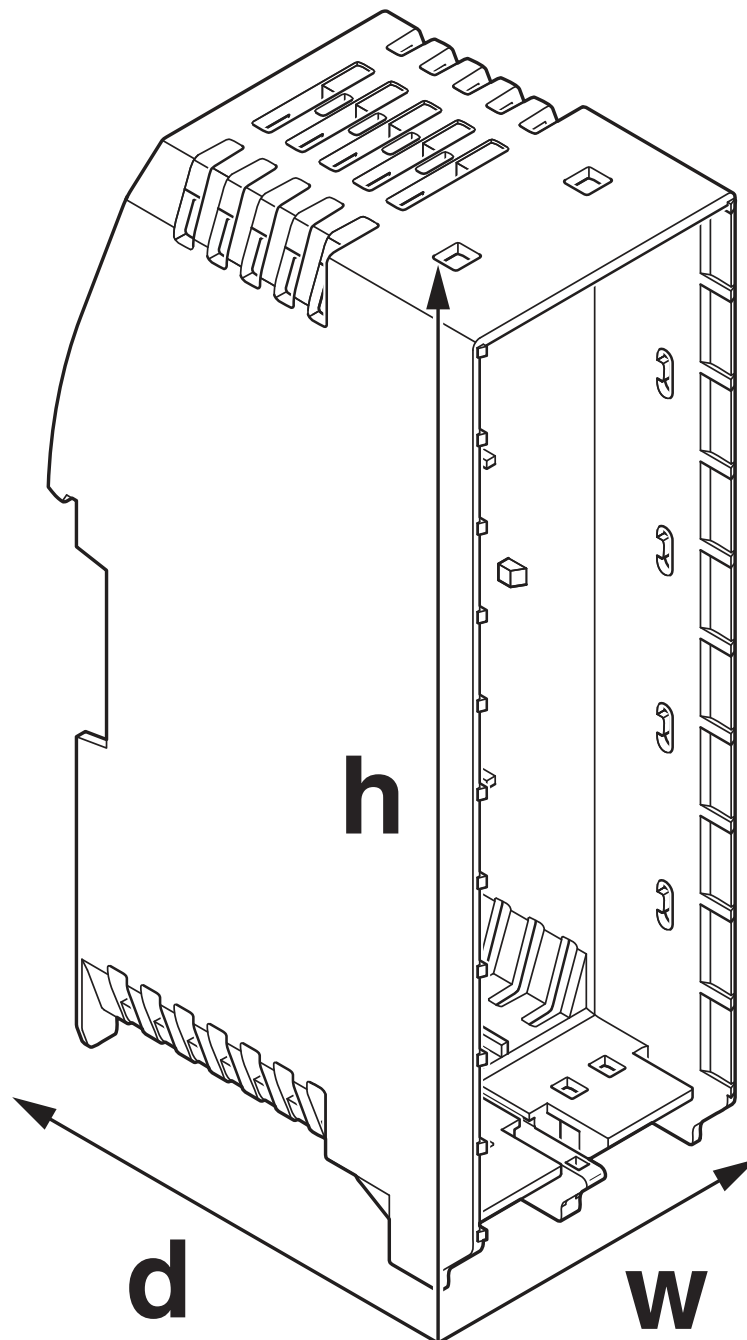
ME-IO 18,8 B/FE 5/9U TBUS 7035 - Mounting base housing

2201962

<https://www.phoenixcontact.com/us/products/2201962>

Drawings

Dimensional drawing

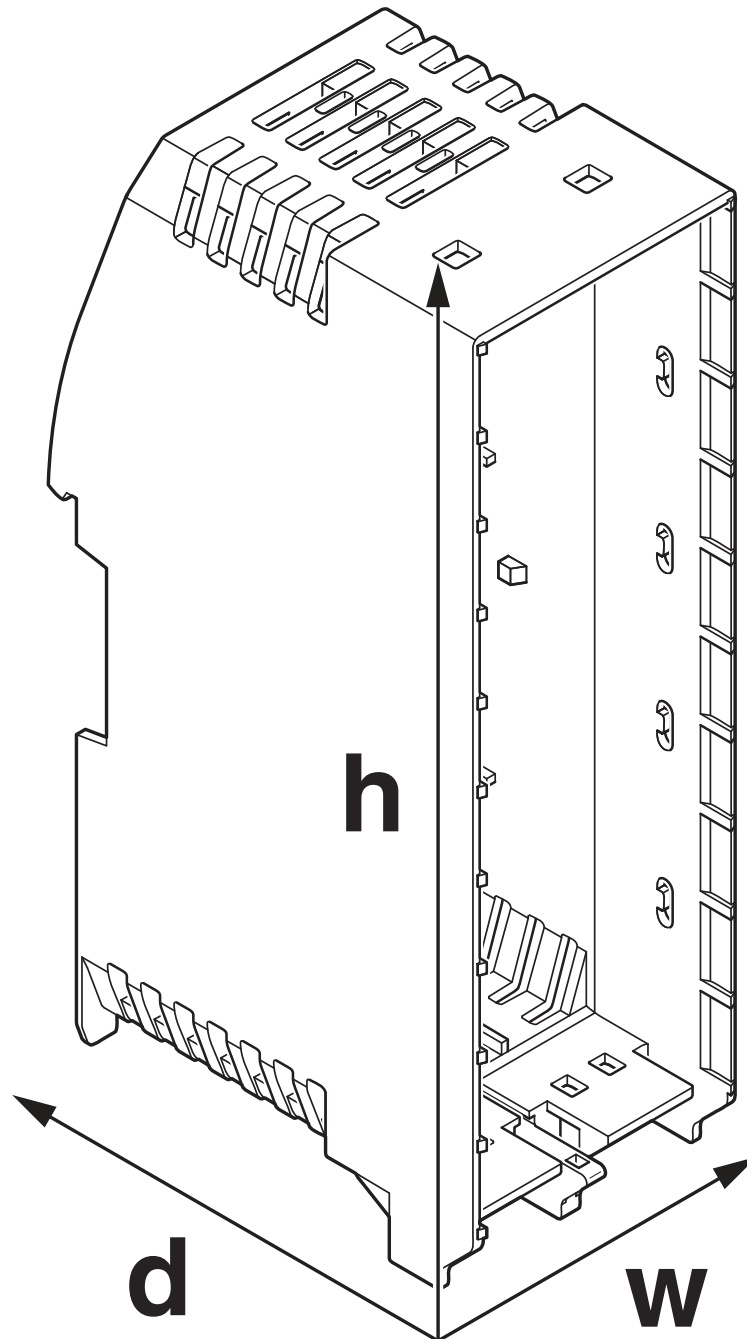


ME-IO 18,8 B/FE 5/9U TBUS 7035 - Mounting base housing

2201962

<https://www.phoenixcontact.com/us/products/2201962>

Dimensional drawing



Schematic figure for illustrating the item dimensions. The figure is not of the desired product. For further details, refer to the product drawings in the "Downloads" tab.

ME-IO 18,8 B/FE 5/9U TBUS 7035 - Mounting base housing



2201962

<https://www.phoenixcontact.com/us/products/2201962>

Classifications

ECLASS

ECLASS-11.0

27182702

ETIM

ETIM 7.0

EC001031

UNSPSC

UNSPSC 21.0

31261501

ME-IO 18,8 B/FE 5/9U TBUS 7035 - Mounting base housing



2201962

<https://www.phoenixcontact.com/us/products/2201962>

Environmental product compliance

China RoHS	Environmentally friendly use period: unlimited = EFUP-e
	No hazardous substances above threshold values

ME-IO 18,8 B/FE 5/9U TBUS 7035 - Mounting base housing

2201962

<https://www.phoenixcontact.com/us/products/2201962>

Mandatory accessories

HSCH 2,5-3U/12 9005 - PCB header

2201788

<https://www.phoenixcontact.com/us/products/2201788>



PCB headers, nominal cross section: 2.5 mm², color: black, nominal current: 8 A, rated voltage (III/2): 320 V, contact surface: Tin, contact connection type: Pin, number of potentials: 12, number of rows: 2, number of positions: 12, number of connections: 12, product range: HSCH 2,5/..-G, pitch: 5 mm, mounting: Wave soldering, pin layout: Linear pinning, solder pin [P]: 3.8 mm, number of solder pins per potential: 1, plug-in system: HSC 2,5, Pin connector pattern alignment: Standard, locking: without, mounting: without, type of packaging: packed in cardboard

HSCH 2,5-2U/ 8 9005 - PCB header

2201789

<https://www.phoenixcontact.com/us/products/2201789>



PCB headers, nominal cross section: 2.5 mm², color: black, nominal current: 8 A, rated voltage (III/2): 320 V, contact surface: Tin, contact connection type: Pin, number of potentials: 8, number of rows: 2, number of positions: 8, number of connections: 8, product range: HSCH 2,5/..-G, pitch: 5 mm, mounting: Wave soldering, pin layout: Linear pinning, solder pin [P]: 3.8 mm, number of solder pins per potential: 1, plug-in system: HSC 2,5, Pin connector pattern alignment: Standard, locking: without, mounting: without, type of packaging: packed in cardboard

ME-IO 18,8 B/FE 5/9U TBUS 7035 - Mounting base housing

2201962

<https://www.phoenixcontact.com/us/products/2201962>

HSCH 2,5-2U-TTTT 9005 - PCB header

2201790

<https://www.phoenixcontact.com/us/products/2201790>



PCB headers, nominal cross section: 2.5 mm², color: black, nominal current: 8 A, rated voltage (III/2): 320 V, contact surface: Tin, contact connection type: Pin, number of potentials: 4, number of rows: 2, number of positions: 4, number of connections: 4, product range: HSCH 2,5/..-G, pitch: 5 mm, mounting: Wave soldering, pin layout: Linear pinning, solder pin [P]: 3.8 mm, number of solder pins per potential: 1, plug-in system: HSC 2,5, Pin connector pattern alignment: Standard, locking: without, mounting: without, type of packaging: packed in cardboard, Partially assembled version

HSCH 2,5-2U-2220 9005 - PCB header

2201792

<https://www.phoenixcontact.com/us/products/2201792>



PCB headers, nominal cross section: 2.5 mm², color: black, nominal current: 8 A, rated voltage (III/2): 320 V, contact surface: Tin, contact connection type: Pin, number of potentials: 6, number of rows: 2, number of positions: 6, number of connections: 6, product range: HSCH 2,5/..-G, pitch: 5 mm, mounting: Wave soldering, pin layout: Mixed pinning, solder pin [P]: 3.8 mm, number of solder pins per potential: 1, plug-in system: HSC 2,5, Pin connector pattern alignment: Standard, locking: without, mounting: without, type of packaging: packed in cardboard, Partially assembled version

ME-IO 18,8 B/FE 5/9U TBUS 7035 - Mounting base housing

2201962

<https://www.phoenixcontact.com/us/products/2201962>

HSC-LR 5U KIT 2003 - Locking

2201796

<https://www.phoenixcontact.com/us/products/2201796>



DIN rail housing, 5U, Lock and Release system, width: 16.1 mm, height: 67.95 mm, depth: 8.8 mm, color: orange (2003)

HSC-LR 3U KIT 2003 - Locking

2201797

<https://www.phoenixcontact.com/us/products/2201797>



DIN rail housing, 3U, Lock and Release system, width: 16.1 mm, height: 45.95 mm, depth: 8.8 mm, color: orange (2003)

ME-IO 18,8 B/FE 5/9U TBUS 7035 - Mounting base housing

2201962

<https://www.phoenixcontact.com/us/products/2201962>

HSC-LR 7U KIT 2003 - Locking

2201795

<https://www.phoenixcontact.com/us/products/2201795>



DIN rail housing, 7U, Lock and Release system, width: 16.1 mm, height: 89.95 mm, depth: 8.8 mm, color: orange (2003)

HSC-LR 9U KIT 2003 - Locking

2201794

<https://www.phoenixcontact.com/us/products/2201794>



DIN rail housing, 9U, Lock and Release system, width: 16.1 mm, height: 111.8 mm, depth: 8.8 mm, color: orange (2003)

Accessories

ME-IO 18,8 B/FE 5/9U TBUS 7035 - Mounting base housing



2201962

<https://www.phoenixcontact.com/us/products/2201962>

ME-IO 18,8 C 5U 7035 - Housing cover

2201803

<https://www.phoenixcontact.com/us/products/2201803>



DIN rail housing, 5U, Housing cover, width: 18.9 mm, height: 54.8 mm, depth: 26 mm, color: light grey (7035)

ME-IO 18,8 C 7U 7035 - Housing cover

2201805

<https://www.phoenixcontact.com/us/products/2201805>



DIN rail housing, 7U, Housing cover, width: 18.9 mm, height: 76.8 mm, depth: 26 mm, color: light grey (7035)

ME-IO 18,8 B/FE 5/9U TBUS 7035 - Mounting base housing



2201962

<https://www.phoenixcontact.com/us/products/2201962>

ME-IO 18,8 C 3U S1 7035 - Housing cover

2201801

<https://www.phoenixcontact.com/us/products/2201801>



DIN rail housing, 3U, Housing cover, width: 18.9 mm, height: 32.8 mm, depth: 26 mm, color: light grey (7035)

ME-IO 18,8 C 4U 7035 - Housing cover

2201802

<https://www.phoenixcontact.com/us/products/2201802>



DIN rail housing, 4U, Housing cover, width: 18.9 mm, height: 43.8 mm, depth: 26 mm, color: light grey (7035)

ME-IO 18,8 B/FE 5/9U TBUS 7035 - Mounting base housing



2201962

<https://www.phoenixcontact.com/us/products/2201962>

ME-IO 18,8 C 6U 7035 - Housing cover

2201804

<https://www.phoenixcontact.com/us/products/2201804>



DIN rail housing, 6U, Housing cover, width: 18.9 mm, height: 65.8 mm, depth: 26 mm, color: light grey (7035)

ME-IO 18,8 C 2U 7035 - Housing cover

2201799

<https://www.phoenixcontact.com/us/products/2201799>



DIN rail housing, 2U, Housing cover, width: 18.9 mm, height: 21.8 mm, depth: 26 mm, color: light grey (7035)

ME-IO 18,8 B/FE 5/9U TBUS 7035 - Mounting base housing



2201962

<https://www.phoenixcontact.com/us/products/2201962>

ME-IO 18,8 C 3U 7035 - Housing cover

2201800

<https://www.phoenixcontact.com/us/products/2201800>



DIN rail housing, 3U, Housing cover, width: 18.9 mm, height: 32.8 mm, depth: 26 mm, color: light grey (7035)

ME-IO 18,8 C 9U 7035 - Housing cover

2201806

<https://www.phoenixcontact.com/us/products/2201806>



DIN rail housing, 9U, Housing cover, width: 18.9 mm, height: 98.8 mm, depth: 26 mm, color: light grey (7035)

ME-IO 18,8 B/FE 5/9U TBUS 7035 - Mounting base housing



2201962

<https://www.phoenixcontact.com/us/products/2201962>

ME 18,8 TBUS 1,5/5-ST-3,81KMGY - DIN rail bus connectors

2201813

<https://www.phoenixcontact.com/us/products/2201813>



DIN rail connector, color: light grey, nominal current: 8 A (parallel contacts), rated voltage (III/2): 125 V, contact surface: Gold, number of positions: 5, pitch: 3.81 mm, mounting: DIN rail mounting, locking: without, mounting: without, type of packaging: packed in cardboard, Item with gold-plated contacts, bus connectors for connecting with electronics housings, 5 parallel contacts

Phoenix Contact 2023 © - all rights reserved

<https://www.phoenixcontact.com>

Phoenix Contact USA
586 Fulling Mill Road
Middletown, PA 17057, United States
(+717) 944-1300
info@phoenixcon.com