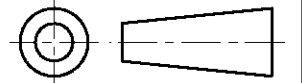


DO NOT SCALE
DIMENSIONS IN mm

METRIC

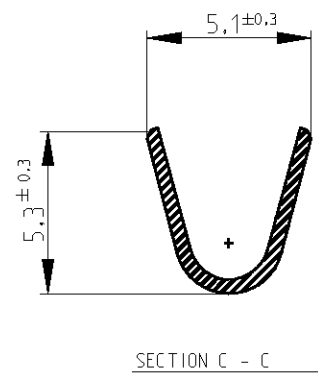
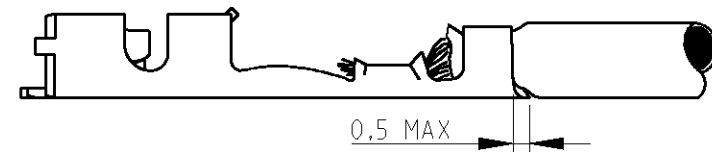
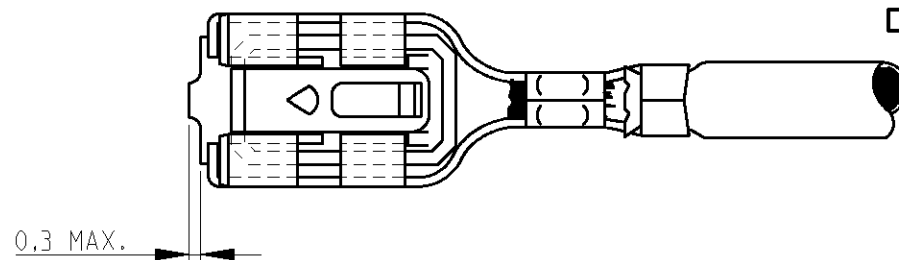
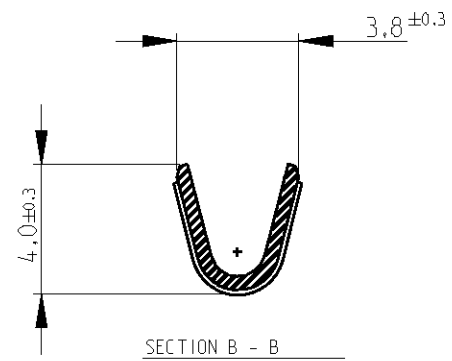
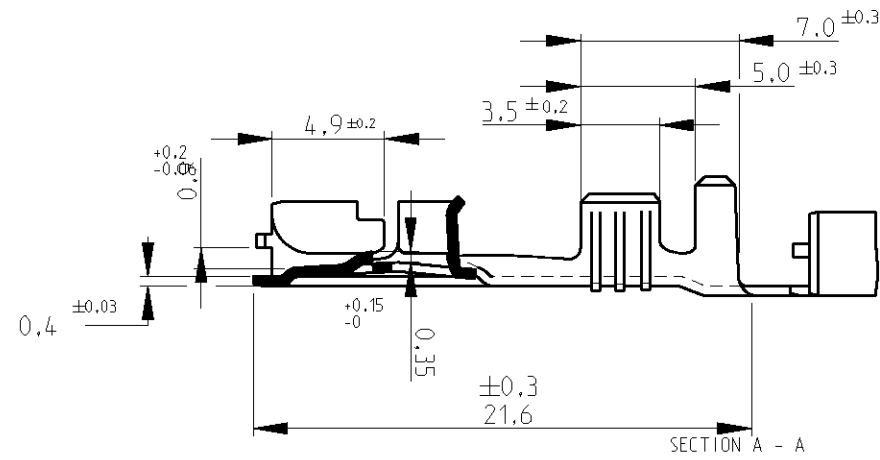
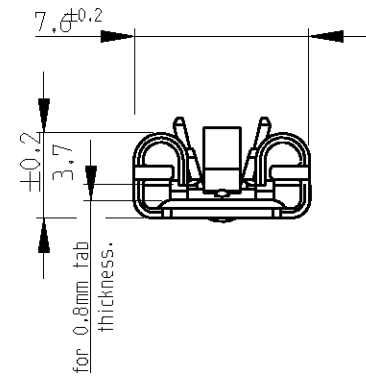
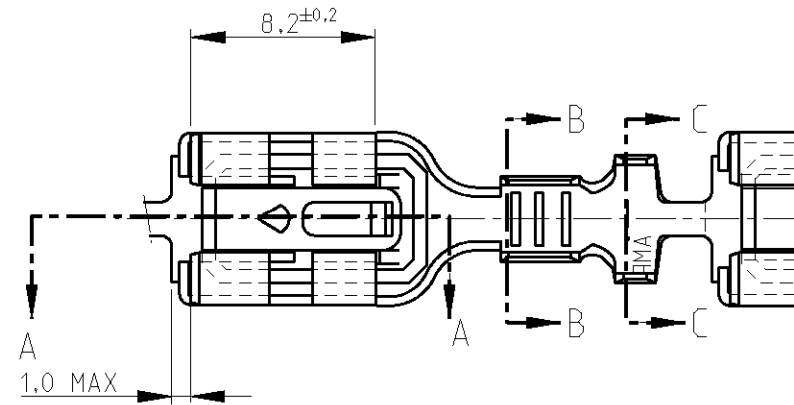
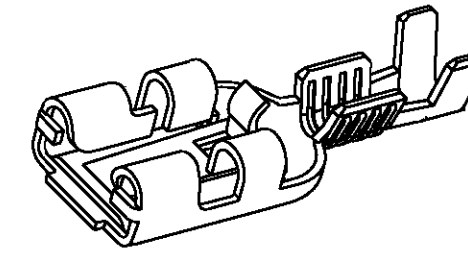
THIRD ANGLE
PROJECTION



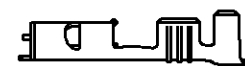
NOTES :

- FOR USE ON MINI HD APPLICATOR (LEFT - RIGHT FEED).
- TINPLATING THICKNESS .000080 MIN - .000400 MAX. (INCH).
- MATERIAL PH.BRONZE ACC. AMP-SPEC 100-221.

4 OBSOLETE PARTS: OBSOLETE CIS STREAMLINING
PER D.RENAUD/D.SINISI



DIRECTION OFF TOP OF REEL



107 - 3 FIG 6.

WIRE RANGE :
>1.0-2.5 mm²
INSULATION RANGE :
2.1-3.1 DIA.

WIRE	CRIMP HEIGHT	CRIMP WIDTH
1.5mm ²	1.76mm	.110 'F'
2.0mm ²	1.90mm	.110 'F'
2.5mm ²	2.04mm	.110 'F'

4	100016-4	PRE-TINPLATED	PH.BRONZE	216330-4
4	100016-3	SILVERPLATED	PH.BRONZE	216330-3
	100016-2	TINPLATED	PH.BRONZE	216330-2
	100016-1	UNPLATED	PH.BRONZE	216330-1
	LOOSE PIECE NR.	FINISH	MATERIAL	PARTNUMBER

-	-	-	-	-	CUSTOMER DRAWING		FOR REFERENCE ONLY WILL NOT BE UPDATED
-	-	-	-	-	© COPYRIGHT 19 - BY Tyco. ELECTRONICS AMP ESPAÑOLA S.A ALL INTERNATIONAL RIGHTS RESERVED. AMP PRODUCTS MAY BE COVERED BY U.S. AND FOREIGN AND/OR PATENTS PENDING.		
A1	REVISED PER ECO-09-025714	KK	AEG	DEC09	tyco Tyco Electronics AMP Española S.A. BARCELONA / ESPAÑA		
A	REVISED PER EC ES00-0029-03	J.L	J.L	28FEB03	NAME		
0	EH-0285-94	JvL	HvdS	26-04-94	.250 L.I.F. AUTOMOTIVE POS. LOCK REC. MKII		
LTR.	REVISION RECORD	DR.	CHK.	DATE	DWG.No. C-216330		
DR.:	J.v.LIEMPT	CHK.:	H.v.d.STEEN	APP.:	L.v.SOEST	REV.LTR.	SHEET
DATE:	26 APR 94	DATE:	-	DATE:	-	A1	1 OF 1
							A3