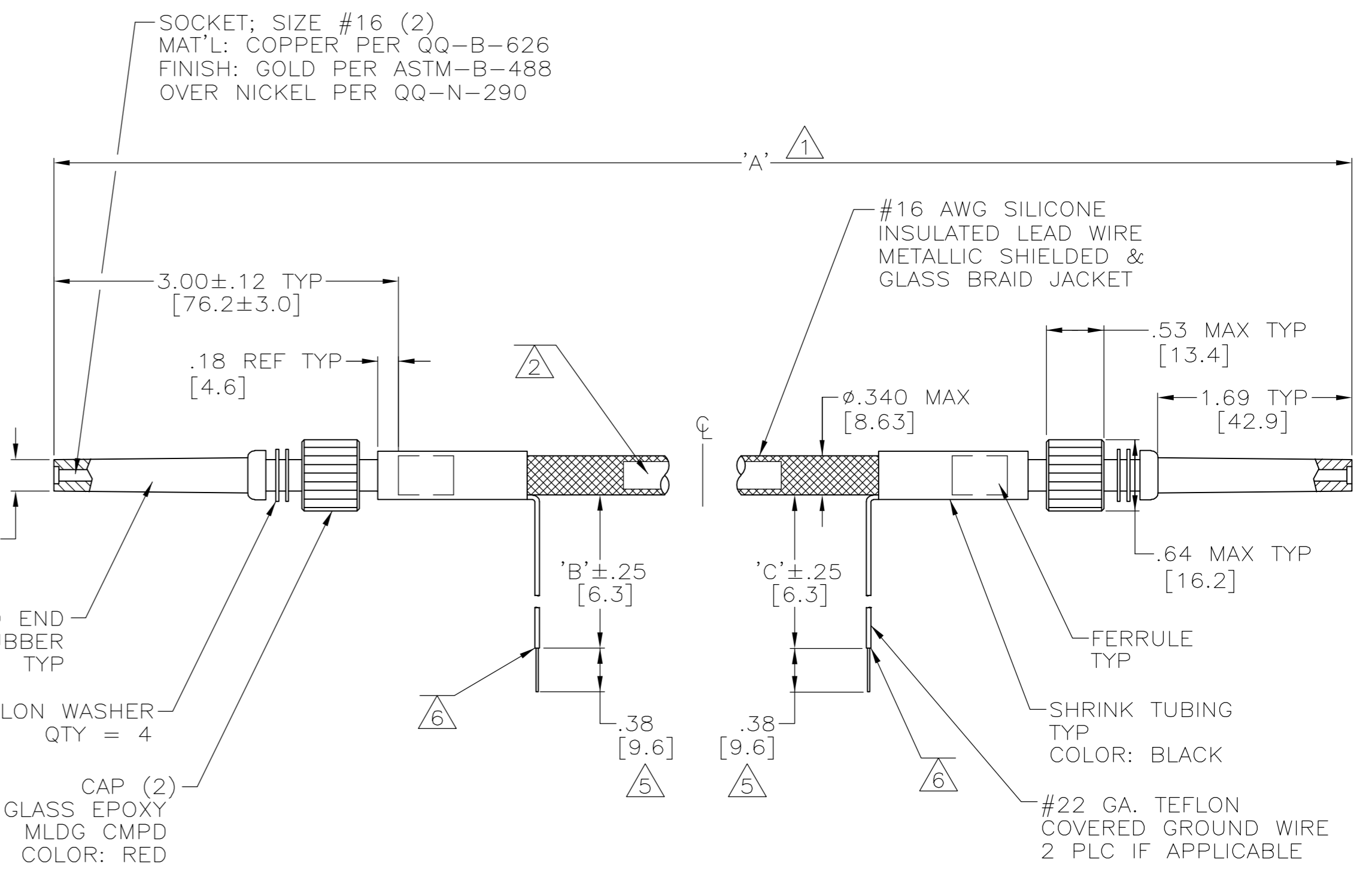


THIS DRAWING IS UNPUBLISHED. RELEASED FOR PUBLICATION - N/A .  
 © COPYRIGHT N/A BY TYCO ELECTRONICS CORPORATION. ALL RIGHTS RESERVED.

LOC	DIST	REVISIONS					
DF	SO	P	LTR	DESCRIPTION	DATE	DWN	APVD
		U		REV PER ECO-05-002582	06-05	AA	DE

PART NO.	A	B	C	REMARKS
849616-1	96.00 [2438.4]	-	-	OBSOLETE
849616-2	72.00 [1828.8]	-	-	OBSOLETE
849616-3	348.00 [8839.2]	6.00 [152.4]	-	OBSOLETE
849616-4	246.00 [6248.4]	6.00 [152.4]	-	OBSOLETE
849616-5	360.00 [9144.0]	6.00 [152.4]	-	OBSOLETE
849616-6	300.00 [7620.0]	8.00 [203.2]	8.00 [203.2]	OBSOLETE
849616-7	12.00 [304.8]	6.00 [152.4]	-	△5
849616-8	120.00 [3048.0]	8.00 [203.2]	8.00 [203.2]	OBSOLETE
849616-9	144.00 [3657.6]	8.00 [203.2]	8.00 [203.2]	OBSOLETE
1-849616-0	36.00 [914.4]	8.00 [203.2]	8.00 [203.2]	
1-849616-1	96.00 [2438.4]	8.00 [203.2]	8.00 [203.2]	OBSOLETE
1-849616-2	96.00 [2438.4]	-	-	OBSOLETE
1-849616-3	72.00 [1828.8]	12.00 [304.8]	12.00 [304.8]	OBSOLETE
1-849616-4	180.00 [4572.0]	8.00 [203.2]	8.00 [203.2]	OBSOLETE
1-849616-5	18.00 [457.2]	12.00 [304.8]	12.00 [304.8]	OBSOLETE
1-849616-6	8.50 [215.9]	12.00 [304.8]	12.00 [304.8]	OBSOLETE
1-849616-7	1440.00 [36576.0]	12.00 [304.8]	12.00 [304.8]	OBSOLETE
1-849616-8	720.00 [18288.0]	12.00 [304.8]	12.00 [304.8]	OBSOLETE
1-849616-9	900.00 [22860.0]	12.00 [304.8]	12.00 [304.8]	OBSOLETE
2-849616-0	1080.00 [27432.0]	12.00 [304.8]	12.00 [304.8]	OBSOLETE
2-849616-1	30.00 [762.0]	12.00 [304.8]	12.00 [304.8]	OBSOLETE
2-849616-2	60.00 [1524.0]	12.00 [304.8]	12.00 [304.8]	△5
2-849616-3	128.00 [3251.2]	12.00 [304.8]	12.00 [304.8]	△5
2-849616-4	134.00 [3403.6]	12.00 [304.8]	12.00 [304.8]	OBSOLETE
2-849616-5	132.00 [3352.8]	12.00 [304.8]	12.00 [304.8]	OBSOLETE
2-849616-6	120.00 [3048.0]	12.00 [304.8]	12.00 [304.8]	OBSOLETE
2-849616-7	101.00 [2565.4]	12.00 [304.8]	12.00 [304.8]	OBSOLETE
2-849616-8	150.00 [3810.0]	12.00 [304.8]	12.00 [304.8]	OBSOLETE
2-849616-9	20.00 [508.0]	8.00 [203.2]	-	OBSOLETE
3-849616-0	24.00 [609.6]	6.00 [152.4]	6.00 [152.4]	△5
7-849616-2	60.00 [1524.0]	12.00 [304.8]	12.00 [304.8]	△6

- △1 TOLERANCE OF LEAD LENGTH:  
UP TO 24 INCHES [609.6] = ±.12 [3.0]  
24 INCHES [609.6] & UP = 1%
- △2 MARKED PER MIL-STD-130.
- 3. TO MATE WITH AMP LGH-1L  
RECEPTACLE WITH 1.69 [42.9] BARREL DEPTH.
- 4. OPERATING VOLTAGE: 25 KVDC AT 0 TO 70,000  
FEET, -55°C TO 125°C.
- △5 PIGTAIL SOLDER DIPPED.
- △6 INSULATION CUT TO LENGTH, BUT NOT REMOVED.



THIS DRAWING IS A CONTROLLED DOCUMENT.		DWN C.C.THOMAS 25-MAR-90	 Tyco Electronics Corporation Harrisburg, Pa 17105-3608											
DIMENSIONS: INCHES		CHK D. EABY 28-MAR-90												
TOLERANCES UNLESS OTHERWISE SPECIFIED:		APVD D. EABY 28-MAR-90												
<table border="1"> <tr><td>0 PLC</td><td>± -</td></tr> <tr><td>1 PLC</td><td>± -</td></tr> <tr><td>2 PLC</td><td>± .02 [0.5]</td></tr> <tr><td>3 PLC</td><td>± -</td></tr> <tr><td>4 PLC</td><td>± -</td></tr> <tr><td>ANGLES</td><td>± -</td></tr> </table>		0 PLC		± -	1 PLC	± -	2 PLC	± .02 [0.5]	3 PLC	± -	4 PLC	± -	ANGLES	± -
0 PLC	± -													
1 PLC	± -													
2 PLC	± .02 [0.5]													
3 PLC	± -													
4 PLC	± -													
ANGLES	± -													
MATERIAL SEE CALLOUTS	FINISH SEE CALLOUTS	PRODUCT SPEC APPLICATION SPEC	LEAD ASSEMBLY DBL END, LGH-1L SHIELDED & GLASS BRAID											
CUSTOMER DRAWING		WEIGHT -	SIZE A2 CAGE CODE 00779 DRAWING NO C=849616 RESTRICTED TO -											
SCALE 1:1		SHEET 1 OF 1	REV U											