



REED SWITCH DEVELOPMENTS CORP.

2524 Norwood Court
Racine, WI 53403
Ph: (262)883-9060

sales@reedswitchdevelopments.com

SPECIFICATION SHEET

2501-1960-400

Alternate Part Number:
AM2501-1960-10K01

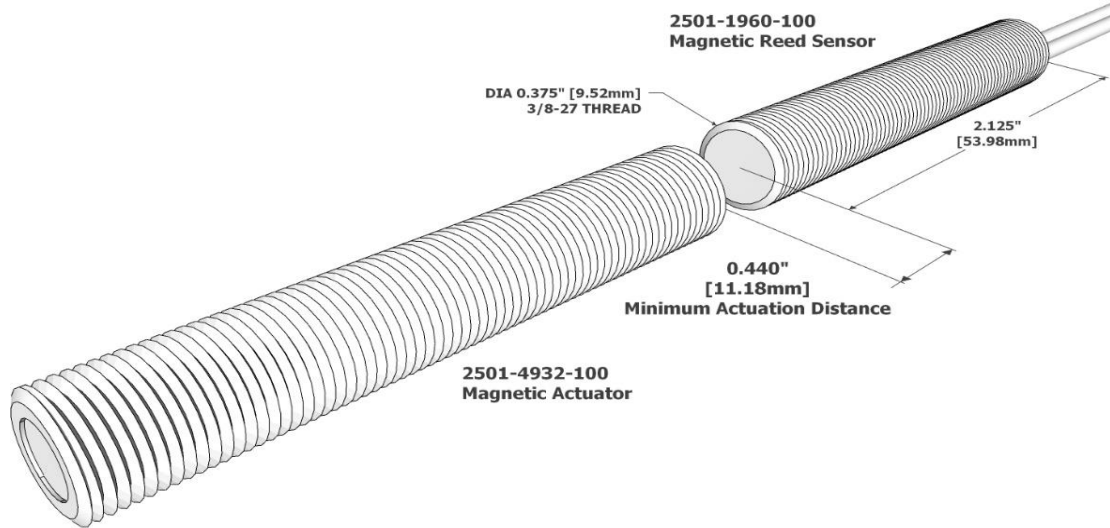
Active / Equivalent Part Numbers:

- 2501-1960-400 - KIT - Contains**
 (1) 2501-1960-100 - Magnetic Reed Sensor
 (1) 2501-4932-000 - Magnetic Actuator
AM2501-1960-10K01 - KIT - Contains
 (1) AM2501-1960-10-01 - Magnetic Reed Sensor
 (1) AM2501-4932-00-01 - Magnetic Actuator

Sensor (Reed) - Specifications 1960

Physical		Operating		Electrical	
Configuration	SPST	Pull in (+/- 2AT)*	35 - 40	DC Contact Rating	60 W
Form	A	Drop out*	15	AC Contact Rating	60 VA
Contact Position	CENTER	Operate Time	2.50	DC Switching Voltage	400 VDC
Glass L	24.50 mm	Bounce Time	0.50	AC Switching Voltage	400 VAC
Glass D	3.80 mm	Release Time	0.10	DC Switching Current	3.00 A
Total L*	55.00 mm	Resonant Frequency	2400	AC Switching Current	3.00 A
Wire D	0.80 mm	Max Operating Frequency	200	DC Max Carry Current	4.00 A
Gap Location	CENTER	Operating Temperature Range	-40 - 105 °C	AC Max Carry Current	4.00 A
Mount Spec*	THRU	Storage Temperature	N/A °C	Min Breakdown Voltage	1000 VDC
Contact Material	RHODIUM	Max Vibration Resistance	35 G	Max Initial Contact Resistance	80 mOhm
Max Shock Resistance (11ms)	50 G	Lead Tensile Strength	N/A KG	Typical Initial Contact Resistance	N/A mOhm
Max Vibration Resistance	35 G			Max Contact Capacitance	0.50 pF
Lead Tensile Strength	N/A KG			Min Insulation Resistance	10 ¹¹ Ohm

* Pre-processed, bare reed element



All measurements are in Inches [millimeters]

Sensor - Wire/Cable Characteristics (cont.)

Type	Wire
Conductor Count	2
Length	18.0"/457.2mm
Colors	BLK
Insulation Material	PVC
Gauge	22 AWG
Stranded Copper	7 STR-TC
Maximum Temp	105°C

Housing Characteristics 2501

Cylindrical Threaded (3/8-27)	
Length / Thickness	2.125"/53.98mm
Diameter	0.375"/9.53mm
Material	Aluminum

Standard Actuator: 2501-4932-000

Specifications	Description	UM
Magnetic Orientation	Through Length	
Max Operating Temp.	210/100	°F/°C
Curie Temp.	590/310	°F/°C
BR max	12.2	kGauss
BH max	35	MGOe
Coercive Force Hc	11.5	kOe
Intrinsic Coercive Force Hci	18	kOe
Standard Sensor/Actuator - Min. Actuation Distance		
2501-4932-000	0.44"/11.2mm	
Assembly Certifications		
UL Recognized (File #: E102207)	Y	
RoHS / Reach Compliant	Y	
Conflict Free Material	Y	

REV DATE: 10/06/2021

DISCLAIMER NOTICE: INFORMATION FURNISHED IS PROPRIETARY, AND IS BELIEVED TO BE ACCURATE AND RELIABLE, AND IS SUBJECT TO CHANGE WITHOUT NOTICE. IT SHALL BE THE RESPONSIBILITY OF THE BUYER TO ENSURE THAT THE GOODS ARE SUFFICIENT AND SUITABLE FOR THE PURPOSE OR PURPOSES INTENDED (WHETHER BY THE BUYER OR BY ANY THIRD PARTY) AND THAT THEIR CAPACITY AND PERFORMANCE IS NOT ADVERSELY AFFECTED BY ANY ITEMS USED IN THEIR INSTALLATION (WHERE RELEVANT) AND/OR IN CONNECTION WITH THEM.

WBE Certified - State of Wisconsin - MFR CAGE CODE: 32604

www.reedswitchdevelopments.com