

ORTHO OPTION 270

NEAR SIDE PIN A1 MAPS
TO FAR SIDE PIN A1

MATERIAL NUMBER	# OF COLUMNS	# OF DIFF PAIR	DIM "A"	DIM "B"	DIM "C"
171348-160*	6	24	12.00	10.00	10.40
171348-161*	6	24	13.40	10.00	10.40
171348-162*	6	24	14.80	10.00	10.40
171348-163*	6	24	13.40	10.00	10.40
171348-180*	8	32	16.05	14.05	14.45
76845-181*	8	32	17.45	14.05	14.45
171348-182*	8	32	18.85	14.05	14.45
171348-183*	8	32	17.45	14.05	14.45
171348-110*	10	40	20.10	18.10	18.50
171348-111*	10	40	21.50	18.10	18.50
171348-112*	10	40	22.90	18.10	18.50
171348-113*	10	40	21.50	18.10	18.50

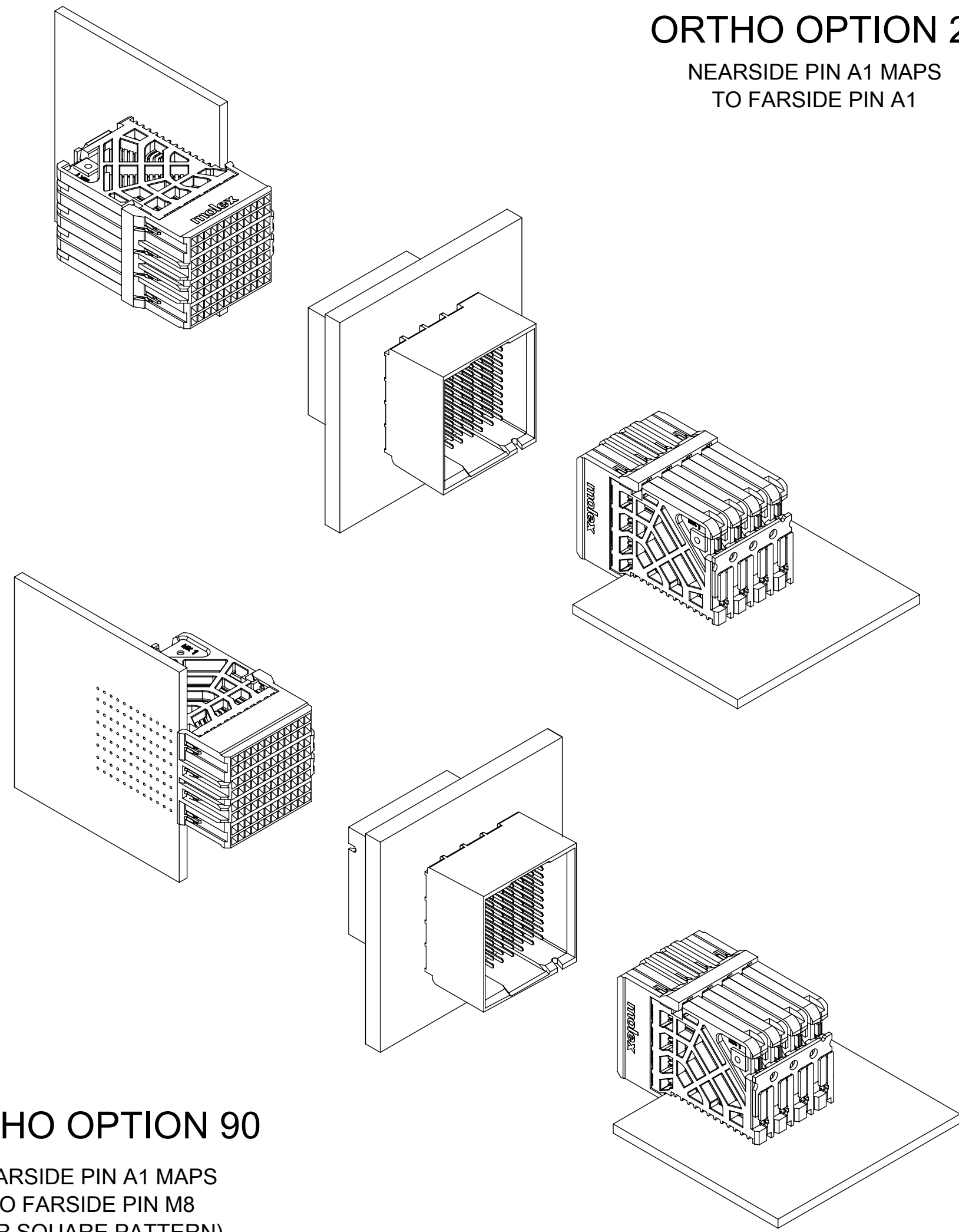
171348-1***

MODULE & TAIL PLATING TYPE
1 = UNGUIDED, MATTE TIN (LEAD-FREE)

PIN LENGTH (P)
4 = 4.90, (0.46 PTH)
5 = 5.50, (0.46 PTH)
7 = 4.90, (0.39 PTH)
8 = 5.50, (0.39 PTH)

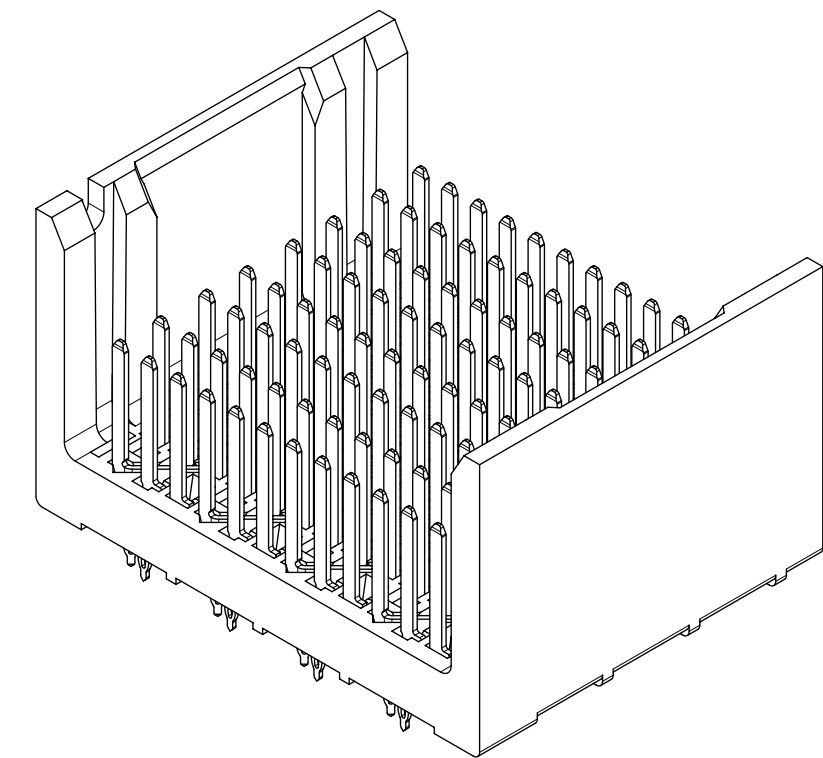
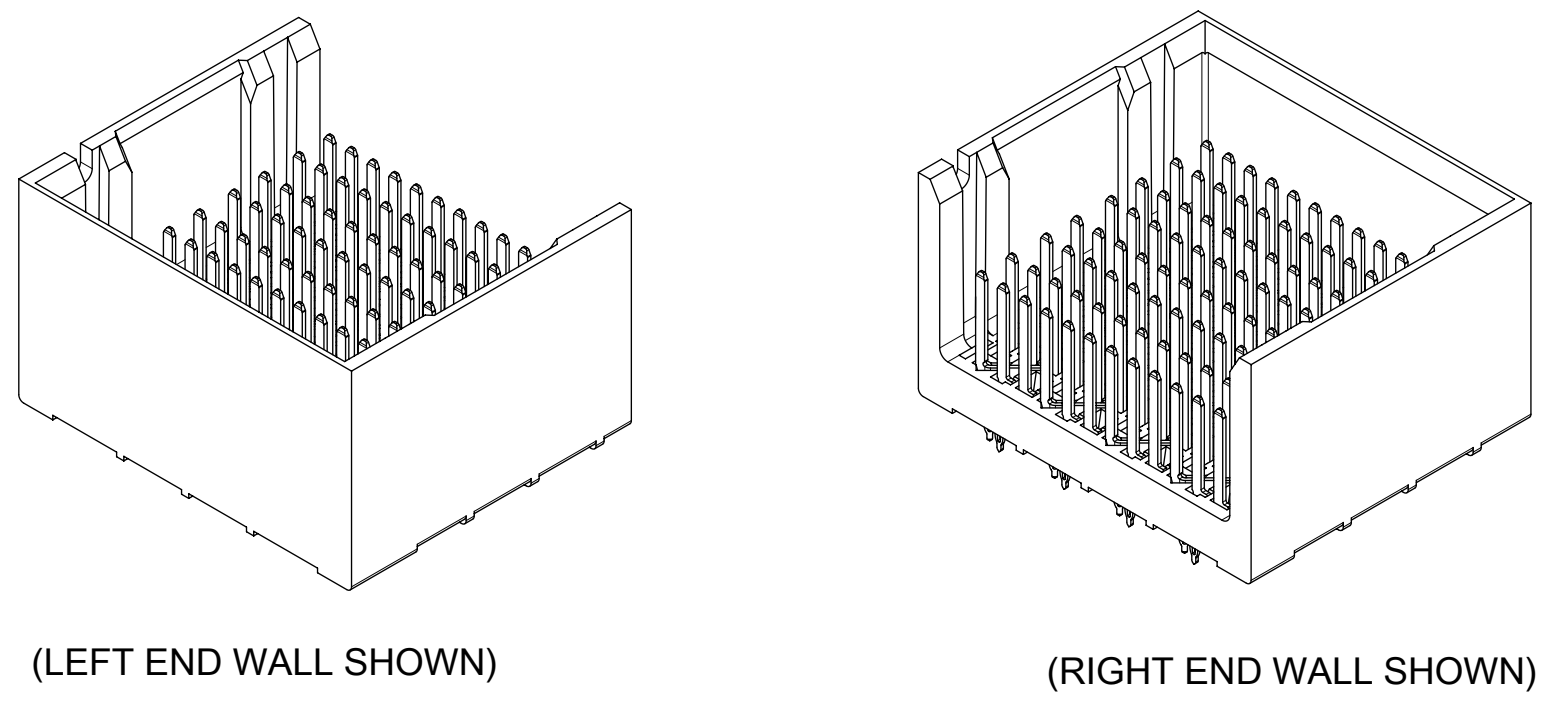
OF COLUMNS
6 = 6 COLUMN
8 = 8 COLUMN
1 = 10 COLUMN

ENDWALL OPTIONS
0 = OPEN ENDS
1 = LEFT ENDWALL
2 = DUAL ENDWALL
3 = RIGHT ENDWALL



ORTHO OPTION 90

NEAR SIDE PIN A1 MAPS
TO FAR SIDE PIN M8
(FOR SQUARE PATTERN)

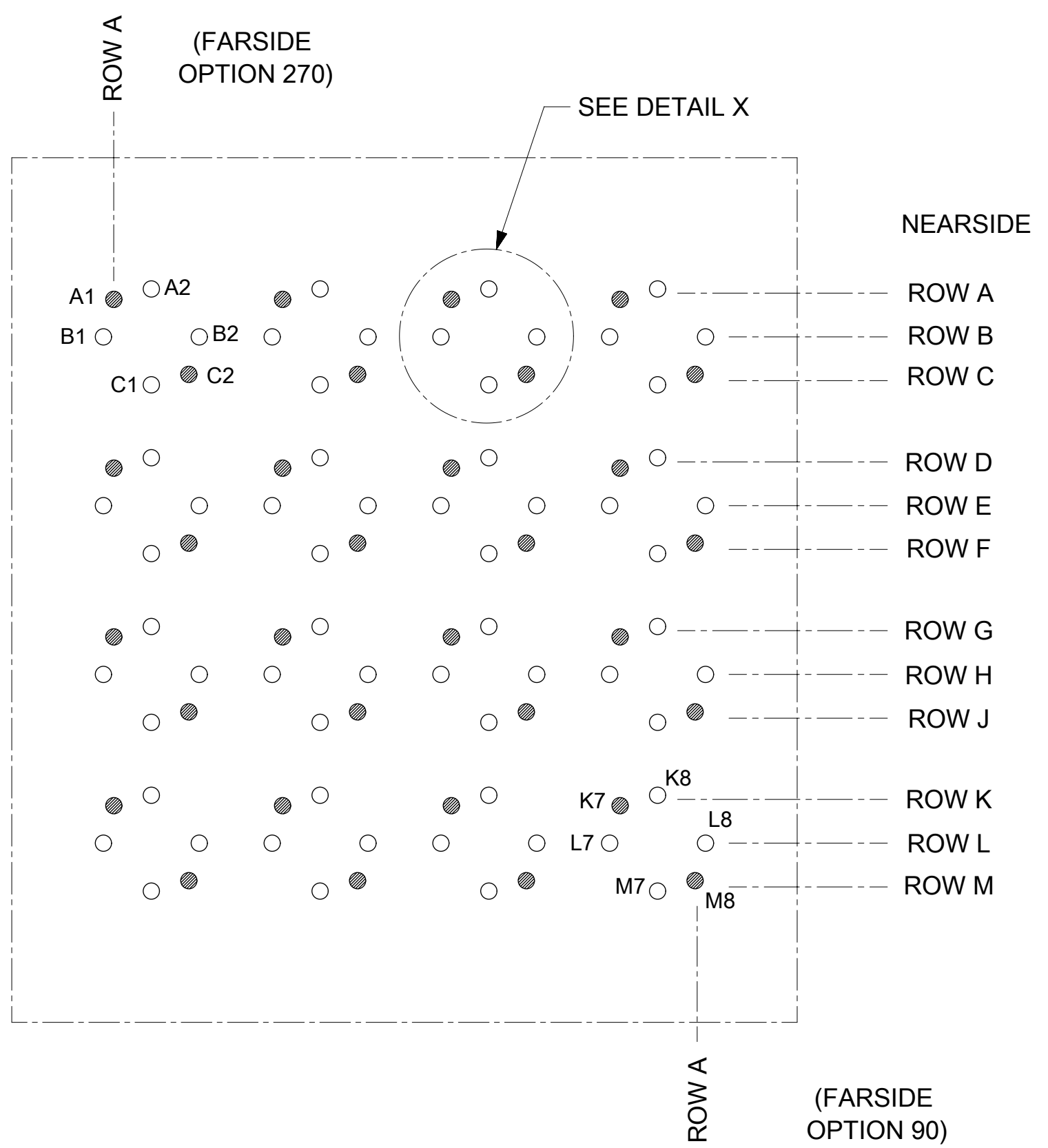


(OPEN END OPTION SHOWN)

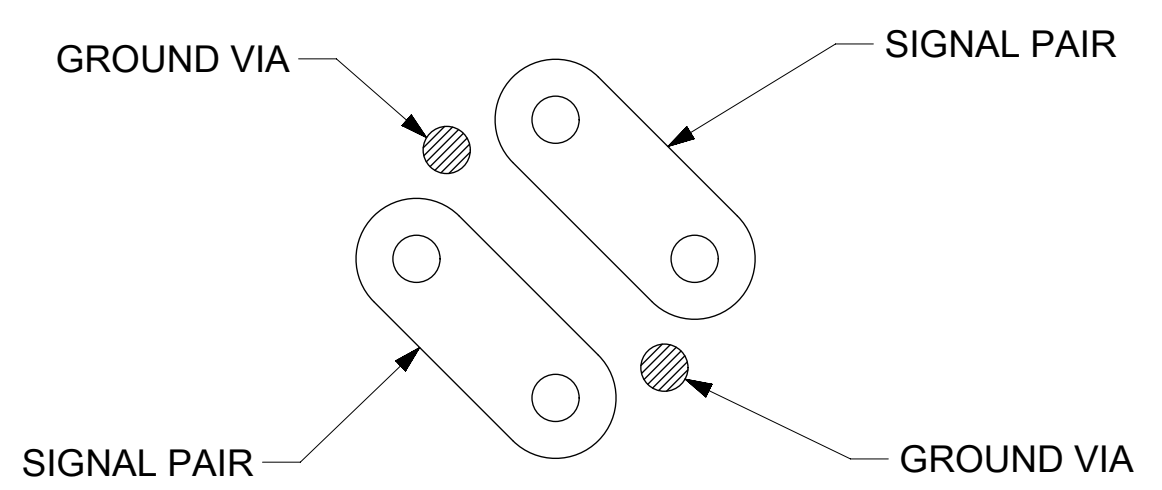
QUALITY SYMBOLS	THIS DRAWING CONTAINS INFORMATION THAT IS PROPRIETARY TO MOLEX ELECTRONIC TECHNOLOGIES, LLC AND SHOULD NOT BE USED WITHOUT WRITTEN PERMISSION										
	MIGRATED TO NX EC NO: 123322 DRWN: NSRVATSAHS CHKD: PRAMASWAMY REV / APPR: PRAMASWAMY 2017/10/06 2017/10/17 2017/10/18	GENERAL TOLERANCES (UNLESS SPECIFIED)			DIMENSION UNITS		SCALE				
ANGULAR TOL ± 0.5 °			mm		1:1						
▽ = 0		4 PLACES ±			DRWN BY		DATE		IMPACT 4 PAIR HEADER ORTHOGONAL ASSEMBLY UNGUIDED SALES DRAWING PRODUCT CUSTOMER DRAWING		
▽ = 0		3 PLACES ±			JMENDOZA		2012/06/04				
▽ = 0		2 PLACES ± 0.13			CHKD BY		DATE				
▼ = 0		1 PLACE ± 0.25			PRAMASWAMY		2017/10/17				
▽ = 0		0 PLACES ±			APPR BY		DATE				
⊠ = 0		DRAFT WHERE APPLICABLE MUST REMAIN WITHIN DIMENSIONS			TELO		2012/06/05		SERIES MATERIAL NUMBER CUSTOMER		
■ = 0					DRAWING SIZE		THIRD ANGLE PROJECTION		171348 SEE CHART GENERAL MARKET		
▽ = 0					C				DOCUMENT NUMBER DOC TYPE DOC PART SHEET NUMBER		
								SD-171348-0001 PSD 001 2 OF 3			

(LEFT END WALL SHOWN)

(RIGHT END WALL SHOWN)



MIDPLANE PCB LAYOUT



ORTHO PIN MAPPING

OPTION 270 (NEARSIDE - FAR SIDE)

A1-A1	A2-B1	A3-D1	A4-E1	A5-G1	A6-H1	A7-K1	A8-L1
B1-A2	B2-C1	B3-D2	B4-F1	B5-G2	B6-J1	B7-K2	B8-M1
C1-B2	C2-C2	C3-E2	C4-F2	C5-H2	C6-J2	C7-L2	C8-M2
D1-A3	D2-B3	D3-D3	D4-E3	D5-G3	D6-H3	D7-K3	D8-L3
E1-A4	E2-C3	E3-D4	E4-F3	E5-G4	E6-J3	E7-K4	E8-M3
F1-B4	F2-C4	F3-E4	F4-F4	F5-H4	F6-J4	F7-L4	F8-M4
G1-A5	G2-B5	G3-D5	G4-E5	G5-G5	G6-H5	G7-K5	G8-L5
H1-A6	H2-C5	H3-D6	H4-F5	H5-G6	H6-J5	H7-K6	H8-M5
J1-B6	J2-C6	J3-E6	J4-F6	J5-H6	J6-J6	J7-L6	J8-M6
K1-A7	K2-B7	K3-D7	K4-E7	K5-G7	K6-H7	K7-K7	K8-L7
L1-A8	L2-C7	L3-D8	L4-F7	L5-G8	L6-J7	L7-K8	L8-M7
M1-B8	M2-C8	M3-E8	M4-F8	M5-H8	M6-J8	M7-L8	M8-M8

ORTHO PIN MAPPING

OPTION 90 (NEARSIDE - FAR SIDE)

A1-M8	A2-L8	A3-J8	A4-H8	A5-F8	A6-E8	A7-C8	A8-B8
B1-M7	B2-K8	B3-J7	B4-G8	B5-F7	B6-D8	B7-C7	B8-A8
C1-L7	C2-K7	C3-H7	C4-G7	C5-E7	C6-D7	C7-B7	C8-A7
D1-M6	D2-L6	D3-J6	D4-H6	D5-F6	D6-E6	D7-C6	D8-B6
E1-M5	E2-K6	E3-J5	E4-G6	E5-F5	E6-D6	E7-C5	E8-A6
F1-L5	F2-K5	F3-H5	F4-G5	F5-E5	F6-D5	F7-B5	F8-A5
G1-M4	G2-L4	G3-J4	G4-H4	G5-F4	G6-E4	G7-C4	G8-B4
H1-M3	H2-K4	H3-J3	H4-G4	H5-F3	H6-D4	H7-C3	H8-A4
J1-L3	J2-K3	J3-H3	J4-G3	J5-E3	J6-D3	J7-B3	J8-A3
K1-M2	K2-L2	K3-J2	K4-H2	K5-F2	K6-E2	K7-C2	K8-B2
L1-M1	L2-K2	L3-J1	L4-G2	L5-F1	L6-D2	L7-C1	L8-A2
M1-L1	M2-K1	M3-H1	M4-G1	M5-E1	M6-D1	M7-B1	M8-A1

NOTE: PINOUTS SHOWN IN BALLOONS ARE GROUNDS.
PINOUTS SHOWN ARE FOR SQUARE (8 COLUMN) PATTERN ONLY.

QUALITY SYMBOLS	THIS DRAWING CONTAINS INFORMATION THAT IS PROPRIETARY TO MOLEX ELECTRONIC TECHNOLOGIES, LLC AND SHOULD NOT BE USED WITHOUT WRITTEN PERMISSION		GENERAL TOLERANCES (UNLESS SPECIFIED)		DIMENSION UNITS		SCALE				
▽ = 0	MIGRATED TO NX		ANGULAR TOL ± 0.5 °		mm		4:1				
▽ = 0	EC NO: 123922		4 PLACES ±		DRWN BY		DATE		IMPACT 4 PAIR HEADER ORTHOGONAL ASSEMBLY UNGUIDED SALES DRAWING		
▽ = 0	DRWN: NSRVATSAHS		3 PLACES ±		JMENDOZA		2012/06/04				
▽ = 0	CHKD: PRAMASWAMY		2 PLACES ± 0.13		CHKD BY		DATE		PRODUCT CUSTOMER DRAWING		
▽ = 0	REV APPR: PRAMASWAMY		1 PLACE ± 0.25		PRAMASWAMY		2017/10/17				
▽ = 0	A2		0 PLACES ±		APPR BY		DATE		SERIES: 171348 MATERIAL NUMBER: SEE CHART CUSTOMER: GENERAL MARKET		
▽ = 0			DRAFT WHERE APPLICABLE MUST REMAIN WITHIN DIMENSIONS		TELO		2012/06/05				
▽ = 0					DRAWING SIZE		THIRD ANGLE PROJECTION		DOCUMENT NUMBER: SD-171348-0001 DOC TYPE: PSD DOC PART: 001 SHEET NUMBER: 3 OF 3		
▽ = 0					C						